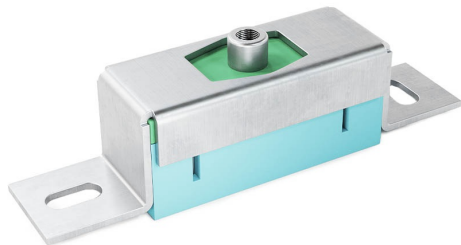


Anti vibration
mounts

AKUSTIK + SYLOMER WF

AMC
MECANOCAUCHO
NOISE AND
VIBRATION
SOLUTIONS



A range designed for the suspension of loudspeakers, electrical panels, air conditioning equipment, etc.


These mounts are also suitable for insulating standpipes, or any type of lightweight ductwork that requires insulation.

They have a robust metal structure that is "FAIL SAFE" overload proof.

TECHNICAL CHARACTERISTICS

Contact the technical department to select the suitable mount for your case.



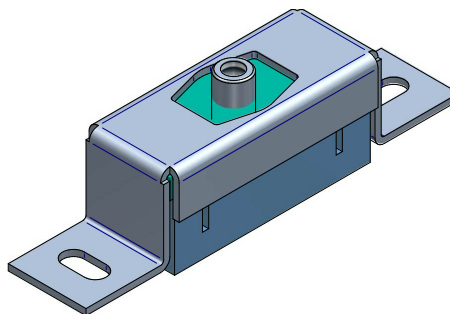
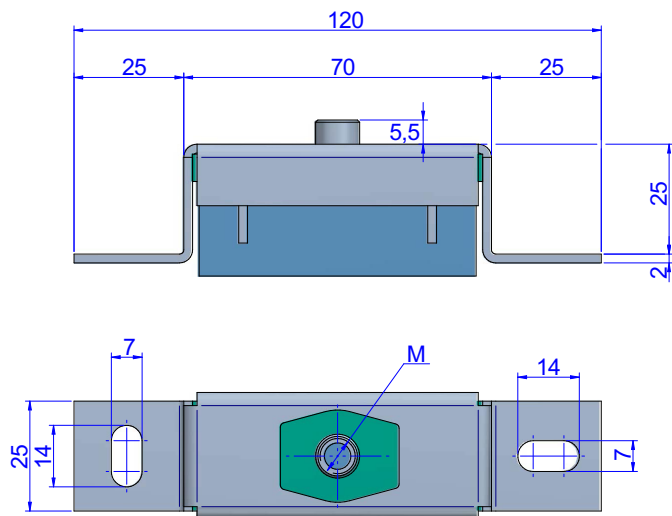
 AMC MECANOCAUCHO
Industrialdea Zona A - Pab. 35.
Asteasu E-20159, Gipuzkoa
Spain

 Tel.: +34 943 69 61 02
Fax: +34 943 69 62 19

 sales@amcsa.es

 www.mecanocaucho.com
www.akustik.com

DRAWINGS



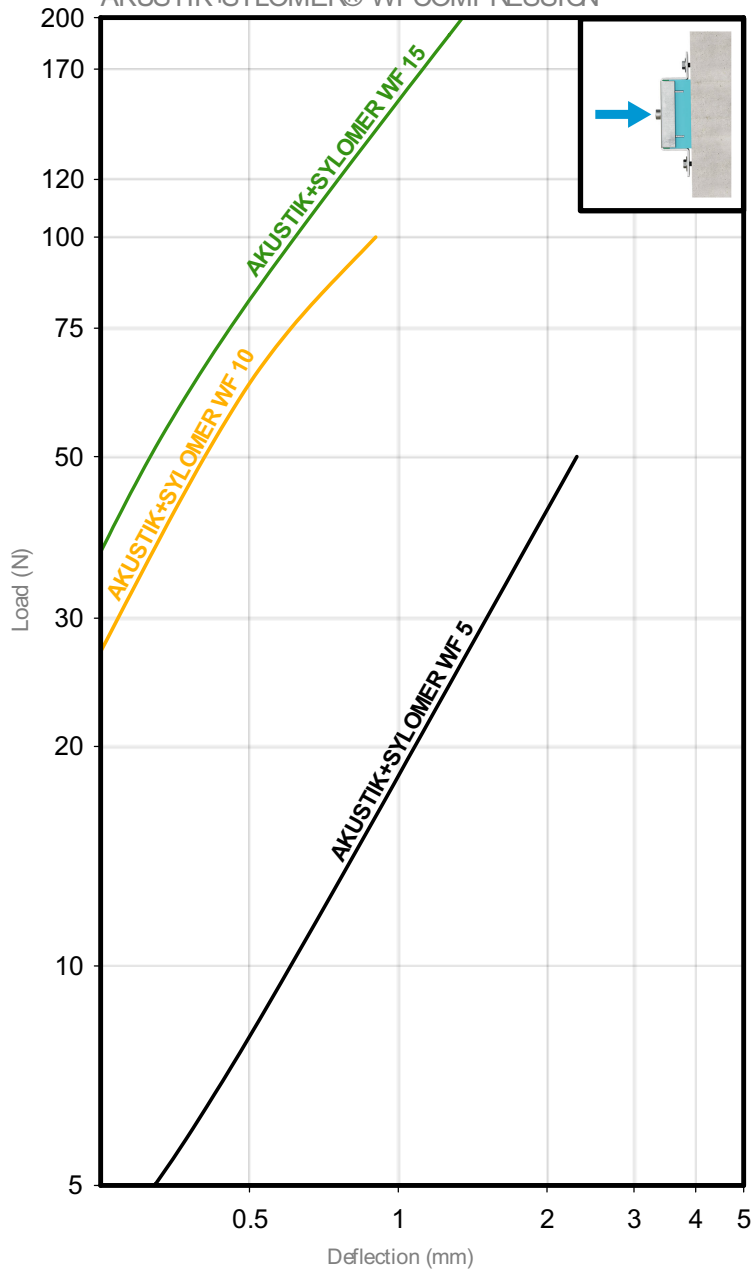
Contact the technical department to select the suitable mount for your case.

DIMENSIONS

| Type | Max. Load (kg) | M | Weight (gr) | Code |
|-------------------------|----------------|----|-------------|-------|
| Akustik + Sylomer WF 5 | 2.5-5 | M6 | 119 | 23805 |
| | | M8 | 119 | 23806 |
| Akustik + Sylomer WF 10 | 5-10 | M6 | 124 | 23807 |
| | | M8 | 124 | 23808 |
| Akustik + Sylomer WF 15 | 10-15 | M6 | 127 | 23809 |
| | | M8 | 127 | 23810 |

Elastical properties

LOAD DEFLECTION CURVES
AKUSTIK+SYLOMER® WFCOMPRESSION



LOAD DEFLECTION CURVES
AKUSTIK+SYLOMER® WFSHEAR

