

# MUNICIPAL CATALOG

2024 Rev. 2 06/01/2024



**Blue-White**<sup>®</sup>

**Revision 1 update(03/25/24) includes the following modifications and updates:**

1. CO<sup>2</sup> Feed System now includes injector with standard shipment.
2. Tube Tool no longer provided with pumps (exception M2 pump)
3. Changes to fittings provided with MD3 pump. Options added to part number matrix.
4. Spares Kits added to MD3 pump.
5. MD1 Standoff part number change.(Replace part #76001-966 with #90018-087)
6. New “Elbow” adapter options offered on MD1 pump. Revised part number matrix with options for installed adapters on pumps.
7. Additional adapter kits added to MD1 spare parts.
8. Skid Fittings (pump to skid) page added. Required kit when ordering skid with pumps that include “M” or “F” connectors.
9. Added F-1000 / F-2000 flow rate info to page 58, 60.
10. Added EP O-rings to flow meter spare parts.

**Revision 2 update (07/01//24) includes the following modifications and updates:**

1. Added spare parts for F-300M.
3. Added A-100NP Polymer Pump.
4. Added ordering notes to Skid matrices.



+1 (714) 893 - 8529



[sales@blue-white.com](mailto:sales@blue-white.com)



[customerservice@blue-white.com](mailto:customerservice@blue-white.com)



5300 Business Drive  
Huntington Beach, CA 92649

# Table of Contents

---

**POLICY 4**

---

---

**PERISTALTIC PUMPS 5**

---

---

M1 6

---

---

M2 8

---

---

M3 10

---

---

M4 12

---

---

M5 14

---

---

A100NFP / A100NVP (Polymer) 16

---

---

Peristaltic Pump Warranty 18

---

---

**DIAPHRAGM PUMPS 19**

---

---

C2 20

---

---

C3 22

---

---

MD1 24

---

---

MD3 26

---

---

Diaphragm Pump Warranty 28

---

---

**SKID SYSTEMS 29**

---

---

**Plastic**

---

---

CFPS-1 30

---

---

CFPS-2 32

---

---

CFPS-3 34

---

---

**Wall**

---

---

CFWS-1 36

---

---

CFWS-2 38

---

---

**Metal**

---

---

CFS-1 40

---

---

CFS-2 42

---

---

Skid Adapter Kits 44

---

---

Skid System Warranty 46

---

---

**ANALYZER PANELS 47**

---

---

APFCL Chlorine Analyzer 48

---

---

APNTU Turbidity Analyzer 50

---

---

APH2O Multi-Parameter Analyzer 52

---

---

Analyzer Panel Warranty 54

---

---

**FLOW METERS 57**

---

---

**Ultrasonic Flow Meters**

---

---

MS6 58

---

---

**Paddlewheel Flow Meters**

---

---

Micro-Flo 60

---

---

F-1000 62

---

---

F-2000 64

---

---

**Variable Area Flow Meters**

---

---

F-300 66

---

---

F-300M 68

---

---

F-400 70

---

---

F-410 72

---

---

F-420 74

---

---

F-430 76

---

---

F-550 78

---

---

F-440 80

---

---

F-450 82

---

---

F-451 84

---

---

F-452 86

---

---

F-460 88

---

---

F-461 90

---

---

F-462 92

---

---

Flow Meter Warranty 94

---

---

**TANKS AND ACCESSORIES 95**

---

---

STAR III TANK 96

---

---

CHEMICAL TANK 97

---

---

ACCESSORIES 98

---

---

**CO<sub>2</sub> FEED SYSTEM 101**

---

---

**REPLACEMENT PARTS 107**

---

# POLICY

## DEALERS

Please contact the factory for the stocking outlet nearest you.

## MINIMUM ORDER

The minimum acceptable order is \$150.00. There are no exceptions.

## TERMS

Terms are NET 30 DAYS on approved credit. We do not ship orders to accounts with past-due balances. If you have not established open account terms with Blue-White, you may prepay your order or pay with a credit card. All major credit cards are accepted.

## PAYMENT POLICY

Net amount of invoice is due in full according to terms. A service charge of 1.5% will be added to outstanding balances beyond the term limit.

Any account over 45 days will be subject to credit hold.

## FREIGHT

For all allowable items, our normal means of shipment is via United Parcel Service. Should you wish an alternate means of shipment, you must advise the factory at the time you place your order. All shipments ship Ex Works. Buyer assumes all responsibilities for transit and delivery.

## RETURNED GOODS

Any merchandise being returned to the factory, regardless of the reason for the return, must have a Returned Merchandise Authorization number. Contact our in-house sales staff for an RMA number. The factory does not accept C.O.D. shipments.

All returns are subject to a restock charge.

Blue-White does not permit the return of products because of overstock, discontinued products, etc. Under no circumstance will the factory consider the return of products over six months old from date of original factory shipment.

## ORDER ADD-ON

Please be certain your order is complete when placed. Since orders are immediately entered into the computer as received, we may not be able to "add-on" later. Your understanding of this situation, and your cooperation are most appreciated. Any changes to a current order may result in extended lead times.

Possession of this price schedule does not guarantee the right to purchase directly from the factory. F.O.B. Huntington Beach, CA

See instruction manual at [www.blue-white.com](http://www.blue-white.com) for detailed installation and operating requirements.

## PROCEDURE FOR IN WARRANTY REPAIR

Warranty service must be performed by the factory or an authorized service center. Contact the factory or local repair center to obtain a RMA (Return Material Authorization) number. It is recommended to include foot strainer and injection/check valve fitting since these devices may be clogged and part of the problem. Decontaminate, dry, and carefully pack the product to be repaired. Please enclose a brief description of the problem and proof of purchase. Prepay all shipping and insurance cost. COD shipments will not be accepted. Damage caused by improper packaging is the responsibility of the sender. When In-Warranty repair is completed, the factory pays for return shipping to the dealer or customer.

## PRODUCT USE WARNING

Blue-White products are manufactured to meet the highest quality standards in the industry. Each product instruction manual includes a description of the associated product warranty and provides the user with important safety information. Purchasers, installers, and operators of Blue-White products should take the time to inform themselves about the safe operation of these products. In addition, Customers are expected to do their own due diligence regarding which products and materials are best suited for their intended applications. BLUE-WHITE is pleased to assist in this effort but does not guarantee the suitability of any particular product for any specific application as Blue-White does not have the same degree of familiarity with the application that the customer/end user has. While BLUE-WHITE will honor all of its product warranties according to their terms and conditions, Blue-White shall only be obligated to repair or replace its defective parts or products in accordance with the associated product warranties.

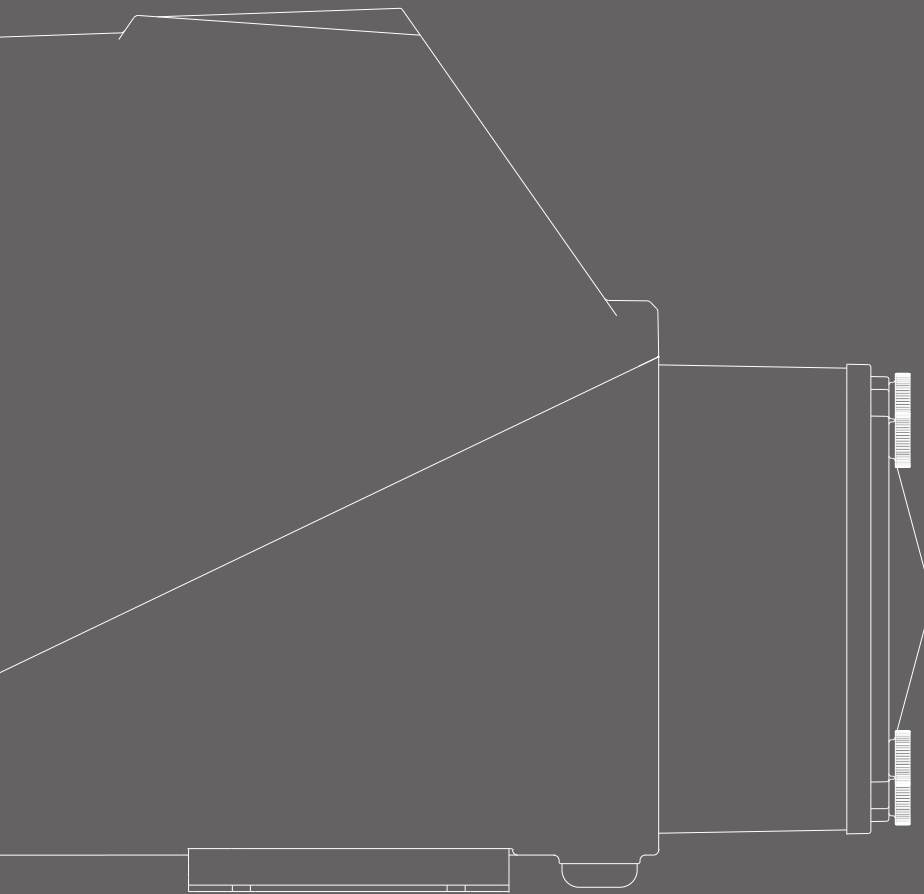
**BLUE-WHITE SHALL NOT BE LIABLE EITHER IN TORT OR IN CONTRACT FOR ANY LOSS OR DAMAGE WHETHER DIRECT, INDIRECT, INCIDENTAL, OR CONSEQUENTIAL, ARISING OUT OF OR RELATED TO THE FAILURE OF ANY OF ITS PARTS OR PRODUCTS OR OF THEIR UNSUITABILITY FOR A GIVEN PURPOSE OR APPLICATION.**

## CHEMICAL RESISTANCE WARNING

BLUE-WHITE offers a wide variety of wetted parts. Purchasers, installers, and operators of Blue-White products must be well informed and aware of the precautions to be taken when injecting or measuring various chemicals, especially those considered to be irritants, contaminants or hazardous. Customers are expected to do their own due diligence regarding which products and materials are best suited for their applications, particularly as it may relate to the potential effects of certain chemicals on Blue-White products and the potential for adverse chemical interactions. Blue-White tests its products with water only. The chemical resistance information included in this instruction manual was supplied to BLUE-WHITE by reputable sources, but Blue-White is not able to vouch for the accuracy or completeness thereof. While BLUE-WHITE will honor all of its product warranties according to their terms and conditions, Blue-White shall only be obligated to repair or replace its defective parts or products in accordance with the associated product warranties.

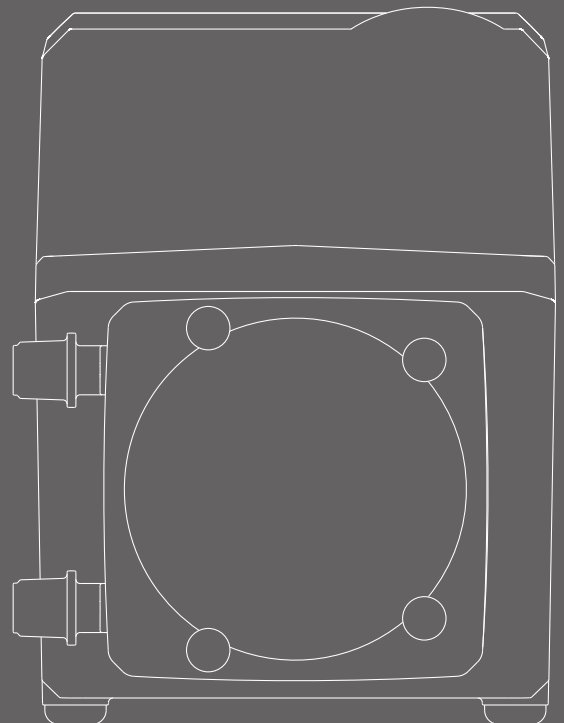
**BLUE-WHITE SHALL NOT BE LIABLE EITHER IN TORT OR IN CONTRACT FOR ANY LOSS OR DAMAGE, WHETHER DIRECT, INDIRECT, INCIDENTAL, OR CONSEQUENTIAL, ARISING OUT OF OR RELATED TO THE USE OF CHEMICALS IN CONNECTION WITH ANY BLUE-WHITE PRODUCTS.**

Users of electrical and electronic equipment (EEE) with the WEEE marking per Annex IV of the WEEE Directive must not dispose of end of life EEE as unsorted municipal waste, but use the collection framework available to them for the return, recycle, recovery of WEEE and minimize any potential effects of EEE on the environment and human health due to the presence of hazardous substances. The WEEE marking applies only to countries within the European Union (EU) and Norway. Appliances are labeled in accordance with European Directive 2002/96/EC. Contact your local waste recovery agency for a Designated Collection Facility in your area.



# MUNICIPAL

Peristaltic  
Metering Pumps



**Blue-White**<sup>®</sup>

# M1

## FLEXFLO® Peristaltic Metering Pump



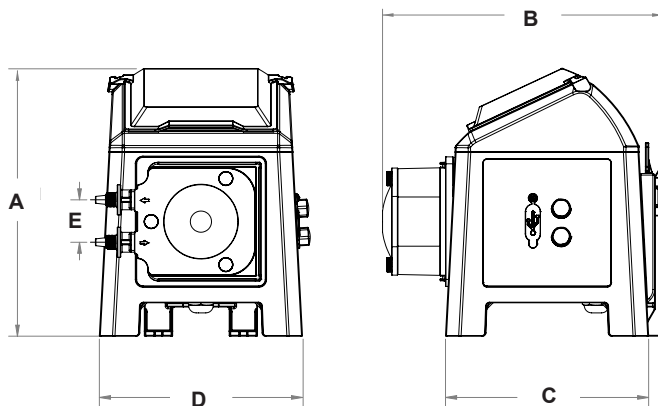
- > Tube Failure Detection senses tube rupture, no false triggering
- > Heavy duty display shield protects pump controls
- > Remote Start/Stop, which is one non-powered dry contact closure
- > Relay outputs include a single 250V/3A and a single solid state
- > SCADA I/O include: 4-20 mA input, 4-20 mA output

### Highlights

<b>Flow range</b> .0001 – 5.60 GPH .0004 – 21.2 LPH	<b>Pressures up to</b> 100 PSI (6.89 bar)	<b>Turndown ratio</b> 10,000 : 1	<b>Suction lift</b> 30 ft. (at sea level)
<b>Exclusive</b> Tube Failure Detection (TFD+)	<b>Motor</b> Brushless DC	<b>Pump Weight</b> 6 lb. (2.7 kg)	<b>Warranty</b> 5 Years

### Dimensions

Dim	Inch	cm	Dim	Inch	cm
A	9"	22.9	D	7.25"	19.6
B	10"	25.2	E	2.5"	18.5
C	7.75"	19.6			



### What's in the box

M1 Peristaltic Metering Pump w/ removable power cord.  
 Two tube assemblies (One installed, one spare)  
 Mounting hardware kit / Rear bracket  
 Display shield  
 Instruction Manual  
**Optional Accessories Not included (ordered separately):** Suction tubing/Discharge tubing, Injection Valves, Suction strainer, M12 communication cables, or Wall Mount Bracket.




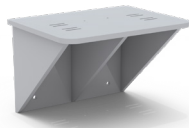





# Model Number Matrix

## FLEXFLO® Model Number

M1

<b>M1</b>	FLEXFLO® Peristaltic Metering Pump				
<b>Power Cord (Operating voltage requirement 96VAC to 264VAC)</b>					
<b>4</b>	115V 50/60Hz, power cord NEMA 5/15 plug (US) (detachable - 6 ft)				
<b>6</b>	220V 50/60Hz, power cord CEE 7/11 plug (EU) (detachable - 6 ft)				
<b>X</b>	No Power Cord (Power cord is required - See accessories for power cord options)				
<b>Pump Tube Size and Material</b>					
<b>1</b>	1/4" OD Flex-A-Thane®   0.0001 - 1.09 GPH   .0069 - 69 mL/Min   65 PSI (4.5 bar)				
<b>3</b>	7/16" OD Flex-A-Thane®   0.0005 - 5.60 GPH   .0353 - 353 mL/Min   50 PSI (3.45 bar)				
<b>4</b>	1/4" OD Flex-A-Prene®   0.0001 - 0.44 GPH   .0028 - 28 mL/Min   100 PSI (6.89 bar)				
<b>6</b>	3/8" OD Flex-A-Prene®   0.0001 - 1.35 GPH   .0085 - 85 mL/Min   100 PSI (6.89 bar)				
<b>7</b>	7/16" OD Flex-A-Prene®   0.0004 - 4.17 GPH   .0263 - 263 mL/Min   50 PSI (3.45 bar)				
<b>8</b>	7/16" OD Flex-A-Chem®   0.0003 - 3.09 GPH   .0195 - 195 mL/Min   50 PSI (3.45 bar)				
<b>Inlet/Outlet Connection Size, Connection Type</b>					
<b>T</b>	3/8" OD x 1/4" ID Tube Compression Fitting				
<b>M</b>	1/2" Male NPT Fitting				
<b>MB</b>	1/2" Male BSPT Fitting, Natural PVDF (Kynar)				
<b>M1</b>	<b>4</b>	<b>-</b>	<b>1</b>	<b>T</b>	<b>Sample Model Number</b>

## Accessories

 <p><b>KIT-S07</b> <b>KIT-S15</b> <b>KIT-S30</b></p> <p>* Includes cover and foot valve</p> <p>KIT-S07 (7 Gallon), KIT-S15 (15 Gallon), KIT-S30 (30 Gallon) STAR III TANKS, PP</p>	 <p><b>KIT-PSM</b> WALL MOUNT BRACKET, HDPE</p>	 <p><b>CABLE-UAC</b> USB A-C CABLE - 3 ft</p>
<p>90010-663 115V/60Hz NEMA 5/15 90010-664 220V/50Hz CEE 7/11 90010-665 230V/50Hz BS 1363/A 90010-666 240V/50Hz AS 3112 90010-696 230V/60Hz NEMA 6/15 90010-821 115V Lockable</p> <p><b>POWER CABLES - 6 ft</b></p>	 <p><b>KIT-M12</b> TWO M12 CABLES - 9.8 ft</p>	 <p><b>A-014NK-6A</b> PVDF INJECTOR, 1/4" ID tubing</p>
 <p><b>C-334-6 (5 ft)</b> 1/4" x 3/8 clear PVC suct. tubing</p>	 <p><b>C-335-6 (5 ft)</b> 1/4" x 3/8" PE disch. tubing</p>	<p><b>Visit Accessory Pages for More Options</b></p>

# M2

## FLEXFLO® Peristaltic Metering Pump



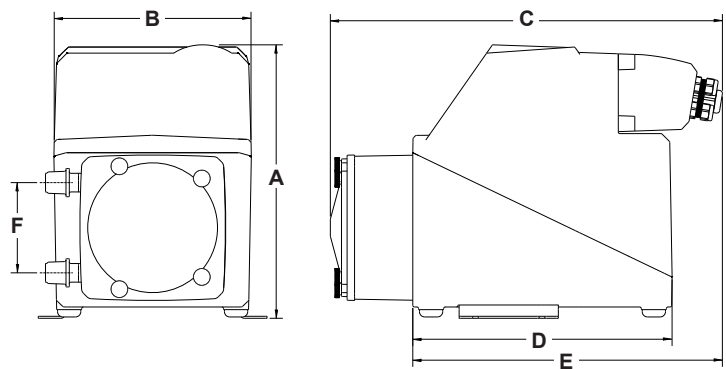
- > Peristaltic pump design does not have valves that can clog requiring maintenance
- > Self priming - even against maximum line pressure
- > Patented Tube Failure Detection (TFD) senses tube failure by detecting chemical in the pump head, no false triggering
- > SCADA Inputs/Outputs include: 4-20mA input, Pulse Input, Frequency Input, 4-20ma output, TFD alarm output

### Highlights

<b>Flow range</b> .0085 - 21.23 GPH .032 - 80.4 LPH	<b>Pressures up to</b> 125 PSI (8.6 bar)	<b>Turndown ratio</b> 200 : 1	<b>Suction lift</b> 30 ft. (at sea level)
<b>Exclusive</b> Tube Failure Detection (TFD)	<b>Motor</b> Brushed DC Motor	<b>Pump Weight</b> 28.4 lb. (12.9 kg)	<b>Warranty</b> 5 Years

### Dimensions

Dim	Inch	cm	Dim	Inch	cm
A	10-1/4"	26	D	9-1/2"	24.1
B	7-1/2"	19	E	11"	27.9
C	14"	35.6	F	3-3/8"	8.6



### What's in the box

M2 Peristaltic Metering Pump  
 Two tube assemblies (One installed, one spare)  
 Tube installation tool  
 Mounting hardware kit (Includes Standard and Extended Mounting Brackets)  
 USB Drive (Operating Manual)  
**Optional Accessories Not included (ordered separately):** Suction tubing/Discharge tubing, Injection Valves, Suction strainer, Quick Disconnect fittings, communication cables, or Wall Mount Bracket.





# Model Number Matrix

M2

## FLEXFLO® Model Number

**M2** FLEXFLO® Peristaltic metering pump model number

### Power Cord (operating voltage user selectable 115V/240 Vac 50/60Hz)

<b>4</b>	115V / 60Hz, power cord NEMA 5/15 plug (US)	<b>8</b>	240V / 50HZ, power cord AS 3112 plug (AU/New Zealand)
<b>5</b>	230V / 60Hz, power cord NEMA 6/15 plug (US)	<b>9</b>	230V / 50HZ, power cord BS 1363/A plug (United Kingdom)
<b>6</b>	220V / 50HZ, power cord CEE 7/VII plug (EU)	<b>X</b>	No Power Cord

### Inlet/Outlet Connection Size, Connection Type, Connection Material

<b>S</b>	3/8" OD x 1/4" ID Tube Compression Fitting, Natural PVDF (Kynar)	<b>C</b>	1/2" - 3/4" Tri-clamp connections, Natural PVDF (Kynar), available for ND, NEE, NGG, and G2G only
<b>M</b>	1/2" Male NPT Fitting, Natural PVDF (Kynar)	<b>Q</b>	Quick Disconnect, Natural PVDF (Kynar), available for NDD, NEE, NGG, and G2G only (valves sold separately)
<b>B</b>	1/2" Hose Barb, Natural PVDF (Kynar), available for ND, NEE, NGG, and G2G only	<b>MB</b>	1/2" Male BSPT Fitting, Natural PVDF (Kynar)

### Pump Tube Material, Pump Tube Size, Output Range NOTE: \* = Dual tube


<b>ND</b>	Flex-A-Prene® .075 ID   0.01-1.7 GPH   .03-6.5 LPH   .54-108 mL/M   125 PSI
<b>NEE*</b>	Flex-A-Prene® .093 ID   0.022-4.44 GPH   .084-16.8 LPH   1.4-280 mL/M   110 PSI
<b>NGG*</b>	Flex-A-Prene® .187 ID   0.086-17.2 GPH   .325-65.1 LPH   5.4-1085 mL/M   110 PSI
<b>GE</b>	Flex-A-Thane® .125 ID   0.02-4.0 GPH   .08-15.2 LPH   1-253 mL/M   65 PSI
<b>GG</b>	Flex-A-Thane® .187 ID   0.05-9.3 GPH   .17-35.2 LPH   3-587 mL/M   65 PSI
<b>G2G*</b>	Flex-A-Thane® .187 ID   0.07-14.98 GPH   .03-56.7 LPH   4.7-945 mL/M   65 PSI
<b>GH</b>	Flex-A-Thane® .312 ID   0.106-21.23 GPH   .04-80.4 LPH   6.7-1340 mL/M   65 PSI
<b>TH</b>	Flex-A-Chem® .250 ID   0.07-14.3 GPH   .27-54 LPH   4.5-900 mL/M   50 PSI

### Pumphead Orientation

<b>(Blank)</b>	Standard - Left facing
<b>R</b>	Right facing pumphead
<b>D</b>	Down facing pumphead

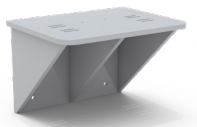
<b>M2</b>	<b>2</b>	<b>4</b>	<b>S</b>	<b>ND</b>	<b>R</b>	<b>Sample Model Number</b>
-----------	----------	----------	----------	-----------	----------	----------------------------

## Accessories



1/4" x 3/8" "S" Fitting  
1/2" Hose Barb "B" Fitting  
1/2" MNPT "M" Fitting

<b>Quick Disconnects</b>	*KIT-QSV FKM O-rings *KIT-QSE EP O-rings *KIT-QSA Aflas O-rings	*KIT-QBV FKM *KIT-QBE EP *KIT-QBA Aflas	*KIT-QMV FKM *KIT-QME EP *KIT-QMA Aflas
--------------------------	---	---	---



**KIT-PSM**  
Wall Mount Bracket, HDPE

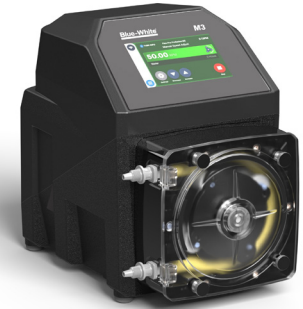


**A-014NK-6A**  
Injector, PVDF, 1/4" "S" Conn.

Visit Accessory Pages for More Options

# M3

## FLEXFLO® Peristaltic Metering Pump



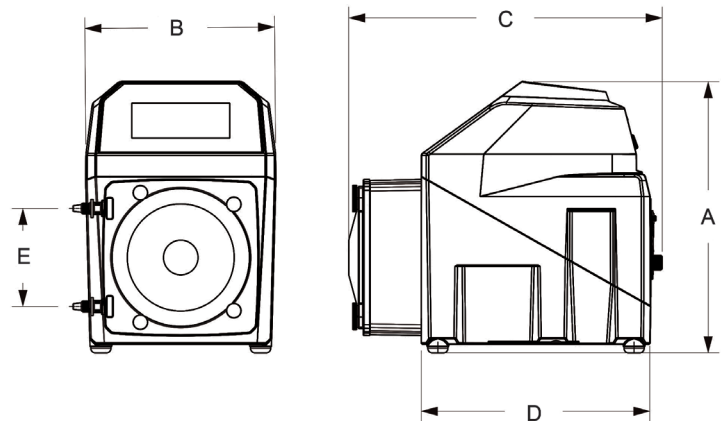
- > 5" touchscreen color LCD display
- > User-friendly configurations
- > Self priming peristaltic metering pump delivers smooth chemical feed
- > Tube Failure Detection (TFD) system senses tube failure
- > Inputs include: 4-20mA, Remote Start/Stop, Pulse Inputs, Industrial Protocols
- > Outputs include: 4-20mA, Frequency, (4) Alarm Outputs, Industrial Protocols

### Highlights

<b>Flow range</b> .0002 - 33.3 GPH .0007 - 126 LPH	<b>Pressures up to</b> 125 PSI (8.6 bar)	<b>Turndown ratio</b> 10,000 : 1	<b>Suction lift</b> 30 ft. (at sea level)
<b>Exclusive</b> Tube Failure Detection (TFD)	<b>Motor</b> Brushless DC Motor	<b>Pump Weight</b> 25.4 lb. (11.5 kg)	<b>Warranty</b> 5 Years

### Dimensions

Dim	Inch	cm	Dim	Inch	cm
A	11-3/4"	29.8	D	10.5"	26.5
B	8-1/4"	20.9	E	4-1/4"	10.8
C	13-1/2"	34.5			



### What's in the box

- M3 Peristaltic Metering Pump w/ removable power cord
- Two tube assemblies (1 installed, 1 spare)
- Tube installation tool
- Mounting hardware kit (Includes Standard and Extended Mounting Brackets)
- QR Code link to Operating Manual
- Optional Accessories Not included (ordered separately):** Suction tubing/Discharge tubing, Injection Valves, Suction strainer, Quick Disconnect fittings, M12 communication cables, Ethernet/Modbus cables, or Wall Mount Bracket.

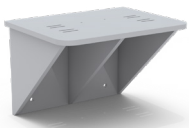


# Model Number Matrix

## FLEXFLO® Model Number

<b>M3</b>	FLEXFLO® Peristaltic metering pump							
<b>Power Cord (operating voltage user selectable 115V/240 Vac 50/60Hz)</b>								
<b>4</b>	115V / 60Hz, power cord NEMA 5/15 plug (US)							
<b>6</b>	220V / 50HZ, power cord CEE 7/VII plug (EU)							
<b>X</b>	No Power Cord							
<b>Inlet/Outlet Connection Size, Connection Type, Connection Material</b>								
<b>S</b>	3/8" OD x 1/4" ID Tube Compression Fitting, Natural PVDF (Kynar)							
<b>M</b>	1/2" Male NPT Fitting, Natural PVDF (Kynar)							
<b>B</b>	1/2" Hose Barb, Natural PVDF (Kynar), available for ND, NEE, NGG, NKL, and G2G only							
<b>C</b>	1/2" - 3/4" Tri-clamp connections, Natural PVDF (Kynar), available for ND, NEE, NGG, NKL, and G2G only							
<b>Q</b>	Quick Disconnect, Natural PVDF (Kynar), available for ND, NEE, NGG, NKL, and G2G only. (valves sold separately)							
<b>MB</b>	1/2" Male BSPT Fitting, Natural PVDF (Kynar)							
<b>Pump Tube Material, Pump Tube Size, Output Range</b> <b>NOTE: * = Dual tube</b>								
<b>ND</b>	Flex-A-Prene® .075 ID   .0002–2.10 GPH   125 PSI	<b>GE</b>	Flex-A-Thane® .125 ID   .0004–4.60 GPH   65 PSI					
<b>NEE*</b>	Flex-A-Prene® .093 ID   .0004–4.76 GPH   110 PSI	<b>GG</b>	Flex-A-Thane® .187 ID   .0010–10.1 GPH   65 PSI					
<b>NGG*</b>	Flex-A-Prene® .187 ID   .0019–19.02 GPH   110 PSI	<b>G2G*</b>	Flex-A-Thane® .187 ID   .0018–18.23 GPH   65 PSI					
<b>NHL</b>	Flex-A-Prene® .250 ID   .0017–17.4 GPH   65 PSI	<b>GH</b>	Flex-A-Thane® .312 ID   .0024–24.9 GPH   65 PSI					
<b>NK</b>	Flex-A-Prene® .375 ID   .0033–33.3 GPH   125 PSI	<b>GK</b>	Flex-A-Thane® .375 ID   .0028–28.5 GPH   65 PSI					
<b>NKL</b>	Flex-A-Prene® .375 ID   .0033–33.3 GPH   30 PSI	<b>TH</b>	Flex-A-Chem® .250 ID   .0015–15.06 GPH   50 PSI					
		<b>TK</b>	Flex-A-Chem® .375 ID   .0028–28.5 GPH   50 PSI					
<b>Pumphead Orientation</b>								
<b>(Blank)</b>	Standard - Left facing							
<b>R</b>	Right facing pumphead							
<b>D</b>	Down facing pumphead							
<b>M3</b>	<b>S</b>	<b>2</b>	<b>4</b>	<b>-</b>	<b>S</b>	<b>ND</b>	<b>R</b>	<b>Sample Model Number</b>

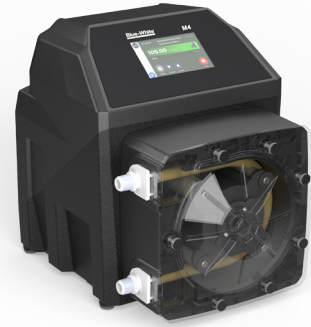
## Accessories

 <p>1/4" x 3/8" "S" Fitting 1/2" Hose Barb "B" Fitting 1/2" MNPT "M" Fitting</p> <p><b>Quick Disconnects</b></p> <ul style="list-style-type: none"> <li>*KIT-QSV FKM O-rings</li> <li>*KIT-QSE EP O-rings</li> <li>*KIT-QSA Aflas O-rings</li> <li>*KIT-QBV FKM</li> <li>*KIT-QBE EP</li> <li>*KIT-QBA Aflas</li> <li>*KIT-QMV FKM</li> <li>*KIT-QME EP</li> <li>*KIT-QMA Aflas</li> </ul>	 <p><b>KIT-PSM</b> Wall Mount Bracket, HDPE</p>	 <p><b>KIT-M12</b> Two M12 Cables - 9.8 ft.</p>
<p>90010-663 115V/60Hz NEMA 5/15 90010-664 220V/50Hz CEE 7/V11 90010-665 230V/50Hz BS 1363/A 90010-666 240V/50Hz AS 3112 90010-696 230V/60Hz NEMA 6/15 90010-711 115V Lockable</p> <p><b>POWER CABLES - 6 ft</b></p>	 <p><b>A-014NK-6A</b> Injector, PVDF, 1/4" "S" Conn.</p>	 <p><b>KIT-DP3</b> Profibus Cable, 3 ft</p>

Visit Accessory Pages for More Options

# M4

## FLEXFLO® Peristaltic Metering Pump



- > 5" touchscreen color LCD display
- > User-friendly configurations
- > Self priming peristaltic metering pump delivers smooth chemical feed
- > Tube Failure Detection (TFD) system senses tube failure
- > Inputs include: 4-20mA, Remote Start/Stop, Pulse Inputs, Industrial Protocols
- > Outputs include: 4-20mA, Frequency, (4) Alarm Outputs, Industrial Protocols

### Highlights

**Flow range**

.0028 - 158.5 GPH  
.0108 - 600 LPH

**Pressures up to**

125 PSI  
(8.6 bar)

**Turndown ratio**

10,000 : 1

**Suction lift**

30 ft.  
(at sea level)

**Exclusive**

Tube Failure Detection  
(TFD)

**Motor**

Brushless  
DC Motor

**Pump Weight**

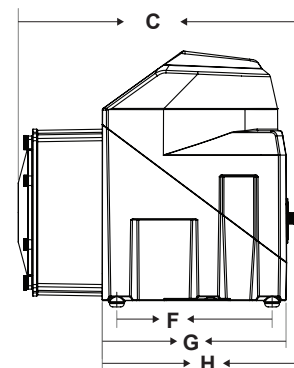
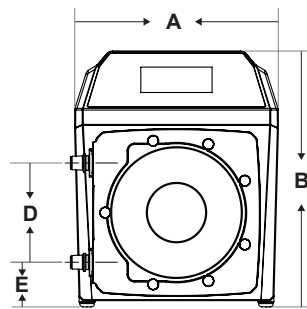
45.5 lb.  
(20.64 kg)

**Warranty**

5 Years

### Dimensions

Dim	Inch	cm	Dim	Inch	cm
A	12.1"	30.8	E	2.7"	6.8
B	15.3"	38.8	F	9.3"	23.5
C	16.5"	41.9	G	11.0"	27.8
D	5.9"	15.0	H	11.5"	29.2



### What's in the box

M4 Peristaltic Metering Pump w/ removable cord  
Two tube assemblies  
Tube installation tool  
Mounting hardware kit (Includes Standard and Extended Mounting Brackets)  
QR Code link to Operating Manual  
**Optional Accessories Not included (ordered separately):** Suction tubing/Discharge tubing, Injection Valves, Suction strainer, Quick Disconnect fittings, M12 communication cables, Ethernet/Modbus cables, or Wall Mount Bracket.




# Model Number Matrix

## FLEXFLO® Model Number

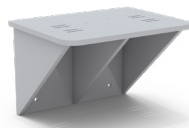
<b>M4</b>	FLEXFLO® M4 Peristaltic Metering Pump							
<b>Power Cord (operating voltage requirement 96VAC to 264VAC)</b>								
<b>4</b>	115V / 60HZ, power cord NEMA 5/15 plug (US)							
<b>6</b>	220V / 50HZ, power cord CEE 7/VII plug (EU)							
<b>X</b>	No Power Cord							
<b>Inlet/Outlet Connection Size, Connection Type, Connection Material</b>								
<b>M</b>	1/2" Male NPT Fitting, Natural PVDF (Kynar)							
<b>B</b>	1/2" ID Tubing Barb Fitting, Natural PVDF (Kynar)							
<b>C</b>	1/2" - 3/4" Tri-clamp connections, Natural PVDF (Kynar)							
<b>Q</b>	Quick Disconnect, Natural PVDF (Kynar), NP flow rate reduced 16.5% with Quick Disconnect connections (Valves sold separately)							
<b>MB</b>	1/2" Male BSPT Fitting, Natural PVDF (Kynar)							
<b>Pump Tube Material, Pump Tube Size</b> <b>NOTE: * = Dual tube</b>								
<b>NH</b>	Flex-A-Prene® .250 ID   .01–28.5 GPH   125 PSI	<b>GH</b>	Flex-A-Thane® .312 ID   .01–39.6 GPH   65 PSI					
<b>NHH*</b>	Flex-A-Prene® .250 ID   .02–54.0 GPH   100 PSI	<b>GHH*</b>	Flex-A-Thane® .312 ID   .03–71 GPH   65 PSI					
<b>NHHL*</b>	Flex-A-Prene® .250 ID   .02–54.0 GPH   65 PSI	<b>GK</b>	Flex-A-Thane® .375 ID   .02–55.5 GPH   65 PSI					
<b>NHL</b>	Flex-A-Prene® .250 ID   .01–28.5 GPH   65 PSI	<b>GKK*</b>	Flex-A-Thane® .375 ID   .04–100 GPH   65 PSI					
<b>NK</b>	Flex-A-Prene® .375 ID   .02–50.7 GPH   80 PSI	<b>TH</b>	Flex-A-Chem® .250 ID   .01–25.4 GPH   30 PSI					
<b>NL</b>	Flex-A-Prene® .500 ID   .04–100.0 GPH   50 PSI	<b>TK</b>	Flex-A-Chem® .375 ID   .02–54.0 GPH   30 PSI					
<b>NP</b>	Flex-A-Prene® .750 ID   .06–158.5 GPH   30 PSI	<b>TKK*</b>	Flex-A-Chem® .375 ID   .05–126 GPH   30 PSI					
<b>Pumphead Orientation</b>								
<b>(Blank)</b>	Standard - Left facing							
<b>R</b>	Right facing pumphead							
<b>D</b>	Down facing pumphead							
<b>M4</b>	<b>S</b>	<b>2</b>	<b>4</b>	<b>-</b>	<b>M</b>	<b>NH</b>	<b>R</b>	<b>Sample Model Number</b>

## Accessories



1/2" Hose Barb "B" Fitting  
1/2" MNPT "M" Fitting

<b>Quick Disconnects</b>	*KIT-QBV FKM O-rings	*KIT-QBE EP	*KIT-QBA Aflas
	*KIT-QMV FKM	*KIT-QME EP	*KIT-QMA Aflas



**KIT-PSM**  
Wall Mount Bracket, HDPE



**KIT-M12**  
Two M12 Cables - 9.8 ft.

90010-663 115V/60Hz NEMA 5/15  
90010-664 220V/50Hz CEE 7/V11  
90010-665 230V/50Hz BS 1363/A  
90010-666 240V/50Hz AS 3112  
90010-696 230V/60Hz NEMA 6/15  
90010-711 115V Lockable

**POWER CABLES - 6 ft**



**A-014NK-6A**  
Injector, PVDF, 1/4" "S" Conn.

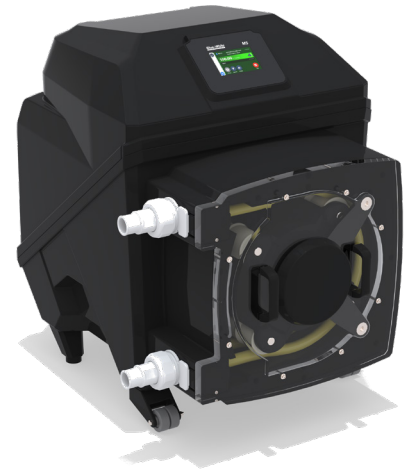


**KIT-DP3**  
Profibus Cable, 3 ft

Visit Accessory Pages for More Options

# M5

## FLEXFLO® Peristaltic Metering Pump



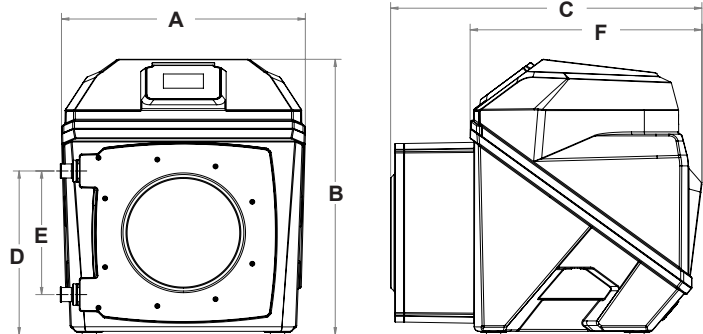
- > 5" touchscreen color LCD display
- > User-friendly configurations
- > Self priming peristaltic metering pump delivers smooth chemical feed
- > Tube Failure Detection (TFD) system senses tube failure
- > Inputs include: 4-20mA, Remote Start/Stop, Pulse Inputs, Industrial Protocols
- > Outputs include: 4-20mA, Frequency, (4) Alarm Outputs, Industrial Protocols

### Highlights

<b>Flow range</b> .0076 - 534 GPH .0286 - 2041 LPH	<b>Pressures up to</b> 65 PSI (4.4 bar)	<b>Turndown ratio</b> 10,000 : 1	<b>Suction lift</b> 30 ft. (at sea level)
<b>Exclusive</b> Tube Failure Detection (TFD)	<b>Motor</b> Brushless DC Motor	<b>Weight</b> 178 lb. (80.7 kg)	<b>Warranty</b> 5 Years

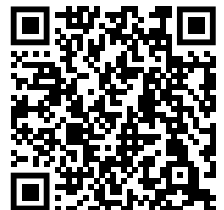
### Dimensions

Dim	Inch	cm	Dim	Inch	cm
A	25.7"	65.2	D	17.9"	45.4
B	30.1"	76.4	E	13.5"	34.3
C	32.8"	83.3	F	24.4"	62.0



### What's in the box

M5 Peristaltic Metering Pump w/ removable cord  
 One complete tube assembly (installed)  
 One Replacement Tube Kit  
 Floor Mounting Brackets  
 QR Code link to Operating Manual  
**Optional Accessories Not included (ordered separately):** Suction tubing/Discharge tubing, Injection Valves, Suction strainer, M12 communication cables, Ethernet/Modbus cables.



# Model Number Matrix

M5

## Model Number

<b>M5</b>	FLEXFLO® Peristaltic metering pump						
<b>Power Cord (operating voltage user selectable 115V/240 VAC 50/60Hz)</b>							
<b>4</b>	115V / 60Hz, power cord NEMA 5/15 plug (US)						
<b>6</b>	220V / 50HZ, power cord CEE 7/VII plug (EU)						
<b>X</b>	No Power Cord						
<b>Inlet/Outlet Connection Size, Connection Type, Connection Material</b>							
<b>M</b>	1.5" Male NPT Fitting, Polypropylene, Aflas O-rings						
<b>B</b>	1.5" Hose Barb, Polypropylene, Aflas O-rings						
<b>Pump Tube Material, Pump Tube Size, Output Range, Pressure NOTE: * = Dual tube</b>							
<b>NPP*</b>	Flex-A-Prene® .750 ID   .0534 - 534 GPH   .2121 - 2021 LPH   3.369 - 33690 mL/min   30 PSI						
<b>NLL*</b>	Flex-A-Prene® .500 ID   .0286 - 286 GPH   .1083 - 1083 LPH   1.806 - 18056 mL/min   50 PSI						
<b>NHHL*</b>	Flex-A-Prene® .250 ID   .0076 - 75.6 GPH   .0286 - 286 LPH   0.4769 - 4769 mL/min   65 PSI						
<b>GKK*</b>	Flex-A-Thane® .375 ID   .0154 - 154.2 GPH   .0584 - 583.6 LPH   0.9728 - 9728 mL/min   50 PSI						
<b>Pumphead Orientation</b>							
<b>(Blank)</b>	Standard - Left facing						
<b>R</b>	Right facing pumphead						
<b>O-rings / Elastomers</b>							
<b>(Blank)</b>	Standard (Aflas)						
<b>E</b>	EPDM						
<b>M5</b>	<b>S</b>	<b>2</b>	<b>4</b>	<b>-</b>	<b>M</b>	<b>NPP</b>	<b>Sample Model Number</b>

## Accessories

90010-663 115V/60Hz NEMA 5/15  
 90010-664 220V/50Hz CEE 7/V11  
 90010-665 230V/50Hz BS 1363/A  
 90010-666 240V/50Hz AS 3112  
 90010-696 230V/60Hz NEMA 6/15  
 90010-711 115V Lockable

**POWER CABLES - 6 ft**



\***KIT-M12-3** Three M12 Cables and **KIT-M12-6** Six M12 Cables also available.

Visit Accessory Pages for More Options

# A-100N (Polymer)

## FLEXFLO® Peristaltic Metering Pump



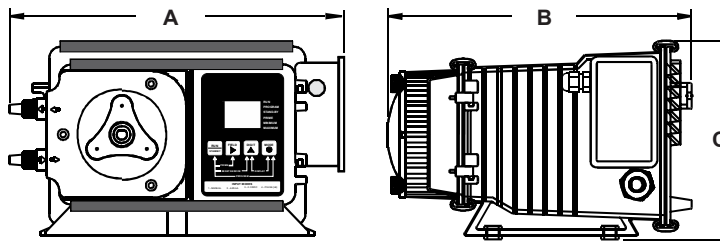
- > Enhanced Tube Failure Detection (TFD+) detects oil and water based polymers
- > Gentle pumping action for long chain polymers
- > Ideal for low and high viscosity fluids
- > Manual and Digital 4-20ma speed control models.

### Highlights

<b>Flow range</b>	<b>Pressures up to</b>	<b>Turndown ratio</b>	<b>Suction lift</b>
.1 - 5.2 GPH .4 - 20 LPH	65 PSI (4.5 bar)	20 : 1	30 ft. Water, 0 psig (9.14 m, 0 bar)
<b>Exclusive</b>	<b>Motor</b>	<b>Weight</b>	<b>Warranty</b>
Tube Failure Detection (TFD+)	Brushed DC	8 lb. (3.63 Kg)	1 Year

### Dimensions

Dim	Inch	cm
A	9.50"	24.10
B	9.125"	23.18
C	6.00"	15.24



**\*Polymer Units**  
A-100NVP, A-100NFP only

### What's in the box

- |  |                          |
|--|--------------------------|
| A100N Peristaltic Metering Pump                                      | Mounting hardware kit    |
| Two tube assemblies (one installed, one spare)                       | Display shield           |
| Suction tube – clear PVC<br>5' length (3/8" OD, 1/4" ID)             | Tube nuts (x2)           |
| Suction strainer (C-342-6)   | Silicon Oil, 5 ml bottle |
| Suction ceramic weight   | Instruction manual       |
| Discharge tube – opaque polyethylene<br>5' length (3/8" OD, 1/4" ID) |                          |
| Discharge injection fitting with 1/2 psi check (A-014N-6A)           |                          |


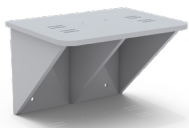


# Model Number Matrix

## FLEXFLO® Model Number

<b>A1N</b>	FLEXFLO® Peristaltic Metering Pump								
<b>Maximum Motor RPM</b>									
<b>0</b>	14 RPM								
<b>1</b>	30 RPM								
<b>2</b>	45 RPM								
<b>3</b>	60 RPM								
<b>Power Cord</b>									
<b>0</b>	115V / 60HZ, power cord NEMA 5/15 plug (US)								
<b>1</b>	220V / 50HZ, power cord CEE7/VII plug (EU)								
<b>Input/Output Control</b>									
<b>F</b>	Analog Manual Speed Control (Dial Knob)								
<b>V</b>	Digital Speed Control with external input (4-20ma, 0-10VDC, and Frequency/Pulse)								
<b>Pump Tube Material, Pump Tube Size</b>									
<b>1</b>	1/4" OD Flex-A-Thane®, 65 PSI								
<b>2</b>	3/8" OD Flex-A-Thane®, 65 PSI								
<b>3</b>	7/16" OD Flex-A-Thane®, 50 PSI								
<b>Polymer Pump Model</b>									
<b>P</b>	Polymer Pump equipped with TFD+								
<b>A1N</b>	<b>0</b>	<b>0</b>	<b>F</b>	<b>-</b>	<b>1</b>	<b>T</b>	<b>-</b>	<b>P</b>	<b>Sample Model Number</b>

## Accessories

 <p><b>KIT-S07</b> <b>KIT-S15</b> <b>KIT-S30</b></p> <p>* Includes cover and foot valve</p> <p>KIT-S07 (7 Gallon), KIT-S15 (15 Gallon), KIT-S30 (30 Gallon) STAR III TANKS, PP</p>	 <p><b>KIT-PSM</b> WALL MOUNT BRACKET, HDPE</p>	 <p><b>A1-1T, A1-2T, A1-3T</b> Spare Tube Element</p>
 <p><b>T140-6V</b> T.I. INJECTOR, 3/8" OD</p>	 <p><b>C-340A</b> FOOT VALVE</p>	 <p><b>A-014NK-6A</b> PVDF INJECTOR</p>

Visit [Accessory Pages](#) for more Options

# PERISTALTIC PUMP WARRANTY

## LIMITED WARRANTY

Your Blue-White product is a quality product and is warranted for a specific time from date of purchase (proof of purchase is required). The product will be repaired or replaced at our discretion. Failure must have occurred due to defect in material or workmanship and not as a result of operation of the product other than in normal operation as defined in the product manual. Warranty status is determined by the product's serial label and the sales invoice or receipt. The serial label must be on the product and legible. The warranty status of the product will be verified by Blue-White or a factory authorized service center. Pump Head and roller assembly is warranted against damage from chemical attack when proper TFD (Tube Failure Detection) system instructions and maintenance procedures are followed.

FLEXFLO® M1, M2, M3, M4, and M5 pumps are warranted for 5 years from date of purchase (proof of purchase is required). Pumps will be repaired or replaced at our discretion. Pump Head and roller assembly is warranted for 2 years against damage from chemical attack when proper TFD (Tube Failure Detection) system instructions and maintenance procedures are followed.

## WHAT IS NOT COVERED

- FLEXFLO® Pump Tube Assemblies and rubber components. They are perishable and require periodic replacement.
- Pump removal, or re-installation, and any related labor charge.
- Freight to the factory, or service center.
- Products that have been tampered with, or in pieces.
- Damage resulting from misuse, carelessness such as chemical spills on the enclosure, abuse, lack of maintenance, or alteration which is out of our control.
- Damage by faulty wiring, power surges or acts of nature.

BLUE-WHITE does not assume responsibility for any loss, damage, or expense directly or indirectly related to or arising out of the use of its products. Failure must have occurred due to defect in material or workmanship and not as a result of operation of the product other than in normal operation as defined in the pump manual.

Warranty status is determined by the pump's serial label and the sales invoice or receipt. The serial label must be on the pump and legible. The warranty status of the pump will be verified by Blue-White or a factory authorized service center.

## PROCEDURE FOR IN WARRANTY REPAIR

Warranty service must be performed by the factory or an authorized service center. Contact the factory or local repair center to obtain a RMA (Return Material Authorization) number. It is recommended to include foot strainer and injection/check valve fitting since these devices may be clogged and part of the problem. Decontaminate, dry, and carefully pack the product to be repaired. Please enclose a brief description of the problem and proof of purchase. Prepay all shipping and insurance cost. COD shipments will not be accepted. Damage caused by improper packaging is the responsibility of the sender. When In-Warranty repair is completed, the factory pays for return shipping to the dealer or customer.

## PRODUCT USE WARNING

Blue-White products are manufactured to meet the highest quality standards in the industry. Each product instruction manual includes a description of the associated product warranty and provides the user with important safety information. Purchasers, installers, and operators of Blue-White products should take the time to inform themselves about the safe operation of these products. In addition, Customers are expected to do their own due diligence regarding which products and materials are best suited for their intended applications. BLUE-WHITE is pleased to assist in this effort but does not guarantee the suitability of any particular product for any specific application as Blue-White does not have the same degree of familiarity with the application that the customer/end user has. While BLUE-WHITE will honor all of its product warranties according to their terms and conditions, Blue-White shall only be obligated to repair or replace its defective parts or products in accordance with the associated product warranties.

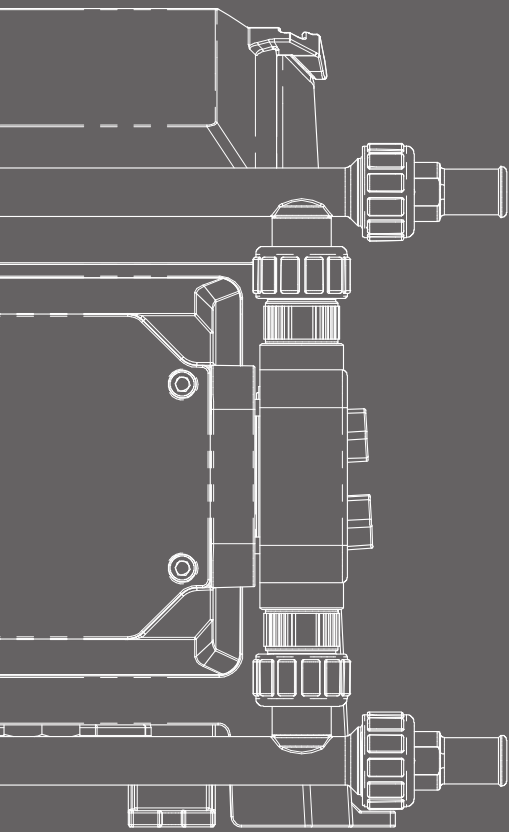
**BLUE-WHITE SHALL NOT BE LIABLE EITHER IN TORT OR IN CONTRACT FOR ANY LOSS OR DAMAGE WHETHER DIRECT, INDIRECT, INCIDENTAL, OR CONSEQUENTIAL, ARISING OUT OF OR RELATED TO THE FAILURE OF ANY OF ITS PARTS OR PRODUCTS OR OF THEIR NONSUITABILITY FOR A GIVEN PURPOSE OR APPLICATION.**

## CHEMICAL RESISTANCE WARNING

BLUE-WHITE offers a wide variety of wetted parts. Purchasers, installers, and operators of Blue-White products must be well informed and aware of the precautions to be taken when injecting or measuring various chemicals, especially those considered to be irritants, contaminants or hazardous. Customers are expected to do their own due diligence regarding which products and materials are best suited for their applications, particularly as it may relate to the potential effects of certain chemicals on Blue-White products and the potential for adverse chemical interactions. Blue-White tests its products with water only. The chemical resistance information included in this instruction manual was supplied to BLUE-WHITE by reputable sources, but Blue-White is not able to vouch for the accuracy or completeness thereof. While BLUE-WHITE will honor all of its product warranties according to their terms and conditions, Blue-White shall only be obligated to repair or replace its defective parts or products in accordance with the associated product warranties.

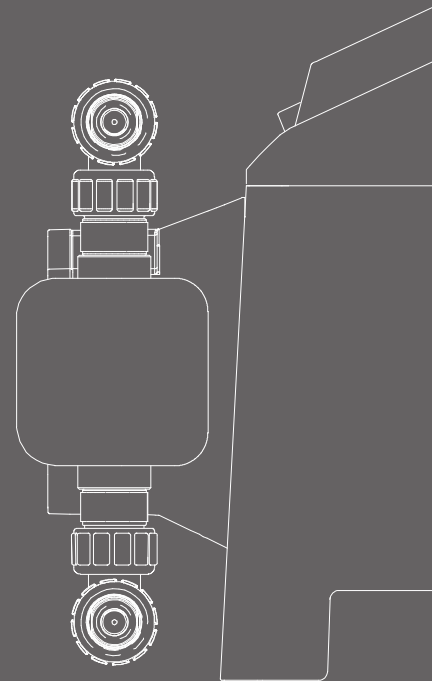
**BLUE-WHITE SHALL NOT BE LIABLE EITHER IN TORT OR IN CONTRACT FOR ANY LOSS OR DAMAGE, WHETHER DIRECT, INDIRECT, INCIDENTAL, OR CONSEQUENTIAL, ARISING OUT OF OR RELATED TO THE USE OF CHEMICALS IN CONNECTION WITH ANY BLUE-WHITE PRODUCTS.**

Users of electrical and electronic equipment (EEE) with the WEEE marking per Annex IV of the WEEE Directive must not dispose of end of life EEE as unsorted municipal waste, but use the collection framework available to them for the return, recycle, recovery of WEEE and minimize any potential effects of EEE on the environment and human health due to the presence of hazardous substances. The WEEE marking applies only to countries within the European Union (EU) and Norway. Appliances are labeled in accordance with European Directive 2002/96/EC. Contact your local waste recovery agency for a Designated Collection Facility in your area.



# MUNICIPAL

Diaphragm  
Metering Pumps



**Blue-White**<sup>®</sup>

# C2

## CHEM-FEED® Diaphragm Metering Pump

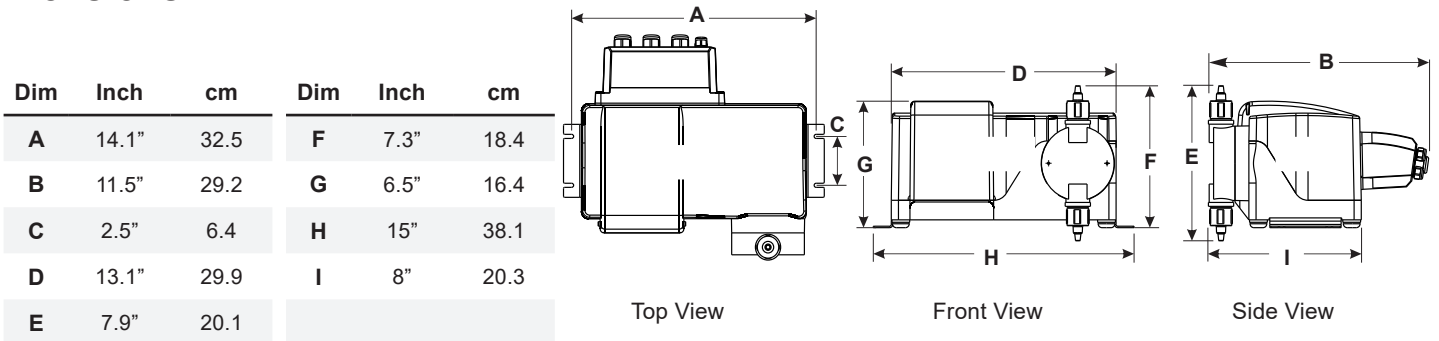


- > Built-in leak detection (DFD) senses diaphragm failure
- > Patented DiaFlex® offers zero breakdown, reducing maintenance
- > 4-20mA input and 4-20mA output on V model
- > Heavy duty PVDF pump head and valves are standard

### Highlights

<p><b>Flow range</b></p> <p>.02 - 16.5 GPH .1 - 62.5 LPH</p>	<p><b>Pressures up to</b></p> <p>175 PSI (12 bar)</p>	<p><b>Turndown ratio</b></p> <p>100 : 1</p>	<p><b>Suction lift</b></p> <p>15 ft. (at sea level)</p>
<p><b>Exclusive</b></p> <p>Diaphragm Failure Detection (DFD)</p>	<p><b>Motor</b></p> <p>Brushed DC Motor</p>	<p><b>Weight</b></p> <p>24 lb. (10.9 kg)</p>	<p><b>Warranty</b></p> <p>2 Years</p>

### Dimensions



**NOTE:** Optional Extended Bracket adds 4.5" (11.43cm) to overall height (dimension F and G).

### What's in the box

- C2 Diaphragm Metering Pump
- Discharge injection fitting with check valve
- Option "A,B,C"** – ½" ID x ¾" OD tubing pump head
- ½" hose barb injector • ½" hose barb foot valve
- Tubing and hose clamp
- Option "D"** – ¼" ID x 3/8" OD Tubing pump head
- Suction foot valve and ceramic weight
- Injector, suction tubing - 10 ft.
- discharge tubing - 10ft.

- Option "E"** – ½" M/NPT inlet and outlet, with ½" M/NPT injection fitting
- ½" M/NPT injector • ½" M/NPT foot valve
- Option "F"** – ½" F/NPT inlet and outlet, with ½" M/NPT injection fitting
- ½" M/NPT injector • ½" M/NPT foot valve
- Mounting hardware kit
- Junction box connectors
- QR Code link to Operating Manual

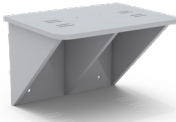


# Model Number Matrix


## Model Number

<b>C2</b>	Diaphragm metering pump							
<b>Series</b>								
<b>F</b>	Single manual output control (manual/local control only)							
<b>V</b>	Multiple automatic input output control and alarm modes (remote control)							
<b>Input Voltage</b>								
<b>4</b>	115V / 60Hz, power cord NEMA 5/15 plug (US)			<b>8</b>	240V / 50HZ, power cord AS 3112 plug (AU/New Zealand)			
<b>5</b>	230V / 60Hz, power cord NEMA 6/15 plug (US)			<b>9</b>	230V / 50HZ, power cord BS 1363 plug (UK)			
<b>6</b>	220V / 50HZ, power cord CEE 7/VII plug (EU)							
<b>CAM Stroke Length and Diaphragm Size</b>								
<b>1</b>	.060" (1.52 mm) stroke with small diaphragm   .10–10 GPH   175 PSI							
<b>2</b>	.060" (1.52 mm) stroke with large diaphragm   .165–16.5 GPH   175 PSI							
<b>3</b>	.040" (1.02 mm) stroke with small diaphragm   .067–6.7 GPH   175 PSI							
<b>5</b>	.040" (1.02 mm) stroke with Micro-Feed   .02–2.3 GPH   150 PSI							
<b>6</b>	.060" (1.52 mm) stroke with Micro-Feed   .04–4.0 GPH   150 PSI							
<b>Electrical Options</b>								
<b>X</b>	Standard equipment							
<b>Elastomer Material (o-rings)</b>								
<b>V</b>	TFE/P			<b>E</b>	EP (Ethylene Propylene)			
<b>Fitting Connection Types</b>								
<b>A</b>	1/2" Hose Barb Inlet, 1/2" Male NPT Outlet, with 1/2" Male NPT Injection Fitting							
<b>B</b>	1/2" Hose Barb Inlet, 1/2" Female NPT Outlet, with 1/2" Male NPT Injection Fitting							
<b>C</b>	1/2" Hose Barb Inlet and Outlet, with 1/2" ID Hose Barb Injection Fitting							
<b>D</b>	3/8" OD Tube Compression Inlet, Outlet, and Injection Fitting							
<b>E</b>	1/2" Male NPT Inlet and Outlet, with 1/2" Male NPT Injection Fitting							
<b>F</b>	1/2" Female NPT Inlet and Outlet, with 1/2" Male NPT Injection Fitting							
<b>Diaphragm Type</b>								
<b>(Blank)</b>	Standard DiaFlex® Diaphragm							
<b>S</b>	Flex-A-Prene® Diaphragm (Caustic Soda resistant diaphragm)							
<b>C2</b>	<b>F</b>	<b>2</b>	<b>4</b>	<b>1</b>	<b>X</b>	<b>V</b>	<b>A</b>	<b>Sample Model Number</b>


## Accessories



**KIT-PSM**  
Wall Mount Bracket, HDPE



**71000-555**  
PVDF INJECTOR, 1/4" ID tubing  
**71000-579**  
PVDF INJECTOR, 1/2" Hose Barb  
**71000-577**  
PVDF INJECTOR, 1/2" MNPT



**C-334-6-10**  
Suction Tubing, Clear PVC 1/4"x 3/8", 10 ft  
**C-335-6-25**  
Discharge Tubing, PE, 1/4" x 3/8", 25 ft  
**76001-361**  
Suction Tubing, Clear PVC, 1/2" ID, 8ft  
**90008-437**  
Discharge Tubing, Braided PVC, 1/2" ID

### Ball Check Cartridge Options

**20000-228**  
Ball Check Cart. Hastelloy Balls  
**20000-229**  
Ball Check Cart. PTFE Balls  
**70001-409 (2 req.)**  
Ball Check Cart., Single Ceramic Ball with Hastelloy Spring

Visit Accessory Pages for More Options

# C3

## CHEM-FEED® Diaphragm Metering Pump



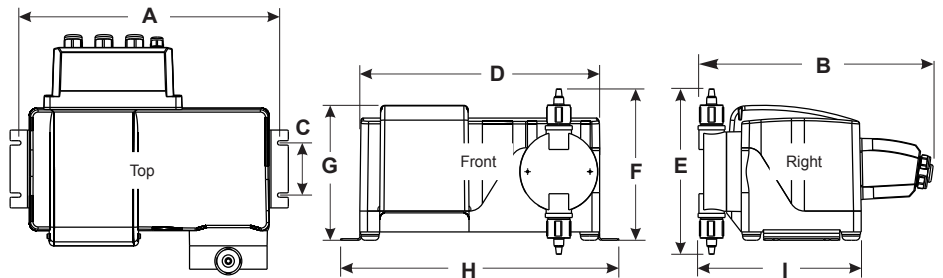
- > Built-in leak detection (DFD) senses diaphragm failure
- > Exclusive Patented DiaFlex® diaphragm
- > Signal inputs include: 4-20mA ("V" Model), pulse inputs ("V" Model), and Remote start/stop
- > Signal outputs include: Relay (3 amp) and 4-20mA ("V" Model)

### Highlights

<b>Flow range</b>	<b>Pressures up to</b>	<b>Turndown ratio</b>	<b>Suction lift</b>
.262 - 40.6 GPH .99 - 154 LPH	150 PSI (10.3 bar)	100 : 1	15 ft. Water, 0 psig (4.5 m, 0 bar)
<b>Exclusive</b>	<b>Motor</b>	<b>Weight</b>	<b>Warranty</b>
Diaphragm Failure Detection (DFD)	Brushed DC	31 lb. (14.06 Kg)	2 Years

### Dimensions

Dim	Inch	cm	Dim	Inch	cm
A	14.1"	35.8	F	7.8"	19.8
B	12"	30.5	G	6.5"	16.5
C	2.5"	6.4	H	15"	38.1
D	13.1"	33.3	I	8"	20.3
E	9"	22.9			



**NOTE:** Optional Extended Bracket adds 4.5" (11.43cm) to overall height (dimension F and G).

### What's in the box

- C2 Diaphragm Metering Pump
- Discharge injection fitting with check valve
- Option "A","B"** – ½" ID x ¾" OD tubing pump head
  - ½" M/NPT injector • ½" hose barb foot valve
  - Tubing and hose clamp
- Option "C"** – ½" ID x ¾" OD tubing pump head
  - ½" hose barb injector • ½" hose barb foot valve
  - Tubing and hose clamp

- Option "E"** – ½" M/NPT inlet and outlet, with ½" M/NPT injection fitting
  - ½" M/NPT injector • ½" M/NPT foot valve
- Option "F"** – ½" F/NPT inlet and outlet, with ½" M/NPT injection fitting
  - ½" M/NPT injector • ½" M/NPT foot valve
- Mounting hardware kit
- Junction box connectors
- QR Code link to Operating Manual



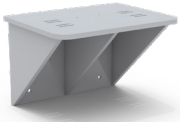
# Model Number Matrix

C3


## Model Number

<b>C3</b>	Diaphragm metering pump							
<b>Series</b>								
<b>F</b>	Single manual output control (manual/local control only)							
<b>V</b>	Multiple automatic input/output control and alarm modes (remote control)							
<b>Input Voltage</b>								
<b>4</b>	115V / 60Hz, power cord NEMA 5/15 plug (US)			<b>8</b>	240V / 50HZ, power cord AS 3112 plug (AU/New Zealand)			
<b>5</b>	230V / 60Hz, power cord NEMA 6/15 plug (US)			<b>9</b>	230V / 50HZ, power cord BS 1363 plug (UK)			
<b>6</b>	220V / 50HZ, power cord CEE 7/VII plug (EU)							
<b>CAM Stroke Length and Diaphragm Size</b>								
<b>1</b>	.060" (1.52 mm) stroke with large diaphragm   .262–26.2 GPH   150 PSI							
<b>2</b>	.100" (2.54 mm) stroke with large diaphragm   .406–40.6 GPH   100 PSI							
<b>Electrical Options</b>								
<b>X</b>	Standard equipment with "F" Series only							
<b>A</b>	Standard equipment with "V" Series only - includes 4-20ma output							
<b>Elastomer Material (o-rings)</b>								
<b>V</b>	TFE/P			<b>E</b>	EP (Ethylene Propylene)			
<b>Fitting Connection Types</b>								
<b>A</b>	1/2" Hose Barb Inlet, 1/2" Male NPT Outlet, with 1/2" Male NPT Injection Fitting							
<b>B</b>	1/2" Hose Barb Inlet, 1/2" Female NPT Outlet, with 1/2" Male NPT Injection Fitting							
<b>C</b>	1/2" Hose Barb Inlet and Outlet, with 1/2" ID Hose Barb Injection Fitting							
<b>E</b>	1/2" Male NPT Inlet and Outlet, with 1/2" Male NPT Injection Fitting							
<b>F</b>	1/2" Female NPT Inlet and Outlet, with 1/2" Male NPT Injection Fitting							
<b>Diaphragm Type</b>								
<b>(Blank)</b>	Standard DiaFlex® Diaphragm							
<b>S</b>	Flex-A-Prene® Diaphragm (Caustic Soda resistant diaphragms)							
<b>C3</b>	<b>F</b>	<b>2</b>	<b>4</b>	<b>1</b>	<b>X</b>	<b>V</b>	<b>A</b>	<b>Sample Model Number</b>


## Accessories



**KIT-PSM**  
Wall Mount Bracket, HDPE



**71000-555**  
PVDF INJECTOR, 1/4" ID tubing  
**71000-579**  
PVDF INJECTOR, 1/2" Hose Barb  
**71000-577**  
PVDF INJECTOR, 1/2" MNPT



**C-334-6-10**  
Suction Tubing, Clear PVC 1/4"x 3/8", 10 ft  
**C-335-6-25**  
Discharge Tubing, PE, 1/4" x 3/8", 25 ft  
**76001-361**  
Suction Tubing, Clear PVC, 1/2" ID, 8ft  
**90008-437**  
Discharge Tubing, Braided PVC, 1/2" ID

**Ball Check Cartridge Options**

**20000-228**  
Ball Check Cart. Hastelloy Balls  
**20000-229**  
Ball Check Cart. PTFE Balls  
**70001-409 (2 req.)**  
Ball Check Cart., Single Ceramic Ball with Hastelloy Spring

Visit Accessory Pages for More Options

# MD1

## CHEM-FEED® Multi-Diaphragm Metering Pump



- > Diaphragm Failure Detection system senses diaphragm failure
- > Display shield protects pump controls in harsh environments
- > Patented DiaFlex® offers zero breakdown, reducing maintenance
- > Remote Start/Stop, non-powered dry contact closure
- > Relay outputs include a single 250V/3A and a single solid state
- > SCADA I/O: 4-20 mA input, 4-20 mA output
- > 1/4" x 3/8" inlet/outlet connections standard (1/2" MNPT and 1/2" Hose Barb fittings available)

### Highlights

#### Flow range

.0008 – 8.50 GPH  
.003 – 32.2 LPH

#### Pressures up to

150 PSI  
(10.3 bar)

#### Turndown ratio

10,000 : 1

#### Suction lift

20 ft.  
(at sea level)

#### Exclusive

Diaphragm Failure  
Detection (DFD)

#### Motor

Brushless  
DC Motor

#### Weight

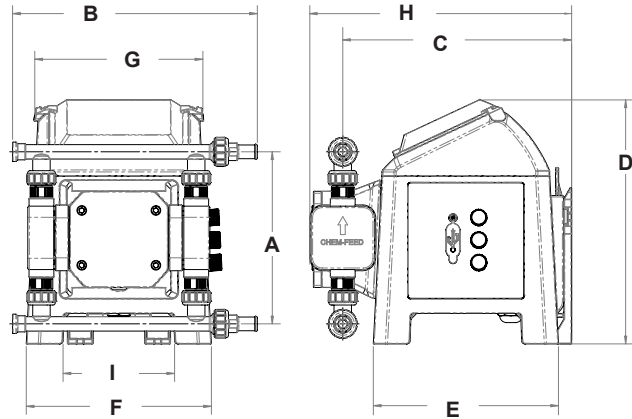
8.5 lb.  
(3.8 kg)

#### Warranty

5 Years

### Dimensions

Dim	Inch	cm	Dim	Inch	cm
A	6.67"	16.94	F	7.18"	18.23
B	9.49"	24.10	G	6.52"	16.55
C	8.87"	22.54	H	10.40"	26.41
D	9.46"	24.02	I	4.32"	10.98
E	7.18"	18.23			



### What's in the box

MD1 Multi-Diaphragm Metering Pump  
Discharge injection fitting with check valve  
Suction foot valve  
Suction ceramic weight  
Mounting hardware kit  
Display shield  
Instruction manual

**Optional Accessories not included:** Suction Tubing, Discharge Tubing, M12 connector cables, optional connectors (1/2" MNPT, 1/2" Hose Barb).





# Model Number Matrix

MD1

## CHEM-FEED® Model Number

<b>MD1</b>	CHEM-FEED® Diaphragm Metering Pump			
<b>Diaphragm and O-Rings Material</b>				
<b>V</b>	DiaFlex® Diaphragms and TFE/P O-Rings (For all chemicals excluding caustic soda and aqueous ammonia)			
<b>E</b>	Flex-A-Prene® Diaphragms and EP O-Rings (For caustic soda and aqueous ammonia)			
<b>Pump Fittings (Inlet / Outlet)</b>				
<b>B</b>	1/2" ID Barb Straight Fittings			
<b>C</b>	1/2" ID Barb Elbow Fittings			
<b>S</b>	1/4" x 3/8" Compression Straight Fittings			
<b>T</b>	1/4" x 3/8" Compression Elbow Fittings			
<b>M</b>	1/2" M/NPT Straight Fittings			
<b>X</b>	1/2" M/NPT Elbow Fittings			
<b>Power Cord - Removable (Operating voltage requirement 96VAC to 264VAC)</b>				
<b>4</b>	115V 50/60Hz, power cord NEMA 5/15 plug (US)			
<b>6</b>	220V 50/60Hz, power cord CEE 7/11 plug (EU)			
<b>X</b>	No Power Cord Provided (Power cord is required - See accessories for power cord options)			
<b>MD1</b>	<b>V</b>	<b>B</b>	<b>4</b>	<b>Sample Model Number</b>

## Accessories

 <p><b>KIT-S07</b> <b>KIT-S15</b> <b>KIT-S30</b></p> <p><small>* Includes cover and foot valve</small></p> <p>KIT-S07 (7 Gallon), KIT-S15 (15 Gallon), KIT-S30 (30 Gallon) STAR III TANKS, PP</p>	 <p><b>KIT-PSM</b> WALL MOUNT BRACKET, HDPE</p>	 <p><b>CABLE-UAC</b> USB A-C CABLE - 3 ft</p>	
<p><b>POWER CABLES - 6 ft</b> 90010-663 115V/60Hz NEMA 5/15 90010-664 220V/50Hz CEE 7/11 90010-665 230V/50Hz BS 1363/A 90010-666 240V/50Hz AS 3112 90010-696 230V/60Hz NEMA 6/15 90010-821 115V Lockable</p> <p><b>POWER CABLES</b></p>	 <p><b>KIT-M12</b> TWO M12 CABLES - 9.8 ft</p>	 <p><b>KIT-CQA (Aflas) / KIT-CQE (EP)</b> QUICK CONNECT KIT MD1</p>	<p><b>Teflon Ball Check Cartridge Valve Kit (PVDF body, TFE/P O-rings, PTFE balls)</b> 4 cartridges included. (3 Double-Ball, 1 De-Gas)</p> <p><b>KIT-DVA1-P PTFE Ball Check</b></p>

Visit Accessory Pages for More Options

# MD3

## CHEM-FEED® Multi-Diaphragm Metering Pump

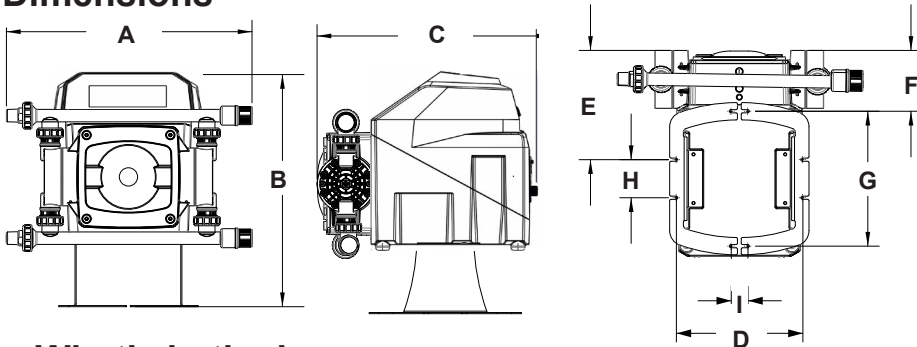


- > Diaphragm Failure Detection system senses diaphragm failure
- > Patented DiaFlex® offers zero breakdown, reducing maintenance
- > Smooth chemical dosing, no pulsation dampener needed
- > Near pulseless flow diaphragm metering
- > Signal inputs include: 4-20mA, pulse inputs, and Remote Start/Stop

### Highlights

<p><b>Flow range</b></p> <p>.03 - 52.6 GPH .10 - 199 LPH</p>	<p><b>Pressures up to</b></p> <p>145 PSI (10 bar)</p>	<p><b>Turndown ratio</b></p> <p>2,000 : 1</p>	<p><b>Suction lift</b></p> <p>19 ft. (at sea level)</p>
<p><b>Exclusive</b></p> <p>Diaphragm Failure Detection (DFD)</p>	<p><b>Motor</b></p> <p>Brushless DC Motor</p>	<p><b>Weight</b></p> <p>53 lb. (24.04 kg)</p>	<p><b>Warranty</b></p> <p>5 Years</p>

### Dimensions



Dim	Inch	cm	Dim	Inch	cm
A	16.13"	40.97	F	4.00"	10.15
B	16.29"	41.37	G	8.86"	22.50
C	14.12"	35.86	H	2.50"	6.35
D	8.30"	21.08	I	1.10"	2.79
E	7.24"	18.37			

### What's in the box

- MD3 Multi-Diaphragm Metering Pump
- Suction foot valve, PVDF, 1/2" MNPT or 1/2" Hose Barb
- Mounting hardware kit, including extended mounting brackets
- Fitting Kit (model specific)
  - 1/2" M/NPT Elbow connections, or
  - 1/2" M/NPT Straight connections, or
  - 1/2" Hose barb Straight connections, or
  - 1/2" Hose Barb Elbow connections
  - Union nuts
- Quick Start Guide
- Not included: Injector, Suction Tubing, Discharge Tubing, M12 Cables**



# Model Number Matrix

## CHEM-FEED® Model Number

<b>MD3S</b>	CHEM-FEED® Multi-Diaphragm Metering Pump						
<b>Maximum Strokes per Minute</b>							
<b>2</b>	380 SPM (190 RPM)						
<b>Input Voltage / Power Cord</b>							
<b>4</b>	115V / 60Hz, power cord NEMA 5/15 plug (US)						
<b>5</b>	230V / 60Hz, power cord NEMA 6/15 plug (US)						
<b>6</b>	220V / 50HZ, power cord CEE 7/VII plug (EU)						
<b>8</b>	240V / 50Hz, power cord AS 3112 plug (Australia/New Zealand)						
<b>9</b>	230V / 50HZ, power cord BS 1363/A plug (United Kingdom)						
<b>X</b>	No Power Cord (Pump requires power cord. See accessories for other power cord options)						
<b>Stroke Length / Diaphragm Size</b>							
<b>4</b>	.090" Stroke - Large Diaphragm						
<b>Electrical</b>							
<b>X</b>	Standard Equipment - C13 power cord connector, six M12 signal connectors, Ethernet/Modbus port & Profibus M12 connector.						
<b>Elastomer Material (O-Rings)</b>							
<b>V</b>	DiaFlex Diaphragms and TFE/P O-rings (For most chemicals, not compatible with Sodium Hydroxide and Aqueous Ammonia)						
<b>E</b>	Flex-A-Prene Diaphragms and EPDM O-rings (for Sodium Hydroxide and Aqueous Ammonia)						
<b>Pump Head Fittings and Foot Valve</b>							
<b>X</b>	1/2" M/NPT Elbow Fittings & 1/2" M/NPT Footvalve						
<b>M</b>	1/2" M/NPT Straight Fittings & 1/2" M/NPT Footvalve						
<b>B</b>	1/2" Barb Straight Fittings & 1/2" Barb Footvalve						
<b>C</b>	1/2" Barb Elbow Fittings & 1/2" Barb Footvalve						
<b>MD3S</b>	<b>2</b>	<b>4</b>	<b>4</b>	<b>X</b>	<b>V</b>	<b>X</b>	<b>Sample Model Number</b>

## Accessories

 <p><b>KIT-PSM</b> Wall Mount Bracket, HDPE</p>	 <p><b>71000-579</b> PVDF INJECTOR, 1/2" Hose Barb <b>71000-577</b> PVDF INJECTOR, 1/2" MNPT</p>	 <p><b>76001-361</b> Suction Tubing, Clear PVC, 1/2" ID, 8ft <b>90008-437</b> Discharge Tubing, Braided PVC, 1/2" ID</p>	<p><b>Ball Check Cartridge Options</b></p> <p><b>20000-229 (2 req.)</b> Ball Check Cart. PTFE Balls <b>20000-228 (2 req.)</b> Ball Check Cart. Hastelloy Balls <b>70001-409 (4 req.)</b> Ball Check Cart., Single Ceramic Ball with Hastelloy Spring</p>
 <p><b>KIT-M12</b> Two M12 Cables - 9.8 ft.</p>	 <p><b>KIT-DP3</b> Profibus Cable, 3 ft.</p>	<p>90010-663 115V/60Hz NEMA 5/15 90010-664 220V/50Hz CEE 7/V11 90010-665 230V/50Hz BS 1363/A 90010-666 240V/50Hz AS 3112 90010-696 230V/60Hz NEMA 6/15 90010-711 115V Lockable</p> <p><b>POWER CABLES - 6 ft</b></p>	

Visit Accessory Pages for More Options

# DIAPHRAGM PUMP WARRANTY

## LIMITED WARRANTY

Your Blue-White product is a quality product and is warranted for a specific time from date of purchase (proof of purchase is required). The product will be repaired or replaced at our discretion. Failure must have occurred due to defect in material or workmanship and not as a result of operation of the product other than in normal operation as defined in the product manual. Warranty status is determined by the product's serial label and the sales invoice or receipt. The serial label must be on the product and legible. The warranty status of the product will be verified by Blue-White or a factory authorized service center.

CHEM-FEED® C2 and C3 pumps are warranted for 2 years from date of purchase (proof of purchase is required). CHEM-FEED® MD1 and MD3 pumps are warranted for 5 years from date of purchase (proof of purchase is required). Pumps will be repaired or replaced at our discretion.

DIAFLEX® diaphragms are warranted for the life of the pump. Blue-White will replace a damaged diaphragm at no cost to the customer provided the pump was at all times operated within the guidelines included in the pump's operation manual. This warranty only applies to DIAFLEX® diaphragms, not the pumps themselves. Blue-White pumps are separately covered by warranties specific to them.

## WHAT IS NOT COVERED

- Rubber components and wear components. They are perishable and require periodic replacement.
- Pump removal, or re-installation, and any related labor charge.
- Freight to the factory, or service center.
- Products that have been tampered with, or in pieces.
- Damage resulting from misuse, carelessness such as chemical spills on the enclosure, abuse, lack of maintenance, or alteration which is out of our control.
- Damage by faulty wiring, power surges or acts of nature.

BLUE-WHITE does not assume responsibility for any loss, damage, or expense directly or indirectly related to or arising out of the use of its products. Failure must have occurred due to defect in material or workmanship and not as a result of operation of the product other than in normal operation as defined in the pump manual.

Warranty status is determined by the pump's serial label and the sales invoice or receipt. The serial label must be on the pump and legible. The warranty status of the pump will be verified by Blue-White or a factory authorized service center.

## PROCEDURE FOR IN WARRANTY REPAIR

Warranty service must be performed by the factory or an authorized service center. Contact the factory or local repair center to obtain a RMA (Return Material Authorization) number. It is recommended to include foot strainer and injection/check valve fitting since these devices may be clogged and part of the problem. Decontaminate, dry, and carefully pack the product to be repaired. Please enclose a brief description of the problem and proof of purchase. Prepay all shipping and insurance cost. COD shipments will not be accepted. Damage caused by improper packaging is the responsibility of the sender. When In-Warranty repair is completed, the factory pays for return shipping to the dealer or customer.

## PRODUCT USE WARNING

Blue-White products are manufactured to meet the highest quality standards in the industry. Each product instruction manual includes a description of the associated product warranty and provides the user with important safety information. Purchasers, installers, and operators of Blue-White products should take the time to inform themselves about the safe operation of these products. In addition, Customers are expected to do their own due diligence regarding which products and materials are best suited for their intended applications. BLUE-WHITE is pleased to assist in this effort but does not guarantee the suitability of any particular product for any specific application as Blue-White does not have the same degree of familiarity with the application that the customer/end user has. While BLUE-WHITE will honor all of its product warranties according to their terms and conditions, Blue-White shall only be obligated to repair or replace its defective parts or products in accordance with the associated product warranties.

**BLUE-WHITE SHALL NOT BE LIABLE EITHER IN TORT OR IN CONTRACT FOR ANY LOSS OR DAMAGE WHETHER DIRECT, INDIRECT, INCIDENTAL, OR CONSEQUENTIAL, ARISING OUT OF OR RELATED TO THE FAILURE OF ANY OF ITS PARTS OR PRODUCTS OR OF THEIR UNSUITABILITY FOR A GIVEN PURPOSE OR APPLICATION.**

## CHEMICAL RESISTANCE WARNING

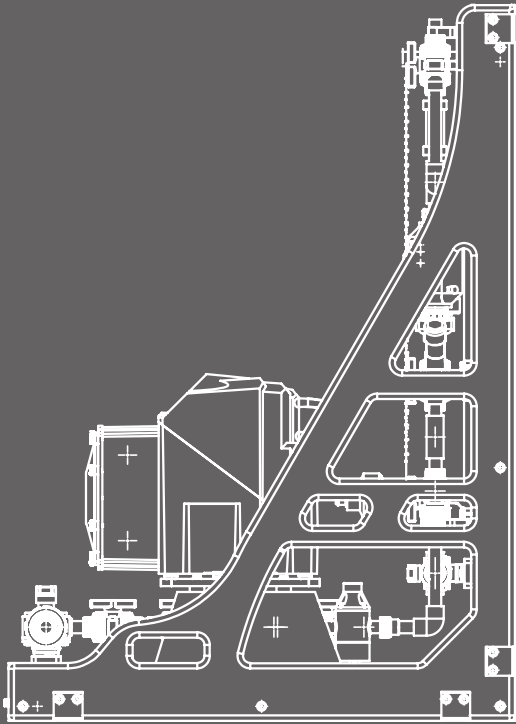
BLUE-WHITE offers a wide variety of wetted parts. Purchasers, installers, and operators of Blue-White products must be well informed and aware of the precautions to be taken when injecting or measuring various chemicals, especially those considered to be irritants, contaminants or hazardous. Customers are expected to do their own due diligence regarding which products and materials are best suited for their applications, particularly as it may relate to the potential effects of certain chemicals on Blue-White products and the potential for adverse chemical interactions. Blue-White tests its products with water only. The chemical resistance information included in this instruction manual was supplied to BLUE-WHITE by reputable sources, but Blue-White is not able to vouch for the accuracy or completeness thereof. While BLUE-WHITE will honor all of its product warranties according to their terms and conditions, Blue-White shall only be obligated to repair or replace its defective parts or products in accordance with the associated product warranties.

**BLUE-WHITE SHALL NOT BE LIABLE EITHER IN TORT OR IN CONTRACT FOR ANY LOSS OR DAMAGE, WHETHER DIRECT, INDIRECT, INCIDENTAL, OR CONSEQUENTIAL, ARISING OUT OF OR RELATED TO THE USE OF CHEMICALS IN CONNECTION WITH ANY BLUE-WHITE PRODUCTS.**

Users of electrical and electronic equipment (EEE) with the WEEE marking per Annex IV of the WEEE Directive must not dispose of end of life EEE as unsorted municipal waste, but use the collection framework available to them for the return, recycle, recovery of WEEE and minimize any potential effects of EEE on the environment and human health due to the presence of hazardous substances. The WEEE marking applies only to countries within the European Union (EU) and Norway. Appliances are labeled in accordance with European Directive 2002/96/EC. Contact your local waste recovery agency for a Designated Collection Facility in your area.

# MUNICIPAL

## Skid Systems



**Blue-White**<sup>®</sup>

# CFPS-1

## CHEM-FEED® Plastic Simplex Skid System



- > Chemically resistant polyethylene structure
- > Leak free, threadless connections
- > Pressure Relief Valve protects the system from over-pressurization
- > Check Valve protects the user from back-flow
- > Flow Indicator provides a visual indication of chemical movement

### Highlights

#### Piping

PVC Schedule 80  
(optional CPVC, PVDF,  
and Chem Proline®)

#### Pressures up to

150 PSI  
(10.3 bar)

#### Compatibility

M1, M2, M3, M4,  
C2, C3, MD1,  
MD3

#### Drip tray

2.22 Gal  
(8.4L)

#### Frame material

Polyethylene

#### Mounting position

Floor or wall

#### Skid weight

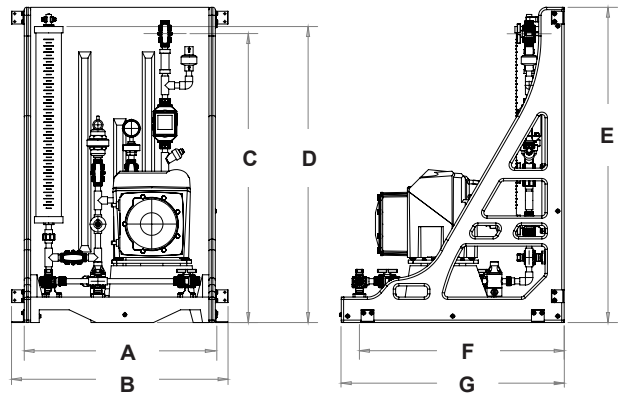
80 lb.  
(36 Kg)

#### Warranty

2 Years

### Dimensions

Dim	Inch	cm	Dim	Inch	cm
A	30.00"	76.20	E	49.50"	125.73
B	34.00"	86.36	F	32.15"	81.65
C	45.37"	115.24	G	35.00"	88.90
D	46.47"	118.04			



### What's in the box

#### Standard

- Pressure Relief Valve
- Check Valve
- Flow Indicator
- Inlet Y Strainer
- Inlet/outlet connection tubing
- Wall/Floor Mounting brackets
- USB Drive (Operating Manual)

#### Optional Components(See product matrix)

- Calibration Cylinder
- Pulsation Dampener
- Pressure Gauge with Guard
- Pressure Switch
- Back Pressure Valve
- MS6 Chemical Flow meter
- Terminal Box
- Electrical Outlet Box



# Model Number Matrix

\*Consult factory for pricing

CFPS-1-M

## CHEM-FEED® Simplex Skid System Matrix - Municipal

**CFPS-1** Single pump system - PE structure

### Inlet/Outlet

<b>A</b>	Single Inlet / Single Outlet
<b>X</b>	None, Skid Panel Only

### Piping/Unions

<b>A</b>	PVC	<b>B</b>	CPVC	<b>C</b>	PVDF	<b>D</b>	Chem Proline®
----------	-----	----------	------	----------	------	----------	---------------

### Seals

<b>V</b>	FKM	<b>E</b>	EPDM
----------	-----	----------	------

### Tubing Connections (Verify tubing connection matches pump outlet when ordering)

<b>A</b>	1/2" ID PVC Braided	<b>B</b>	1/2" ID PTFE	<b>C</b>	1/4" ID PE	<b>D</b>	1/4" ID PTFE
----------	------------------------	----------	-----------------	----------	---------------	----------	-----------------

### Calibration Column

<b>A</b>	128 GPH (4000 mL) PVC	<b>F</b>	3 GPH (100 mL) PVC
<b>B</b>	64 GPH (2000 mL) PVC	<b>P</b>	32 GPH (1000 mL) Glass
<b>C</b>	32 GPH (1000 mL) PVC	<b>Q</b>	16 GPH (500 mL) Glass
<b>D</b>	16 GPH (500 mL) PVC	<b>R</b>	6 GPH (200 mL) Glass
<b>E</b>	8 GPH (250 mL) PVC	<b>S</b>	3 GPH (100 mL) Glass

### Pulsation Dampener

<b>P</b>	10 cubic in	<b>X</b>	Not Included
----------	-------------	----------	--------------

### Back Pressure Valve

<b>B</b>	Included	<b>X</b>	Not Included
----------	----------	----------	--------------

### Pressure Gauge w/Guard

<b>A</b>	200 PSI	<b>B</b>	100 PSI	<b>C</b>	30 PSI
----------	---------	----------	---------	----------	--------

### Pressure Switch w/Guard

<b>S</b>	Included	<b>X</b>	Not Included
----------	----------	----------	--------------

### Flow Meter w/Strainer

<b>A</b>	10-5000 mL/m	<b>B</b>	100-10000 mL/m
<b>X</b>	Not Included		

### Terminal Box

<b>TA</b>	M3S/M4S/MD3S	<b>TD</b>	M3/M4/MD3(Legacy)
<b>TB</b>	M1/MD1	<b>X</b>	Not Included
<b>TC</b>	M2/C2/C3		

### Pumps

<b>P</b>	Mounted	<b>X</b>	Not Included
----------	---------	----------	--------------

\*reference Adapter Kits Sheet 85000-198 when ordering with pumps utilizing "M = 1/2"MNPT" or "F = 1/2"FNPT" connections.

<b>CFPS-1</b>	<b>M</b>	<b>A</b>	<b>A</b>	<b>V</b>	<b>A</b>	<b>-</b>	<b>A</b>	<b>P</b>	<b>B</b>	<b>A</b>	<b>S</b>	<b>A</b>	<b>TA</b>	<b>P</b>	<b>Sample Model Number</b>
---------------	----------	----------	----------	----------	----------	----------	----------	----------	----------	----------	----------	----------	-----------	----------	----------------------------

**NOTE:** When ordering pumps for skids, pump head orientation is standard LEFT facing only. All skids are pressure tested prior to shipment. Pumps are purchased and shipped separately. Contact factory for quote/pricing on 5-point performance testing.

# CFPS-2

## CHEM-FEED® Plastic Duplex Skid System



- > Chemically resistant polyethylene structure
- > Leak free, threadless connections
- > Pressure Relief Valve protects the system from over-pressurization
- > Check Valve protects the user from back-flow
- > Flow Indicator provides a visual indication of chemical movement

### Highlights

#### Piping

PVC Schedule 80  
(optional CPVC, PVDF,  
and Chem Proline®)

#### Pressures up to

150 PSI  
(10.3 bar)

#### Compatibility

M1, M2, M3, M4,  
C2, C3, MD1, MD3

#### Drip tray

2.3 Gal  
(11.4L)

#### Frame material

Polyethylene

#### Mounting position

Floor or wall

#### Skid weight

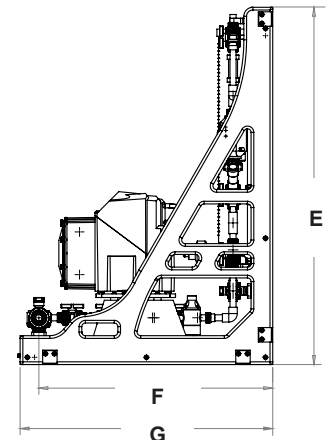
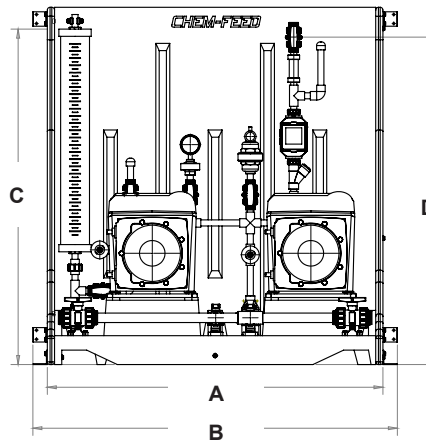
120 lb.  
(54 kg)

#### Warranty

2 Years

### Dimensions

Dim	Inch	cm	Dim	Inch	cm
A	46.50"	118.11	E	49.50"	125.73
B	50.50"	128.27	F	32.40"	82.30
C	46.47"	118.04	G	35.00"	88.90
D	45.37"	115.24			



### What's in the box

#### Standard

- Pressure Relief Valve
- Check Valve
- Flow Indicator
- Inlet Y Strainer
- Inlet/outlet connection tubing
- Wall/Floor Mounting brackets
- USB Drive (Operating Manual)

#### Optional Components(See product matrix)

- Calibration Cylinder
- Pulsation Dampener
- Pressure Gauge with Guard
- Pressure Switch
- Back Pressure Valve
- MS6 Chemical Flow meter
- Terminal Box
- Electrical Outlet Box





# Model Number Matrix

\*Consult factory for pricing

CFPS-2-M

## CHEM-FEED® Duplex Skid System Matrix - Municipal

<b>CFPS-2</b>	Dual pump system - PE structure																		
<b>Inlet/Outlet</b>																			
<b>A</b>	Single Inlet / Single Outlet																		
<b>B</b>	Single Inlet / Dual Outlet																		
<b>X</b>	None, Skid Panel Only																		
<b>Piping/Unions</b>																			
<b>A</b>	PVC				<b>B</b>	CPVC				<b>C</b>	PVDF				<b>D</b>	Chem Proline®			
<b>Seals</b>																			
<b>V</b>	FKM				<b>E</b>	EPDM													
<b>Tubing Connections</b> (Verify tubing connection matches pump outlet when ordering)																			
<b>A</b>	1/2" ID PVC Braided				<b>B</b>	1/2" ID PTFE				<b>C</b>	1/4" ID PE				<b>D</b>	1/4" ID PTFE			
<b>Calibration Column</b>																			
<b>A</b>	128 GPH (4000 mL) PVC				<b>F</b>	3 GPH (100 mL) PVC													
<b>B</b>	64 GPH (2000 mL) PVC				<b>P</b>	32 GPH (1000 mL) Glass													
<b>C</b>	32 GPH (1000 mL) PVC				<b>Q</b>	16 GPH (500 mL) Glass													
<b>D</b>	16 GPH (500 mL) PVC				<b>R</b>	6 GPH (200 mL) Glass													
<b>E</b>	8 GPH (250 mL) PVC				<b>S</b>	3 GPH (100 mL) Glass													
<b>Pulsation Dampener</b> (One dampener provided. Contact factory for second dampener.)																			
<b>P</b>	10 cubic in				<b>X</b>	Not Included													
<b>Back Pressure Valve</b>																			
<b>B</b>	Included				<b>X</b>	Not Included													
<b>Pressure Gauge w/Guard</b>																			
<b>A</b>	200 PSI				<b>B</b>	100 PSI				<b>C</b>	30 PSI								
<b>Pressure Switch w/Guard</b>																			
<b>S</b>	Included				<b>X</b>	Not Included													
<b>Flow Meter w/Strainer</b>																			
<b>A</b>	10-5000 mL/m				<b>B</b>	100-10000 mL/m													
<b>X</b>	Not Included																		
<b>Terminal Box</b>																			
<b>TA</b>	M3S/M4S/MD3S				<b>TD</b>	M3/M4/MD3 (Legacy)													
<b>TB</b>	M1/MD1				<b>X</b>	Not Included													
<b>TC</b>	M2/C2/C3																		
<b>Pumps</b>																			
<b>P</b>	Mounted*				<b>X</b>	Not Included													
*reference Adapter Kits Sheet 85000-198 when ordering with pumps utilizing "M = 1/2"MNPT" or "F = 1/2"FNPT" connections.																			
<b>CFPS-2</b>	<b>M</b>	<b>A</b>	<b>A</b>	<b>V</b>	<b>A</b>	<b>-</b>	<b>A</b>	<b>P</b>	<b>B</b>	<b>A</b>	<b>S</b>	<b>A</b>	<b>TA</b>	<b>P</b>	<b>Sample Model Number</b>				

**NOTE:** When ordering pumps for skids, pump head orientation is standard LEFT facing only. \*When ordering skid with pumps of different model numbers, please include complete model number of each pump and location on skid with order. Contact factory for quote/pricing on 5-point performance testing.

# CFPS-3

## CHEM-FEED® Plastic Triplex Skid System



- > Chemically resistant polyethylene structure
- > Leak free, threadless connections
- > Pressure Relief Valve protects the system from over-pressurization
- > Check Valve protects the user from back-flow
- > Flow Indicator provides a visual indication of chemical movement

### Highlights

#### Piping

PVC Schedule 80  
(optional CPVC, PVDF,  
and Chem Proline®)

#### Pressures up to

150 PSI  
(10.3 bar)

#### Compatibility

M1, M2, M3, M4,  
C2, C3, MD1, MD3

#### Drip tray

2.74 Gallons  
(10.37L)

#### Frame material

Polyethylene

#### Mounting position

Floor only

#### Skid weight

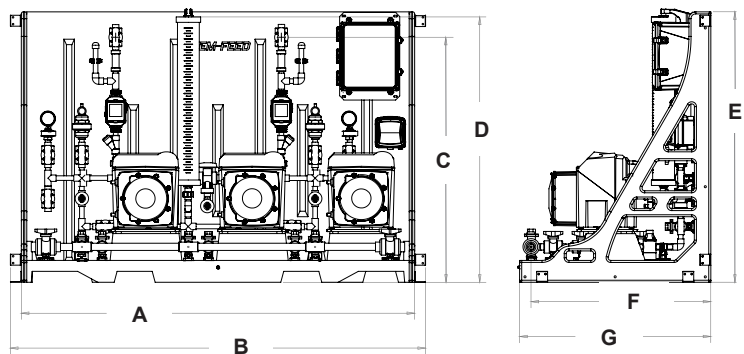
200 lb.  
(91 Kg)

#### Warranty

2 Years

### Dimensions

Dim	Inch	cm	Dim	Inch	cm
A	72.00"	182.88	E	49.50"	125.73
B	76.00"	193.04	F	32.91"	83.59
C	44.85"	113.92	G	35.00"	88.90
D	48.57"	123.37			



### What's in the box

#### Standard

- Pressure Relief Valve
- Check Valve
- Flow Indicator
- Inlet Y Strainer
- Inlet/outlet connection tubing
- Wall/Floor Mounting brackets
- USB Drive (Operating Manual)

#### Optional Components(See product matrix)

- Calibration Cylinder
- Pulsation Dampener
- Pressure Gauge with Guard
- Pressure Switch
- Back Pressure Valve
- MS6 Chemical Flow meter
- Terminal Box
- Electrical Outlet Box



# Model Number Matrix

\*Consult factory for pricing

CFPS-3-M

## CHEM-FEED® Triplex Skid System Matrix - Municipal

<b>CFPS-3</b>	Triplex pump system - PE structure
---------------	------------------------------------

### Inlet/Outlet

<b>A</b>	Single Inlet / Dual Outlet
<b>B</b>	Single Inlet / Triple Outlet
<b>X</b>	None, Skid Panel Only

### Piping/Unions

<b>A</b>	PVC	<b>B</b>	CPVC	<b>C</b>	PVDF	<b>D</b>	Chem Proline®
----------	-----	----------	------	----------	------	----------	---------------

### Seals

<b>V</b>	FKM	<b>E</b>	EPDM
----------	-----	----------	------

### Tubing Connections (Verify tubing connection matches pump outlet when ordering)

<b>A</b>	1/2" ID PVC Braided	<b>B</b>	1/2" ID PTFE	<b>C</b>	1/4" ID PE	<b>D</b>	1/4" ID PTFE
----------	------------------------	----------	-----------------	----------	---------------	----------	-----------------

### Calibration Column

<b>A</b>	128 GPH (4000 mL) PVC	<b>F</b>	3 GPH (100 mL) PVC
<b>B</b>	64 GPH (2000 mL) PVC	<b>P</b>	32 GPH (1000 mL) Glass
<b>C</b>	32 GPH (1000 mL) PVC	<b>Q</b>	16 GPH (500 mL) Glass
<b>D</b>	16 GPH (500 mL) PVC	<b>R</b>	6 GPH (200 mL) Glass
<b>E</b>	8 GPH (250 mL) PVC	<b>S</b>	3 GPH (100 mL) Glass

### Pulsation Dampener (Two dampeners provided)

<b>P</b>	10 cubic in	<b>X</b>	Not Included
----------	-------------	----------	--------------

### Back Pressure Valve

<b>B</b>	Included	<b>X</b>	Not Included
----------	----------	----------	--------------

### Pressure Gauge w/Guard

<b>A</b>	200 PSI	<b>B</b>	100 PSI	<b>C</b>	30 PSI
----------	---------	----------	---------	----------	--------

### Pressure Switch w/Guard

<b>S</b>	Included	<b>X</b>	Not Included
----------	----------	----------	--------------

### Flow Meter w/Strainer

<b>A</b>	10-5000 mL/m	<b>B</b>	100-10000 mL/m
<b>X</b>	Not Included		

### Terminal Box

<b>TA</b>	M3S/M4S/MD3S	<b>TD</b>	M3/M4/MD3 (Legacy)
<b>TB</b>	M1/MD1	<b>X</b>	Not Included
<b>TC</b>	M2/C2/C3		

### Pumps

<b>P</b>	Mounted*	<b>X</b>	Not Included
----------	----------	----------	--------------

\*reference Adapter Kits Sheet 85000-198 when ordering with pumps utilizing "M = 1/2"MNPT" or "F = 1/2"FNPT" connections.

<b>CFPS-3</b>	<b>M</b>	<b>A</b>	<b>A</b>	<b>V</b>	<b>A</b>	<b>-</b>	<b>A</b>	<b>P</b>	<b>B</b>	<b>A</b>	<b>S</b>	<b>A</b>	<b>TA</b>	<b>P</b>	<b>Sample Model Number</b>
---------------	----------	----------	----------	----------	----------	----------	----------	----------	----------	----------	----------	----------	-----------	----------	----------------------------

**NOTE:** When ordering pumps for skids, pump head orientation is standard LEFT facing only. When ordering skid with pumps of different model numbers, please include complete model number of each pump and location on skid with order. Contact factory for quote/pricing on 5-point performance testing.

# CFWS-1

## CHEM-FEED® Wall Mount Simplex Skid System

- > Chemically resistant polyethylene structure
- > Leak free, threadless connections
- > Pressure Relief Valve protects the system from over-pressurization
- > Check Valve protects the user from back-flow
- > Flow Indicator provides a visual indication of chemical movement



### Highlights

#### Piping

PVC Schedule 80  
(optional CPVC, PVDF,  
and Chem Proline®)

#### Pressures up to

150 PSI  
(10.3 bar)

#### Compatibility

M1, M2, M3, M4,  
C2, C3, MD1, MD3

#### Pump Shelf

Polyethylene

#### Frame material

Polyethylene

#### Mounting position

Wall Only

#### Skid weight

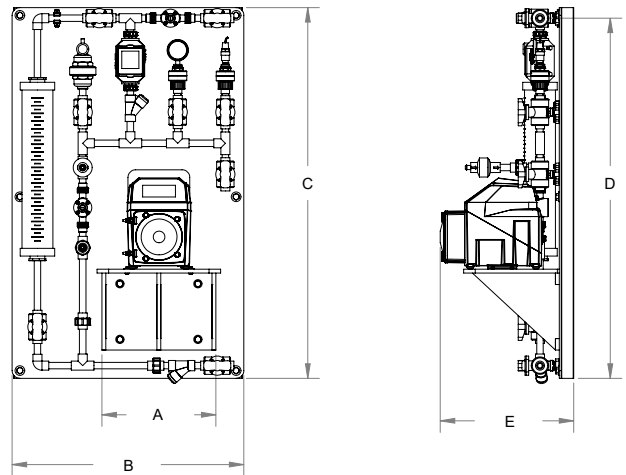
45 lb.  
(20 Kg)

#### Warranty

2 Years

### Dimensions

Dim	Inch	cm	Dim	Inch	cm
A	14.75"	37.5	D	46.63"	118.4
B	30.00"	76.2	E	17.29"	43.9
C	48.00"	121.9			



### What's in the box

#### Standard

- Pressure Relief Valve
- Check Valve
- Inlet Y Strainer
- Inlet/outlet connection tubing
- Wall Mounting brackets
- USB Drive (Operating Manual)

#### Optional Components(See product matrix)

- Calibration Cylinder
- Pulsation Dampener
- Pressure Gauge with Guard
- Pressure Switch
- Back Pressure Valve
- MS6 Chemical Flow meter
- Terminal Box
- Electrical Outlet Box



# Model Number Matrix

\*Consult factory for pricing

CFWS-1-M

## CHEM-FEED® Simplex Wall Skid System Matrix - Municipal

**CFWS-1** Single pump system - single chemical / single outlet, PE structure

### Inlet/Outlet

<b>A</b>	Single Inlet / Single Outlet
<b>X</b>	None, Skid Panel Only

### Piping/Unions

<b>A</b>	PVC	<b>C</b>	PVDF
<b>B</b>	CPVC	<b>D</b>	CHEM PROLINE®

### Seals

<b>V</b>	FKM	<b>E</b>	EPDM
----------	-----	----------	------

### Tubing Connections (Verify tubing connection matches pump outlet when ordering)

<b>A</b>	1/2" ID PVC Braided	<b>C</b>	1/4" ID PE
<b>B</b>	1/2" ID PTFE	<b>D</b>	1/4" ID PTFE

### Calibration Column

<b>A</b>	128 GPH (4000 mL) PVC	<b>F</b>	3 GPH (100 mL) PVC
<b>B</b>	64 GPH (2000 mL) PVC	<b>P</b>	32 GPH (1000 mL) Glass
<b>C</b>	32 GPH (1000 mL) PVC	<b>Q</b>	16 GPH (500 mL) Glass
<b>D</b>	16 GPH (500 mL) PVC	<b>R</b>	6 GPH (200 mL) Glass
<b>E</b>	8 GPH (250 mL) PVC	<b>S</b>	3 GPH (100 mL) Glass

### Pulsation Dampener

<b>P</b>	10 cubic in	<b>X</b>	Not Included
----------	-------------	----------	--------------

### Back Pressure Valve

<b>B</b>	Included	<b>X</b>	Not Included
----------	----------	----------	--------------

### Pressure Gauge w/Guard

<b>A</b>	200 PSI	<b>B</b>	100 PSI	<b>C</b>	30 PSI
----------	---------	----------	---------	----------	--------

### Pressure Switch w/Guard

<b>S</b>	Included	<b>X</b>	Not Included
----------	----------	----------	--------------

### Flow Meter w/Strainer

<b>A</b>	10-5000 mL/min
<b>B</b>	100-10000 mL/min
<b>X</b>	Not Included

\*reference Adapter Kits Sheet 85000-198 when ordering with pumps utilizing "M = 1/2"MNPT" or "F = 1/2"FNPT" connections.

**CFWS-1 M A A V A A P B A S A X X Sample Model Number**

**NOTES:** When ordering pumps for skids, pump head orientation is standard LEFT facing only. Terminal Boxes quoted and mounted separately. All skids are pressure tested prior to shipment. Pumps are purchased and shipped separately. Contact factory for quote/pricing on 5-point performance testing.

# CFWS-2

## CHEM-FEED® Wall Mount Duplex Skid System

- > Chemically resistant polyethylene structure
- > Leak free, threadless connections
- > Pressure Relief Valve protects the system from over-pressurization
- > Check Valve protects the user from back-flow
- > Flow Indicator provides a visual indication of chemical movement



### Highlights

#### Piping

PVC Schedule 80  
(optional CPVC, PVDF,  
and Chem Proline®)

#### Pressures up to

150 PSI  
(10.3 bar)

#### Compatibility

M1, M2, M3, M4,  
C2, C3, MD1, MD3

#### Pump Shelf

Polyethylene

#### Frame material

Polyethylene

#### Mounting position

Floor only

#### Skid weight

80 lb.  
(36 Kg)

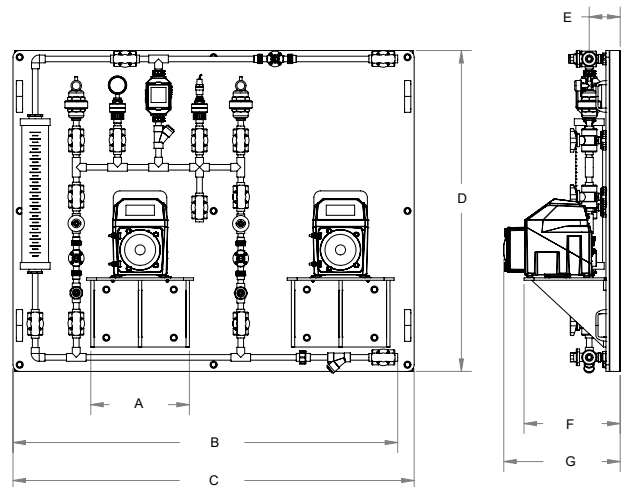
#### Warranty

2 Years

### Dimensions

Dim	Inch	cm
A	14.75"	37.5
B	57.53"	146.1
C	60.00"	152.4
D	48.00"	121.9

Dim	Inch	cm
E	4.63"	117.0
F	14.38"	36.5
G	17.41"	44.2



### What's in the box

#### Standard

- Pressure Relief Valve
- Check Valve
- Inlet Y Strainer
- Inlet/outlet connection tubing
- Wall Mounting brackets
- USB Drive (Operating Manual)

#### Optional Components(See product matrix)

- Calibration Cylinder
- Pulsation Dampener
- Pressure Gauge with Guard
- Pressure Switch
- Back Pressure Valve
- MS6 Chemical Flow meter
- Terminal Box
- Electrical Outlet Box



# Model Number Matrix

\*Consult factory for pricing

CFWS-2

## CHEM-FEED® Duplex Wall Skid System Matrix - Municipal

**CFWS-2** Duplex pump system - single chemical / single outlet, PE structure

### Inlet/Outlet

<b>A</b>	Single Inlet / Single Outlet
<b>X</b>	None, Skid Panel Only

### Piping/Unions

<b>A</b>	PVC	<b>C</b>	PVDF
<b>B</b>	CPVC	<b>D</b>	CHEM PROLINE®

### Seals

<b>V</b>	FKM	<b>E</b>	EPDM
----------	-----	----------	------

### Tubing Connections (Verify tubing connection matches pump outlet when ordering)

<b>A</b>	1/2" ID PVC Braided	<b>C</b>	1/4" ID PE
<b>B</b>	1/2" ID PTFE	<b>D</b>	1/4" ID PTFE

### Calibration Column

<b>A</b>	128 GPH (4000 mL) PVC	<b>F</b>	3 GPH (100 mL) PVC
<b>B</b>	64 GPH (2000 mL) PVC	<b>P</b>	32 GPH (1000 mL) Glass
<b>C</b>	32 GPH (1000 mL) PVC	<b>Q</b>	16 GPH (500 mL) Glass
<b>D</b>	16 GPH (500 mL) PVC	<b>R</b>	6 GPH (200 mL) Glass
<b>E</b>	8 GPH (250 mL) PVC	<b>S</b>	3 GPH (100 mL) Glass

### Pulsation Dampener (10 cubic in.)

<b>P</b>	Two Dampeners	<b>D</b>	One Dampener	<b>X</b>	Not Included
----------	---------------	----------	--------------	----------	--------------

### Back Pressure Valve

<b>B</b>	Included	<b>X</b>	Not Included
----------	----------	----------	--------------

### Pressure Gauge w/Guard

<b>A</b>	200 PSI	<b>B</b>	100 PSI	<b>C</b>	30 PSI
----------	---------	----------	---------	----------	--------

### Pressure Switch w/Guard

<b>S</b>	Included	<b>X</b>	Not Included
----------	----------	----------	--------------

### Flow Meter w/Strainer

<b>A</b>	10-5000 mL/min
<b>B</b>	100-10000 mL/min
<b>X</b>	Not Included

\*reference Adapter Kits Sheet 85000-198 when ordering with pumps utilizing "M = 1/2"MNPT" or "F = 1/2"FNPT" connections.

**CFWS-2 M A A V A A P B A S A X X Sample Model Number**

**NOTES:** When ordering pumps for skids, pump head orientation is standard LEFT facing only. Terminal Boxes quoted and mounted separately. All skids are pressure tested prior to shipment. Pumps are purchased and shipped separately. Contact factory for quote/pricing on 5-point performance testing.

# CFS-1

## CHEM-FEED® Aluminum Simplex Skid System



- > The pre-fabricated design allows for easy installation
- > Strong, lightweight polyester powder coated welded aluminum structure
- > Dual side inlets enable connection of multiple skids to the same inlet
- > Flow Indicator provides a visual indication of chemical movement
- > Optional Flow Verification Sensor for monitoring system

### Highlights

#### Piping

PVC Schedule 80  
(optional CPVC)

#### Pressures up to

150 PSI  
(10.3 bar)

#### Compatibility

M1, M2, M3, M4,  
C2, C3, MD1, MD3

#### Drip tray

4 Gallons  
(15.1L)

#### Frame material

Powder coated  
aluminum

#### Mounting position

Floor or wall

#### Skid weight

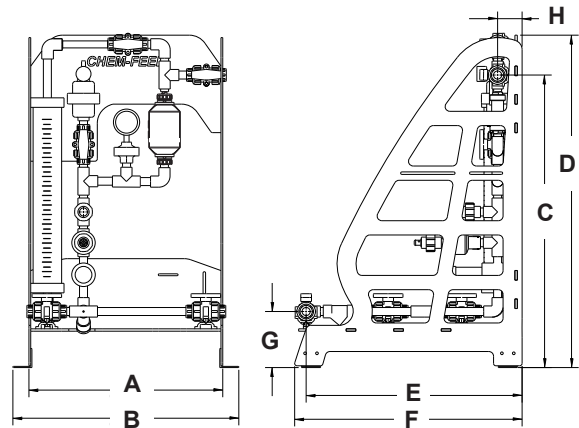
60 lb.  
(27.2 kg)

#### Warranty

2 Years

### Dimensions

Dim	Inch	cm	Dim	Inch	cm
A	20.25"	51.40	E	22.75"	57.80
B	23.75"	60.30	F	24.00"	61.00
C	30.75"	78.10	G	6.00"	15.20
D	35.00"	88.90	H	2.50"	6.40



### What's in the box

#### Standard

- Pressure Relief Valve
- Check Valve
- Flow Indicator
- Inlet Y Strainer
- Mounting Pads
- USB Drive (Operating Manual)

#### Optional Components(See product matrix)

- MS6 Chemical Flow meter
- Calibration Cylinder
- Pulsation Dampener
- Pressure Gauge with Guard





# Model Number Matrix

**\*Consult factory for pricing**

## CHEM-FEED® Engineered Skid System - Municipal

<b>CFS-1</b>	Municipal Single pump system - single chemical / single outlet
--------------	--

### Piping / Valves / Unions / Seal Materials (Verify tubing connection matches pump outlet when ordering)

<b>A</b>	PVC piping, FKM seals, 1/2" ID PVC braided tubing connections	<b>E</b>	CPVC piping, FKM seals 1/2" ID PVC braided tubing connections
<b>B</b>	PVC piping, EPDM seals, 1/2" ID PVC braided tubing connections	<b>F</b>	CPVC piping, EPDM seals 1/2" ID OD PVC braided tubing connections
<b>C</b>	PVC piping, FKM seals, 1/4" ID polyethylene tubing connections	<b>G</b>	CPVC piping, FKM seals 1/4" ID Polyethylene tubing connections
<b>D</b>	PVC piping, EPDM seals, 1/4" ID Polyethylene tubing connections	<b>H</b>	CPVC piping, EPDM seals 1/4" ID Polyethylene tubing connections
<b>X</b>	Skid frame only without piping		

### Structure Assembly Materials

<b>A</b>	Chemical resistant powder coated aluminum stand with 316SS mounting pads
----------	--

### Chemical Feed Flow Meter

<b>A</b>	MS612 chemical feed flow meter with meter mount display, 10-5,000 mL/min (0.158 - 79.2 GPH)
<b>B</b>	MS622 chemical feed flow meter with meter mount display, 100-10,000 mL/min (1.58 - 158.5 GPH)
<b>X</b>	None

### Calibration Cylinder

		PVC		Glass	
<b>A</b>	64 GPH (2000 mL)	<b>A</b>			
<b>B</b>	32 GPH (1000 mL)	<b>B</b>		<b>P</b>	32 GPH (1000 mL)
<b>C</b>	16 GPH (500 mL)	<b>C</b>		<b>Q</b>	16 GPH (500 mL)
<b>D</b>	8 GPH (250 mL)	<b>D</b>		<b>R</b>	6 GPH (200 mL)
<b>E</b>	3 GPH (100 mL)	<b>E</b>		<b>S</b>	3 GPH (100 mL)
<b>X</b>	None				

### Pulsation Dampener

<b>A</b>	10 cubic inch, CPVC body, PTFE diaphragm	<b>X</b>	NONE
----------	--	----------	------

### Pressure Gauge w/Guard

<b>A</b>	200 PSI gauge, PTFE diaphragm	<b>C</b>	30 PSI gauge, PTFE diaphragm
<b>B</b>	100 PSI gauge, PTFE diaphragm	<b>X</b>	None

### Pump Isolation Valve

<b>(Blank)</b>	None
<b>A</b>	Isolation ball shut-off valves at check valve

*\*reference Adapter Kits Sheet 85000-198 when ordering with pumps utilizing "M = 1/2"MNPT" or "F = 1/2"FNPT" connections.*

<b>CFS-1</b>	<b>A</b>	<b>A</b>	<b>-</b>	<b>A</b>	<b>A</b>	<b>A</b>	<b>A</b>	<b>-</b>	<b>(Blank)</b>	<b>A</b>	<b>Sample Model Number</b>
--------------	----------	----------	----------	----------	----------	----------	----------	----------	----------------	----------	----------------------------

**NOTES:** When ordering pumps for skids, pump head orientation is standard LEFT facing only. Terminal Boxes quoted and mounted separately. All skids are pressure tested prior to shipment. Pumps are purchased and shipped separately. Contact factory for quote/pricing on 5-point performance testing.

# CFS-2

## CHEM-FEED® Aluminum Duplex Skid System

- > The pre-fabricated design allows for easy installation
- > Strong, lightweight polyester powder coated welded aluminum structure
- > Dual side inlets enable connection of multiple skids to the same inlet
- > Flow Indicator provides a visual indication of chemical movement
- > Optional Flow Verification Sensor for monitoring system



### Highlights

#### Piping

PVC Schedule 80  
(optional CPVC)

#### Pressures up to

150 PSI  
(10.3 bar)

#### Compatibility

M1, M2, M3, M4,  
C2, C3, MD1, MD3

#### Drip tray

8 Gallons  
(30.3L)

#### Frame material

Powder coated  
aluminum

#### Mounting position

Floor or wall

#### Skid weight

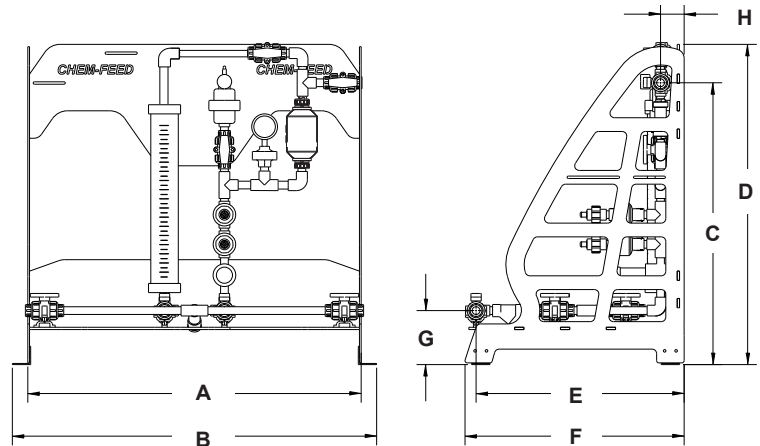
70 lb.  
(31.8 kg)

#### Warranty

2 Years

### Dimensions

Dim	Inch	cm	Dim	Inch	cm
A	36.25"	92.10	E	22.75"	57.80
B	39.75"	101.00	F	24.00"	61.00
C	30.75"	78.10	G	6.00"	15.20
D	35.00"	88.90	H	2.50"	6.40



### What's in the box

#### Standard

- Pressure Relief Valve
- Check Valve
- Flow Indicator
- Inlet Y Strainer
- Mounting Pads
- USB Drive (Operating Manual)

#### Optional Components(See product matrix)

- MS6 Chemical Flow meter
- Calibration Cylinder
- Pulsation Dampener
- Pressure Gauge with Guard



# Model Number Matrix

## CHEM-FEED® Engineered Skid System - Municipal

\*Consult factory for pricing

**CFS-2** Municipal Dual pump system - single chemical / single outlet

### Piping / Valves / Unions / Seal Materials (Verify tubing connection matches pump outlet when ordering)

<b>A</b>	PVC piping, FKM seals, 1/2" ID PVC braided tubing connections	<b>E</b>	CPVC piping, FKM seals, 1/2" ID PVC braided tubing connections
<b>B</b>	PVC piping, EPDM seals, 1/2" ID PVC braided tubing connections	<b>F</b>	CPVC piping, EPDM seals, 1/2" ID PVC braided tubing connections
<b>C</b>	PVC piping, FKM seals, 1/4" ID polyethylene tubing connections	<b>G</b>	CPVC piping, FKM seals, 1/4" ID Polyethylene tubing connections
<b>D</b>	PVC piping, EPDM seals, 1/4" ID Polyethylene tubing connections	<b>H</b>	CPVC piping, EPDM seals, 1/4" ID Polyethylene tubing connections
<b>X</b>	Skid frame only without piping		

### Structure Assembly Materials

<b>A</b>	Chemical resistant powder coated aluminum stand with 316SS mounting pads
----------	--

### Chemical Feed Flow Meter

<b>A</b>	MS612 chemical feed flow meter with meter mount display, 10-5,000 mL/min (0.158 - 79.2 GPH)
<b>B</b>	MS622 chemical feed flow meter with meter mount display, 100-10,000 mL/min (1.58 - 158.5 GPH)
<b>X</b>	None

Calibration Cylinder	PVC		Glass	
<b>A</b> 64 GPH (2000 mL)	<b>A</b>			
<b>B</b> 32 GPH (1000 mL)	<b>B</b>		<b>P</b>	32 GPH (1000 mL)
<b>C</b> 16 GPH (500 mL)	<b>C</b>		<b>Q</b>	16 GPH (500 mL)
<b>D</b> 8 GPH (250 mL)	<b>D</b>		<b>R</b>	6 GPH (200 mL)
<b>E</b> 3 GPH (100 mL)	<b>E</b>		<b>S</b>	3 GPH (100 mL)
<b>X</b> None				

### Pulsation Dampener

<b>A</b>	10 cubic inch, CPVC body, PTFE diaphragm	<b>X</b>	None
----------	--	----------	------

### Pressure Gauge w/Guard

<b>A</b>	200 PSI gauge, PTFE diaphragm	<b>C</b>	30 PSI gauge, PTFE diaphragm
<b>B</b>	100 PSI gauge, PTFE diaphragm	<b>X</b>	None

### Pump Isolation Valves

<b>(Blank)</b>	None
<b>A</b>	Isolation ball shut-off valves at check valves

### Piping Orientation

<b>(Blank)</b>	Standard
<b>R</b>	Reversed

\*reference Adapter Kits Sheet 85000-198 when ordering with pumps utilizing "M = 1/2"MNPT" or "F = 1/2"FNPT" connections.

<b>CFS-2</b>	<b>A</b>	<b>A</b>	<b>-</b>	<b>A</b>	<b>A</b>	<b>A</b>	<b>A</b>	<b>-</b>	<b>(Blank)</b>	<b>R</b>	<b>Sample Model Number</b>
--------------	----------	----------	----------	----------	----------	----------	----------	----------	----------------	----------	----------------------------

**NOTES:** When ordering pumps for skids, pump head orientation is standard LEFT facing for right pump, and Right facing for left pump.. Terminal Boxes quoted and mounted separately. All skids are pressure tested prior to shipment. Pumps are purchased and shipped separately. Contact factory for quote/pricing on 5-point performance testing.

# PUMP to SKID ADAPTER KITS

An adapter kit must be added to order of a skid (single, duplex, triplex) with the following pumps:

A1, M1, A2, M2, A3, M3, A4, M4. (with "M" type tube fittings)

C2, C3. (with "F" type connections.)

(Kits are not necessary when ordering CD3 or MD3 pumps, or pumps with "S", "B", or "Q" tube fittings.)

Number of adapter kits ordered must equal number of pumps. No extra charge for the Kits when ordered with skids.

## A1 / M1 Pumps with M type tube fittings



[KIT-CSP] 72000-789: Kit Coupling S/A .37T .50F/NPT PVC  
[KIT-CSC] 72000-791: Kit Coupling S/A .37T .50F/NPT CPVC



[KIT-CBP] 72000-788: Kit Coupling S/A .50 Barb .50F/NPT PVC  
[KIT-CBC] 72000-790: Kit Coupling S/A .50 Barb .50F/NPT CPVC

## A2/M2, A3/M3, A4/M4 Pumps w/ M type tube fittings



[KIT-USPV] 72000-781: Kit Union S/A .37T .50F/NPT PVC/FKM  
[KIT-USPE] 72000-782: Kit Union S/A .37T .50F/NPT PVC/EP  
[KIT-USCV] 72000-785: Kit Union S/A .37T .50F/NPT CPVC/FKM  
[KIT-USCE] 72000-786: Kit Union S/A .37T .50F/NPT CPVC/EP



[KIT-UBPV] 72000-779: Kit Union S/A .50 Barb .50F/NPT PVC/FKM  
[KIT-UBPE] 72000-780: Kit Union S/A .50 Barb .50F/NPT PVC/EP  
[KIT-UBCV] 72000-783: Kit Union S/A .50 Barb .50F/NPT CPVC/FKM  
[KIT-UBCE] 72000-784: Kit Union S/A .50 Barb .50F/NPT CPVC/EP

## C2 / C3 Pumps with F type connections



[KIT-EBP] 72000-787: Kit Elbow S/A .50 Barb .50 M/NPT PVC

## Notes:

# SKID SYSTEM WARRANTY

## LIMITED WARRANTY

Your Blue-White product is a quality product and is warranted for a specific time from date of purchase (proof of purchase is required). The product will be repaired or replaced at our discretion. Failure must have occurred due to defect in material or workmanship and not as a result of operation of the product other than in normal operation as defined in the product manual. Warranty status is determined by the product's serial label and the sales invoice or receipt. The serial label must be on the product and legible. The warranty status of the product will be verified by Blue-White or a factory authorized service center.

CHEM-FEED® skid systems are warranted for 2 years from date of purchase (proof of purchase is required). The system will be repaired or replaced at our discretion. The metering pump may have its own warranty and is not covered under this warranty.

## WHAT IS NOT COVERED

- Pump removal, or re-installation, and any related labor charge.
- Freight to the factory, or service center.
- Products that have been tampered with, or in pieces.
- Damage resulting from misuse, carelessness such as chemical spills on the enclosure, abuse, lack of maintenance, or alteration which is out of our control.
- Damage by faulty wiring, power surges or acts of nature.

BLUE-WHITE does not assume responsibility for any loss, damage, or expense directly or indirectly related to or arising out of the use of its products. Failure must have occurred due to defect in material or workmanship and not as a result of operation of the product other than in normal operation as defined in the pump manual.

Warranty status is determined by the pump's serial label and the sales invoice or receipt. The serial label must be on the pump and legible. The warranty status of the pump will be verified by Blue-White or a factory authorized service center.

## PROCEDURE FOR IN WARRANTY REPAIR

Warranty service must be performed by the factory or an authorized service center. Contact the factory or local repair center to obtain a RMA (Return Material Authorization) number. It is recommended to include foot strainer and injection/check valve fitting since these devices may be clogged and part of the problem. Decontaminate, dry, and carefully pack the product to be repaired. Please enclose a brief description of the problem and proof of purchase. Prepay all shipping and insurance cost. COD shipments will not be accepted. Damage caused by improper packaging is the responsibility of the sender. When In-Warranty repair is completed, the factory pays for return shipping to the dealer or customer.

## PRODUCT USE WARNING

Blue-White products are manufactured to meet the highest quality standards in the industry. Each product instruction manual includes a description of the associated product warranty and provides the user with important safety information. Purchasers, installers, and operators of Blue-White products should take the time to inform themselves about the safe operation of these products. In addition, Customers are expected to do their own due diligence regarding which products and materials are best suited for their intended applications. BLUE-WHITE is pleased to assist in this effort but does not guarantee the suitability of any particular product for any specific application as Blue-White does not have the same degree of familiarity with the application that the customer/end user has. While BLUE-WHITE will honor all of its product warranties according to their terms and conditions, Blue-White shall only be obligated to repair or replace its defective parts or products in accordance with the associated product warranties.

**BLUE-WHITE SHALL NOT BE LIABLE EITHER IN TORT OR IN CONTRACT FOR ANY LOSS OR DAMAGE WHETHER DIRECT, INDIRECT, INCIDENTAL, OR CONSEQUENTIAL, ARISING OUT OF OR RELATED TO THE FAILURE OF ANY OF ITS PARTS OR PRODUCTS OR OF THEIR NONSUITABILITY FOR A GIVEN PURPOSE OR APPLICATION.**

## CHEMICAL RESISTANCE WARNING

BLUE-WHITE offers a wide variety of wetted parts. Purchasers, installers, and operators of Blue-White products must be well informed and aware of the precautions to be taken when injecting or measuring various chemicals, especially those considered to be irritants, contaminants or hazardous. Customers are expected to do their own due diligence regarding which products and materials are best suited for their applications, particularly as it may relate to the potential effects of certain chemicals on Blue-White products and the potential for adverse chemical interactions. Blue-White tests its products with water only. The chemical resistance information included in this instruction manual was supplied to BLUE-WHITE by reputable sources, but Blue-White is not able to vouch for the accuracy or completeness thereof. While BLUE-WHITE will honor all of its product warranties according to their terms and conditions, Blue-White shall only be obligated to repair or replace its defective parts or products in accordance with the associated product warranties.

**BLUE-WHITE SHALL NOT BE LIABLE EITHER IN TORT OR IN CONTRACT FOR ANY LOSS OR DAMAGE, WHETHER DIRECT, INDIRECT, INCIDENTAL, OR CONSEQUENTIAL, ARISING OUT OF OR RELATED TO THE USE OF CHEMICALS IN CONNECTION WITH ANY BLUE-WHITE PRODUCTS.**

Users of electrical and electronic equipment (EEE) with the WEEE marking per Annex IV of the WEEE Directive must not dispose of end of life EEE as unsorted municipal waste, but use the collection framework available to them for the return, recycle, recovery of WEEE and minimize any potential effects of EEE on the environment and human health due to the presence of hazardous substances. The WEEE marking applies only to countries within the European Union (EU) and Norway. Appliances are labeled in accordance with European Directive 2002/96/EC. Contact your local waste recovery agency for a Designated Collection Facility in your area.

# MUNICIPAL

## Water Analyzers

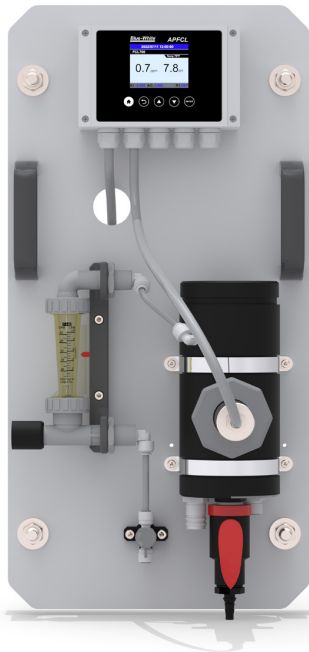
**Blue-White**<sup>®</sup>

**Blue-White®**

Engineering and Technical Data

# APFCL

## Online Chlorine + pH Analyzer



### Key Features

- Turn-Key Monitoring Solution for Clean Water Applications
- Highly Accurate, Real-Time Measurement, Display, and Data-Logging
- Chlorine (Free or Total), pH, and Temperature
- Color Display and Data-Logging Terminal
- FCL700 Smart Sensor
- EPA 334.0 / ISO 7393 Compliant

### Highlights

**Free Chlorine Method**

Bare Gold - Electrochemical Method  
Chlorine Range: 0.1 - 5 PPM

**pH Method**

Electrochemical Method

**Sensor**

Self-Cleaning  
Flat Electrode

**Compensation**

Built-in Temperature and pH  
Parameter Compensation

**Sampling Chamber**

WR05 Sensor Flow Reservoir

**Warranty**

13 Months

### Typical Applications

- Drinking Water / Domestic Water
- Secondary Water Supply
- Sanitary Water
- Decorative Water / Swimming Water
- Food & Beverage Process Water
- RO Feedwater



For more help and information regarding **APFCL**, please visit [www.blue-white.com](http://www.blue-white.com) or scan this QR code.



## APFCL Analyzer Panel

### Model Number

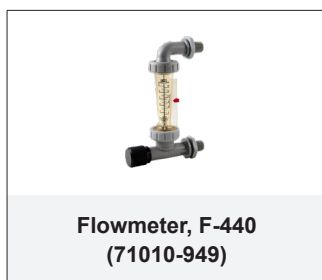
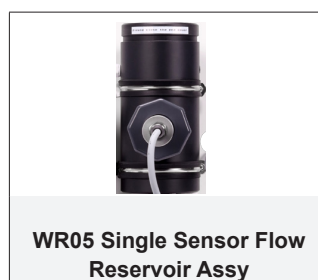
**APFCL** Chlorine Analyzer Panel (Chlorine, pH, Temperature)

Includes: TS05 5" Touchscreen Display, WR-05 Flow Reservoir, FCL700 Chlorine/pH/Temperature Sensor, Assembled Panel with Flowmeter, 110VAC Power Cord.

- Power Requirement 110/220VAC / 50-60 Hz, 0.6 A

- CE, RoHS, EPA-334.0 and ISO-7393

### Replacement Parts and Accessories



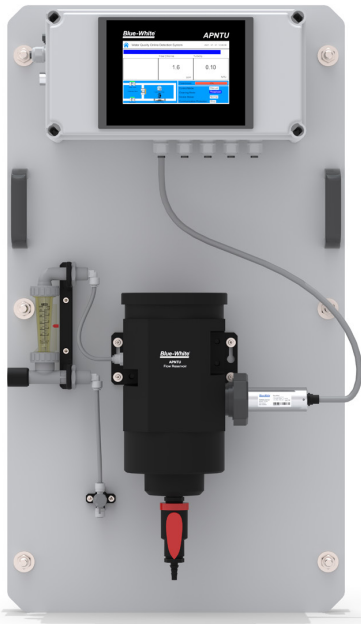
Sensor Cleaning Solution (90008-988)

AP-MA1.5-CR 1.5 meter Short Cable - 8Pin x Flying leads (90008-954)

pH Calibration Combo Pack (4, 7, 10 pH) (90008-983)

**Blue-White®**

Engineering and Technical Data



# APNTU

## Online Turbidity Analyzer

### Key Features

- Turn-Key Monitoring Solution for Clean Water Applications
- Highly Accurate, Real-Time Measurement, Display, and Data-Logging
- Ultra-Low Turbidity Range
- Touch Screen Display and Data-Logging Terminal
- UT700 Ultra-Low Turbidity Sensor with Unique Flat Surface Distal End in Quartz Glass Plate
- EPA 180.1 Compliant

### Highlights

#### Turbidity Dual Range

.001 - 10 / 10 - 40.00 NTU

#### Turbidity Accuracy

+/- 0.005 NTU or  
2% <10NTU

#### Turbidity Repeatability

+/- 0.001 NTU or  
0.5% <10NTU

#### Sampling Chamber

Single-Sensor Flow Reservoir

#### Sensor

White Light (LED)  
Flat Electrode

#### Warranty

13 Months

### Typical Applications

- Drinking Water
- Domestic Water
- Secondary Water Supply
- Sanitary Water



For more help and information regarding APNTU, please visit [www.blue-white.com](http://www.blue-white.com) or scan this QR code.

## APNTU Analyzer Panel

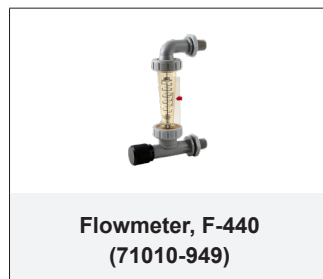
### Model Number

**APNTU** Turbidity Analyzer Panel (Turbidity)

Includes: TS10 7" Touchscreen Display, WR-10 Single Sensor Flow Reservoir, UT700 Turbidity Sensor, Assembled Panel with Flowmeter, 110VAC Power Cord.

- Power Requirement 96-260 VAC / 50-60 Hz: 10A Fuse: 200W

- CE, RoHS, EPA-180.1/334.0



\*500ml 10 NTU Calibration Standard (90008-973)

\*500ml 20 NTU Calibration Standard (90008-974)

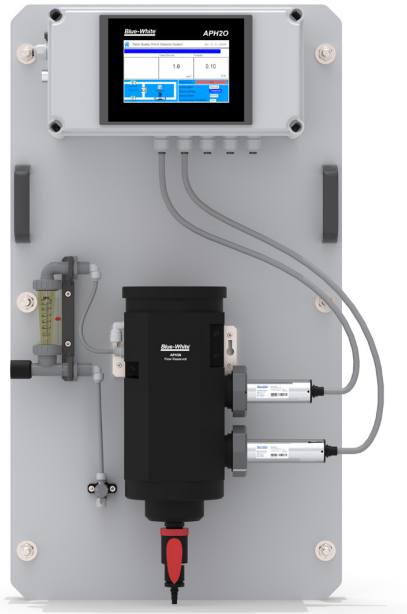
Sensor Cleaning Solution (90008-988)

AP-MA1.5-CR 1.5 meter Short Cable - 8Pin x Flying leads (90008-954)



# APH20

## Multi Parameter Online Analyzer



### Key Features

- Turn-Key Monitoring Solution for Clean Water Applications
- Highly Accurate, Real-Time Measurement, Display, and Data-Logging
- Ultra-Low Turbidity, Chlorine (Free or Total), pH, and Temperature
- Touch Screen Display and Data-Logging Terminal
- FCL700 Smart Sensor
- UT700 Ultra-Low Turbidity Sensor with Unique Flat Surface Distal End in Quartz Glass Plate
- EPA 334.0 / ISO 7393 / EPA 180.1 Compliant

### Highlights

#### Turbidity Dual Range

.001 – 10 / 10 – 40.00 NTU

#### Turbidity Accuracy

+/- 0.005 NTU or  
2% <10NTU

#### Turbidity Repeatability

+/- 0.001 NTU or  
0.5% <10NTU

#### Free Chlorine Method

Bare Gold - Electrochemical Method  
Chlorine Range: 0.1–5 PPM

#### pH Method

Electrochemical Method

#### Sensors

White Light (LED) Flat Electrode  
FCL-700 Composite Sensor

#### Sampling Chamber

Dual Sensor Flow Reservoir

#### Warranty

13 Months

### Typical Applications

- Drinking Water
- Domestic Water
- Secondary Water Supply
- Sanitary Water
- Decorative Water / Swimming Water
- Food & Beverage Process Water



For more help and information regarding **APH20**, please visit [www.blue-white.com](http://www.blue-white.com) or scan this QR code.

## APH20 Analyzer Panel

### Model Number

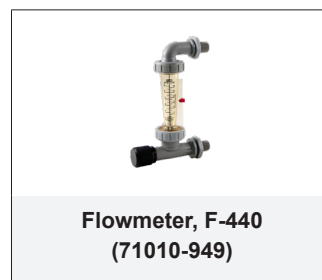
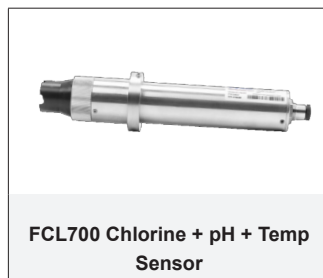
**APH20** Multi-Parameter Online Analyzer Panel (Chlorine, Turbidity, pH, Temperature)

Includes: TS10 7" Touchscreen Display, WR-20 Dual Sensor Flow Reservoir, UT700 Turbidity Sensor, FCL700 Chlorine/pH/Temperature Sensor, Assembled Panel with Flowmeter, 110VAC Power Cord.

- Power Requirement 96-260 VAC / 50-60 Hz: 10A Fuse: 200W

- CE, RoHS, EPA-180.1/334.0

### Replacement Parts and Accessories



\*500ml 10 NTU Calibration Standard (90008-973)

\*500ml 20 NTU Calibration Standard (90008-974)

Sensor Cleaning Solution (90008-988)

AP-MA1.5-CR 1.5 meter Short Cable - 8Pin x Flying leads (90008-954)

pH Calibration Combo Pack (4, 7, 10 pH) (90008-983)

# ANALYZER PANEL WARRANTY

## LIMITED WARRANTY

Your Blue-White product is a quality product and is warranted for a specific time from date of purchase (proof of purchase is required). The product will be repaired or replaced at our discretion. Failure must have occurred due to defect in material or workmanship and not as a result of operation of the product other than in normal operation as defined in the product manual. Warranty status is determined by the product's serial label and the sales invoice or receipt. The serial label must be on the product and legible. The warranty status of the product will be verified by Blue-White or a factory authorized service center.

AP Analyzer Panels are warranted for 13 months from date of purchase (proof of purchase is required). Sensors are warranted for 6 months. Units will be repaired or replaced at our discretion.

## WHAT IS NOT COVERED

- Wear items.
- Unit removal, or re-installation, and any related labor charge.
- Freight to the factory, or service center.
- Products that have been tampered with, or in pieces.
- Damage resulting from misuse, carelessness such as chemical spills on the enclosure, abuse, lack of maintenance, or alteration which is out of our control.
- Damage by faulty wiring, power surges or acts of nature.

BLUE-WHITE does not assume responsibility for any loss, damage, or expense directly or indirectly related to or arising out of the use of its products. Failure must have occurred due to defect in material or workmanship and not as a result of operation of the product other than in normal operation as defined in the manual.

Warranty status is determined by the serial label and the sales invoice or receipt. The serial label must be on the unit and legible. The warranty status will be verified by Blue-White or a factory authorized service center.

## PROCEDURE FOR IN WARRANTY REPAIR

Warranty service must be performed by the factory or an authorized service center. Contact the factory or local repair center to obtain a RMA (Return Material Authorization) number. It is recommended to include foot strainer and injection/check valve fitting since these devices may be clogged and part of the problem. Decontaminate, dry, and carefully pack the product to be repaired. Please enclose a brief description of the problem and proof of purchase. Prepay all shipping and insurance cost. COD shipments will not be accepted. Damage caused by improper packaging is the responsibility of the sender. When In-Warranty repair is completed, the factory pays for return shipping to the dealer or customer.

## PRODUCT USE WARNING

Blue-White products are manufactured to meet the highest quality standards in the industry. Each product instruction manual includes a description of the associated product warranty and provides the user with important safety information. Purchasers, installers, and operators of Blue-White products should take the time to inform themselves about the safe operation of these products. In addition, Customers are expected to do their own due diligence regarding which products and materials are best suited for their intended applications. BLUE-WHITE is pleased to assist in this effort but does not guarantee the suitability of any particular product for any specific application as Blue-White does not have the same degree of familiarity with the application that the customer/end user has. While BLUE-WHITE will honor all of its product warranties according to their terms and conditions, Blue-White shall only be obligated to repair or replace its defective parts or products in accordance with the associated product warranties.

**BLUE-WHITE SHALL NOT BE LIABLE EITHER IN TORT OR IN CONTRACT FOR ANY LOSS OR DAMAGE WHETHER DIRECT, INDIRECT, INCIDENTAL, OR CONSEQUENTIAL, ARISING OUT OF OR RELATED TO THE FAILURE OF ANY OF ITS PARTS OR PRODUCTS OR OF THEIR NONSUITABILITY FOR A GIVEN PURPOSE OR APPLICATION.**

## CHEMICAL RESISTANCE WARNING

BLUE-WHITE offers a wide variety of wetted parts. Purchasers, installers, and operators of Blue-White products must be well informed and aware of the precautions to be taken when injecting or measuring various chemicals, especially those considered to be irritants, contaminants or hazardous. Customers are expected to do their own due diligence regarding which products and materials are best suited for their applications, particularly as it may relate to the potential effects of certain chemicals on Blue-White products and the potential for adverse chemical interactions. Blue-White tests its products with water only. The chemical resistance information included in this instruction manual was supplied to BLUE-WHITE by reputable sources, but Blue-White is not able to vouch for the accuracy or completeness thereof. While BLUE-WHITE will honor all of its product warranties according to their terms and conditions, Blue-White shall only be obligated to repair or replace its defective parts or products in accordance with the associated product warranties.

**BLUE-WHITE SHALL NOT BE LIABLE EITHER IN TORT OR IN CONTRACT FOR ANY LOSS OR DAMAGE, WHETHER DIRECT, INDIRECT, INCIDENTAL, OR CONSEQUENTIAL, ARISING OUT OF OR RELATED TO THE USE OF CHEMICALS IN CONNECTION WITH ANY BLUE-WHITE PRODUCTS.**

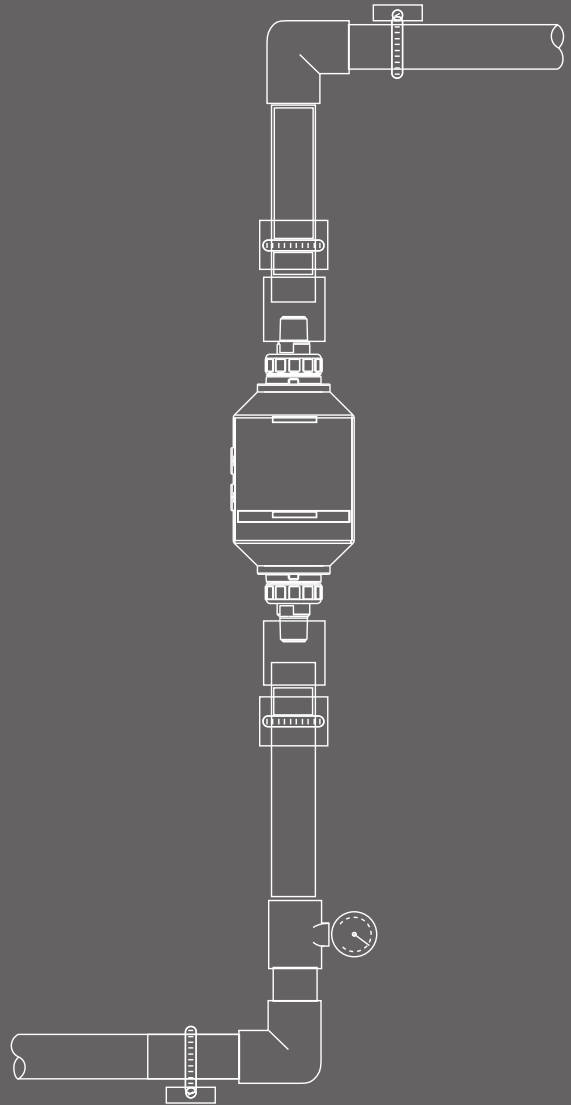
Users of electrical and electronic equipment (EEE) with the WEEE marking per Annex IV of the WEEE Directive must not dispose of end of life EEE as unsorted municipal waste, but use the collection framework available to them for the return, recycle, recovery of WEEE and minimize any potential effects of EEE on the environment and human health due to the presence of hazardous substances. The WEEE marking applies only to countries within the European Union (EU) and Norway. Appliances are labeled in accordance with European Directive 2002/96/EC. Contact your local waste recovery agency for a Designated Collection Facility in your area.

**Notes:**

**Notes:**



# MUNICIPAL Flow Meters



**Blue-White**<sup>®</sup>

# MS6

## SONIC-PRO® Flow Meter



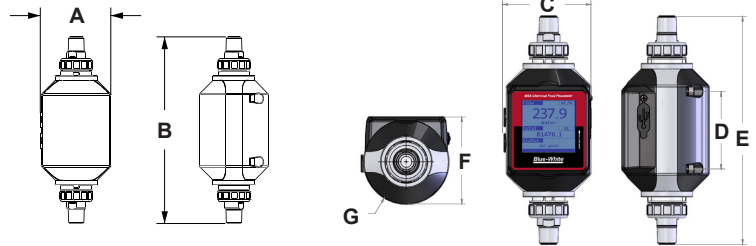
- > Inline pipe fittings for easy installation
- > Isolated 4-20 mA output - fully configurable
- > Process control via configurable solid state relay
- > User configurable flow rate and total set-point triggers
- > True unions for ease of maintenance

### Highlights

<p><b>Flow range</b> 10 - 10,000 mL/min .158 - 158.5 GPH</p>	<p><b>Pressures up to</b> 200 PSI (13.8 bar)</p>	<p><b>Body material</b> PVDF</p>	<p><b>Display</b> LCD</p>
<p><b>Pipe sizes</b> ½" Barb, ½" M/NPT, ½" PVC slip</p>	<p><b>Display options</b> Remote mount or meter mount</p>	<p><b>Weight</b> 1.9 lb. (0.86 kg)</p>	<p><b>Warranty</b> 5 Years</p>

### Dimensions

Dim	Inch	cm	Dim	Inch	cm
A	3.8"	9.7	E	10.02"	25.5
B	10.0"	25.4	F	3.8"	9.7
C	3.9"	9.9	G	3.7"	9.4
D	3.4"	8.6			



Meter Mount Display Meter Body

### What's in the box

- MS6 Chemical Feed meter
- Meter Body Connection Fittings
- 3/16" Hex Key
- USB Drive (Operating Manua and Blue-Central®)
- USB-A to USB-C connector
- Power Supply (user configurable)



# Model Number Matrix

MS6

## SONIC-PRO® Model Number

<b>MS6</b>	MS6 Chemical Feed Flow Meter				
<b>Flow Range</b>					
<b>1</b>	10-5000 mL/min (0.158-79.2 GPH)				
<b>2</b>	100-10000 mL/min (1.58 -158.5 GPH)				
<b>Display Options</b>					
<b>1</b>	Remote Mount Display				
<b>2</b>	Meter Mount Display				
<b>Elastometer Material (O-Ring)</b>					
<b>V</b>	TFE/P				
<b>E</b>	EP				
<b>MS6</b>	<b>1</b>	<b>1</b>	<b>V</b>	<b>X</b>	Sample Model Number

## Display Options



# MICRO-FLO

## Paddlewheel Flow Verification Sensor

- > High accuracy digital paddlewheel technology
- > 1/8", 1/4" or 1/2" NPT, 1/4"OD or 3/8"OD Tubing sizes
- > Tamper proof factory programming
- > PVC or PVDF adapters available



### Highlights

#### Flow range

.008 - 1.85 GPM  
.03 - 7.00 LPM

#### Pressures up to

150 PSI  
(10 bar)

#### Max. fluid temp.

200 °F (93 °C)  
at 0 PSI

#### Body material

PVDF

#### Connector Size

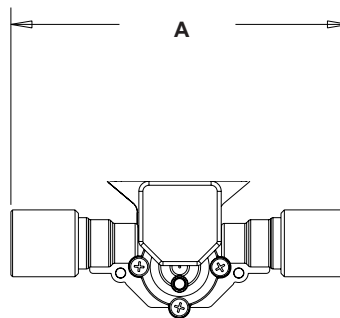
1/8", 1/4", 1/2" F/NPT

#### Warranty

1 Year

### Dimensions

Dim	Inch	cm
A	5.0"	12.7



### What's in the box

Flow Sensor x1  
Instruction manual



## Model Number Matrix

<b>FV</b>	<b>1</b>	<b>-</b>	<b>10</b>	<b>1</b>	<b>-</b>	<b>1</b>	<b>V</b>	<b>Sample Model Number</b>
-----------	----------	----------	-----------	----------	----------	----------	----------	----------------------------

<b>Meter Function</b>
<b>FV</b> = Flow sensor only (no display)

<b>Power Supply</b>
<b>1</b> = Transformer U.S. 115VAC/15VDC
<b>2</b> = Transformer E.U. 220VAC/15VDC
<b>None</b> = No selection (customer supplied)

<b>Flow Range Selection</b>
<b>10</b> = 30-300 ml/min*
<b>20</b> = 100-1000 ml/min*
<b>30</b> = 200-2000 ml/min
<b>40</b> = 300-3000 ml/min
<b>50</b> = 500-5000 ml/min
<b>60</b> = 700-7000 ml/min

\* Consult factory for assistance on 10 and 20 flow models (review pressure drop, fluid viscosity, and particulate size)

<b>O-ring Seal Selection</b>
<b>V</b> = Viton
<b>E</b> = EP

<b>Connector Selection</b>
<b>1</b> = .500" ID hose barb, PVC
<b>2</b> = .500" Male NPT, PVC
<b>3</b> = .500" Female NPT, PVC
<b>4</b> = .250" OD tubing connection, Polypropylene
<b>5</b> = .125" Female NPT, PVC
<b>6</b> = .375" OD tubing connection, PVDF
<b>7</b> = .250" Female NPT, PVC

<b>Lens Material Selection</b>
<b>1</b> = Opaque PVDF

# F-1000

## Paddlewheel Flow Meter

- > High accuracy digital paddlewheel technology
- > 3/8", 1/2", 3/4", 1", 1-1/2", and 2" male pipe threads
- > 1-1/2", 2", 2-1/2", 3", 4", 6", 8", 10" and 12" saddle mount sizes
- > Tamper proof factory programming
- > Easy to read 6 digit LCD display, up to 4 decimal places
- > Flow rate and flow totalization



### Highlights

#### Flow range

.4 - 8,000 GPM  
1 - 27,000 LPM

#### Pressures up to

300 PSI  
(20 bar)

#### Max. fluid temp.

200 °F (93 °C)  
at 0 PSI

#### Body material

PVC, Polypropylene or  
316 Stainless Steel

#### Pipe sizes

3/8", up to 12"

#### Warranty

1 Year

### Polypropylene Molded In-Line Pipe

Pipe Size	GPM	LPM	Flow Range
3/8"	.8 - 8	3 - 30	Range 1
3/8"	.4 - 4	1 - 10	Range 2
1/2"	2 - 20	7 - 70	Range 1
3/4"	3 - 30	11 - 110	Range 1
1"	5 - 50	20 - 200	Range 1
1 1/2"	6 - 60	25 - 250	Range 2
2"	10 - 100	40 - 400	Range 3
2"	20 - 200	70 - 700	Range 4

### Metric Saddle Mount Pipe

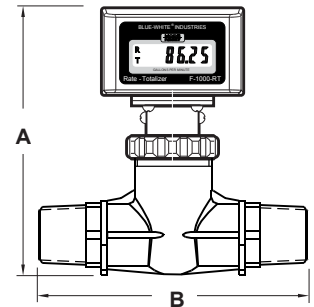
DIN 8062	LPM Range	Material
50mm	70 - 700	PVDF
63mm	110 - 1100	PVDF
75mm	150 - 1500	PVC
90mm	230 - 2300	PVDF
110mm	350 - 3500	PVC
160mm	720 - 7200	PVC
200mm	1150 - 11500	PVC
250mm	1700 - 17000	PVC
315mm	2700 - 27000	PVC

### Standard Saddle Mount Pipe

Pipe Size	GPM	LPM	Material
1 1/2"	15 - 150	60 - 600	PVDF
2"	30 - 300	100 - 1000	PVDF
2 1/2"	40 - 400	150 - 1500	PVC
3"	60 - 600	250 - 2500	PVDF
4"	100 - 1000	400 - 4000	PVC
6"	250 - 2500	900 - 9000	PVC
8"	400 - 4000	1600 - 16000	PVC
10"	600 - 6000	2400 - 24000	PVC
12"	800 - 8000	3200 - 32000	PVC

### PVC TEE Pipe

Pipe	GPM	LPM	Material
1"	6 - 60	25 - 250	PVC
1 1/2"	15 - 150	60 - 600	PVC
2"	30 - 300	100 - 1000	PVC
3"	60 - 600	230 - 2300	PVC



### Dimensions

Pipe Size	A	B
3/8"	5-3/8" (137mm)	4-3/4" (121mm)
1/2"	5-3/8" (137mm)	5-1/8" (130mm)
3/4"	5-5/8" (143mm)	5-1/4" (133mm)
1"	5-5/8" (143mm)	5-5/8" (143mm)
1-1/2"	6-1/8" (156mm)	6-1/2" (165mm)
2"	6-3/8" (162mm)	6-3/4" (171mm)

### What's in the box

- Flow meter x1
- Clamp (saddle only) x 2
- Pipe Plug (saddle only) x 1
- Batteries x2 (installed)
- Instruction manual



# F-1000 Model Number Matrix

<b>RB</b>	-	<b>375</b>	<b>MI</b>	-	<b>GPM</b>	<b>1</b>	-			<b>Sample Model Number</b>
-----------	---	------------	-----------	---	------------	----------	---	--	--	----------------------------

<b>Variations</b>
<b>RB</b> = Rate Only
<b>TB</b> = Total Only
<b>RT</b> = Rate and Total

<b>Pipe Fitting</b>
Blank = Standard
<b>P</b> = No pipe fitting

Pipe Sizes M/NPT	
Imperial Pipe Sizes	Metric Pipe Sizes
<b>375</b> = 3/8" IPS	<b>050</b> = 50 mm
<b>500</b> = 1/2" IPS	<b>063</b> = 63 mm
<b>750</b> = 3/4" IPS	<b>075</b> = 75 mm
<b>100</b> = 1" IPS	<b>090</b> = 90 mm
<b>150</b> = 1-1/2" IPS	<b>110</b> = 110 mm
<b>200</b> = 2" IPS	<b>160</b> = 160 mm
<b>250</b> = 2-1/2" IPS	<b>200</b> = 200 mm
<b>300</b> = 3" IPS	<b>250</b> = 250 mm
<b>400</b> = 4" IPS	<b>315</b> = 315 mm
<b>600</b> = 6" IPS	
<b>800</b> = 8" IPS	
<b>1000</b> = 10" IPS	
<b>1200</b> = 12" IPS	

<b>O-rings / Elastomers</b>
Blank = Standard
<b>E</b> = EPDM O-rings

<b>Calibration Range</b> <a href="#">Click here for details</a>	
<b>1</b> = Range 1	<b>3</b> = Range 3
<b>2</b> = Range 2	<b>4</b> = Range 4
Molded In-line fittings - Use last number of fitting #.	
All other fittings - Use Range 1	

<b>Calibration Units</b>
<b>GPM</b> = U.S. Gallons per minute
<b>GPH</b> = U.S. Gallons per hour
<b>GPD</b> = U.S. Gallons per day
<b>OZM</b> = U.S. Ounces per minute
<b>CFM</b> = Cubic Feet per minute
<b>AFD</b> = Acre Feet per day
<b>LPM</b> = Liters per minute
<b>LPH</b> = Liters per hour
<b>LPD</b> = Liters per day
<b>M3H</b> = Cubic Meters per hour
<b>IGM</b> = Imperial Gallons per minute
<b>IGH</b> = Imperial Gallons per hour

Pipe Fitting Type	
<b>S4</b> = SADDLE, SCH40 (I.P.S.) PVC or IRON pipe	<b>MI</b> = INLINE INJECTION MOLDED PP AMERICAN M/NPT
1-1/2", 2", 3" PVDF	3/8", 1/2", 3/4", 1" M/NPT, polypropylene
2-1/2", 4", 6", 8" PVC	1-1/2" M/NPT, polypropylene
10", 12" PVC	2" M/NPT, polypropylene
<b>S8</b> = SADDLE, SCH80 (I.P.S.) PVC pipe	<b>MB</b> = INLINE INJECTION MOLDED PP BRITISH M/BSPT
1-1/2", 2", 3" PVDF	3/8", 1/2", 3/4", 1" M/BSPT, polypropylene
2-1/2", 4", 6", 8" PVC	1-1/2" M/BSPT, polypropylene
10", 12" PVC	2" M/BSPT, polypropylene
<b>P0</b> = SADDLE, PN10 METRIC (DIN 8062) pipe	<b>AT</b> = INLINE INJECTION MOLDED TEE PVC SLIP/SOCKET
50 mm, 63 mm, 90 mm PVDF	1", 1-1/2", 2" PVC
75, 110, 160, 200 mm PVC	3" PVC
250, 315 mm PVC	
<b>P6</b> = SADDLE, PN16 METRIC (DIN 8062) pipe	
50 mm, 63 mm, 90 mm PVDF	
75, 110, 160, 200 mm PVC	
250, 315 mm PVC	

# F-2000

## Paddlewheel Flow Meter

- > High accuracy digital paddlewheel technology
- > 3/8", 1/2", 3/4", 1", 1-1/2", and 2" male pipe threads
- > 1-1/2", 2", 2-1/2", 3", 4", 6", 8", 10" and 12" saddle mount sizes
- > Optional 4-20mA or 0-10VDC output
- > Easy to read 8 digit LCD display, up to 4 decimal places
- > Flow rate and flow totalization
- > Front panel security lock-out



### Highlights

<p><b>Flow range</b></p> <p>.4 - 8,000 GPM 1 - 27,000 LPM</p>	<p><b>Pressures up to</b></p> <p>300 PSI (20 bar)</p>	<p><b>Max. fluid temp.</b></p> <p>200 °F (93 °C) at 0 PSI</p>
<p><b>Body material</b></p> <p>PVC, Polypropylene or 316 Stainless Steel</p>	<p><b>Pipe sizes</b></p> <p>3/8", up to 12"</p>	<p><b>Warranty</b></p> <p>1 Year</p>

### Polypropylene Molded In-Line Pipe

Pipe Size	GPM	LPM	Flow Range
3/8"	.8 - 8	3 - 30	Range 1
3/8"	.4 - 4	1 - 10	Range 2
1/2"	2 - 20	7 - 70	Range 1
3/4"	3 - 30	11 - 110	Range 1
1"	5 - 50	20 - 200	Range 1
1 1/2"	6 - 60	25 - 250	Range 2
2"	10 - 100	40 - 400	Range 3
2"	20 - 200	70 - 700	Range 4

### Metric Saddle Mount Pipe

DIN 8062	LPM Range	Material
50mm	70 - 700	PVDF
63mm	110 - 1100	PVDF
75mm	150 - 1500	PVC
90mm	230 - 2300	PVDF
110mm	350 - 3500	PVC
160mm	720 - 7200	PVC
200mm	1150 - 11500	PVC
250mm	1700 - 17000	PVC
315mm	2700 - 27000	PVC

### Dimensions

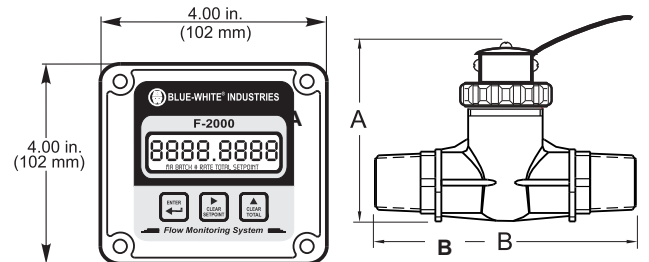
Pipe Size	A	B
3/8"	3-3/4" (95mm)	4-3/4" (121mm)
1/2"	3-3/4" (95mm)	5-1/8" (130mm)
3/4"	4" (102mm)	5-1/4" (133mm)
1"	4" (102mm)	5-5/8" (143mm)
1-1/2"	4-1/2" (114mm)	6-1/2" (165mm)
2"	4-3/4" (121mm)	6-3/4" (171mm)

### Standard Saddle Mount Pipe

Pipe Size	GPM	LPM	Material
1 1/2"	15 - 150	60 - 600	PVDF
2"	30 - 300	100 - 1000	PVDF
2 1/2"	40 - 400	150 - 1500	PVC
3"	60 - 600	250 - 2500	PVDF
4"	100 - 1000	400 - 4000	PVC
6"	250 - 2500	900 - 9000	PVC
8"	400 - 4000	1600 - 16000	PVC
10"	600 - 6000	2400 - 24000	PVC
12"	800 - 8000	3200 - 32000	PVC

### PVC TEE Pipe

Pipe	GPM	LPM	Material
1"	6 - 60	25 - 250	PVC
1 1/2"	15 - 150	60 - 600	PVC
2"	30 - 300	100 - 1000	PVC
3"	60 - 600	230 - 2300	PVC



### What's in the box

- Flow meter x1
- Clamp (saddle only) x 2
- Pipe Plug (saddle only) x 1
- Batteries x2 (installed)
- Instruction manual







# F-300

## Variable Area Flow Meter

- > Easy to read dual scale (SCH 40 / SCH 80)
- > Acceptable for outdoor installations
- > Pitot Tube (impact tube) design makes it easy to install on existing pipe
- > One-piece, machined acrylic meter body



### Highlights

#### Flow range

5.0 - 2,200 GPM (SCH 40)  
4.0 - 1,950 LPM (SCH 40)

#### Pressures up to

75 PSI  
(5.17 bar)

#### Max. fluid temp.

190 °F  
88 °C

#### Body material

Acrylic

#### Pipe sizes

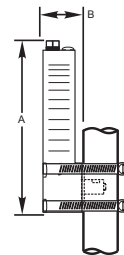
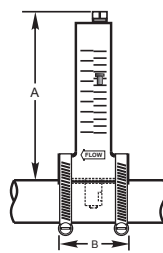
1" to 8"

#### Warranty

1 Year

### Dimensions

Pipe Size	A	B	Pipe Size	A	B
1"	6"	2-7/16"	3"	6"	2-7/16"
1-1/4"	6"	2-7/16"	4"	6"	2-7/16"
1-1/2"	6"	2-7/16"	5"	6"	2-7/16"
2"	6"	2-7/16"	6"	7-1/2"	2-7/16"
2-1/2"	6"	2-7/16"	8"	7-1/2"	2-7/16"



#### U/D-300 Series

Pipe Size	A	B
1-1/2"	6"	1-9/16"
2"	6"	1-9/16"

### What's in the box

- Flow meter x 1
- Rubber Gasket x 1
- Clamp x 2
- Instruction manual



# Model Number Matrix

## F-300 Model Number

<b>F</b>	Standard Flow Meter (Horizontal Flow) (NSF 50 Listed)
<b>U</b>	Flow Meter (Upwards Flow 1.5" and 2.0" only)
<b>D</b>	Flow Meter (Downwards Flow 1.5" and 2.0" only)

### Series

<b>30</b>	F-300 Acrylic Body
-----------	--------------------

### GPM Scale SCH 40 / SCH 80

<b>100</b>	1.0" Pipe, 5 - 35 GPM sch 40 (4 - 26 GPM sch 80)
<b>125</b>	1.25" Pipe, 9 - 50 GPM sch 40 (8 - 40 GPM sch 80)
<b>150</b>	1.50" Pipe, 10 - 70 GPM sch 40 (10 - 60 GPM sch 80)
<b>150</b>	UP/DOWN 1.5" Pipe, 10 - 60 GPM sch 40 (10 - 50 GPM sch 80)
<b>200</b>	2.0" Pipe, 20 - 120 GPM sch 40 (18 - 100 GPM sch 80)
<b>200</b>	UP/DOWN 2.0" Pipe, 20 - 110 GPM sch 40 (20 - 100 GPM sch 80)
<b>250</b>	2.5" Pipe, 29 - 150 GPM sch 40 (25 - 130 GPM sch 80)
<b>300</b>	3.0" Pipe, 45 - 240 GPM sch 40 (40 - 205 GPM sch 80)
<b>400</b>	4.0" Pipe, 75 - 420 GPM sch 40 (70 - 375 GPM sch 80)
<b>600</b>	6.0" Pipe, 170 - 1100 GPM sch 40 (160 - 1000 GPM sch 80)
<b>800</b>	8.0" Pipe, 300 - 2200 GPM sch 40 (275 - 1950 GPM sch 80)

<b>F</b>	<b>-</b>	<b>30</b>	<b>100</b>	<b>P</b>	<b>Sample Model Number</b>
----------	----------	-----------	------------	----------	----------------------------

## Accessories



1.0"P - 1.25"P ONLY



1.5"P - 4.0"P ONLY

# F-300M

## Variable Area Flow Meter

- > Easy to read dual scale (PN10 / PN16)
- > Acceptable for outdoor installations
- > Pitot Tube (impact tube) design makes it easy to install on existing pipe
- > One-piece, machined acrylic meter body



### Highlights

#### Flow range

30 - 1,800 LPM (PN10)  
30 - 1,600 LPM (PN16)

#### Pressures up to

75 PSI  
(5.2 bar)

#### Max. fluid temp.

190 °F  
88 °C

#### Body material

Acrylic

#### Pipe sizes

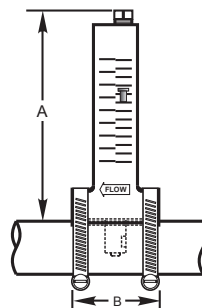
32mm to 110mm

#### Warranty

1 Year

### Dimensions

Pipe Size	A (mm)	B (mm)
32mm	110	62
50mm	110	62
63mm	110	62
75mm	110	62
90mm	110	62
110mm	110	62



### What's in the box

Flow meter x 1  
Rubber Gasket x 1  
Clamp x 2  
Instruction manual



# Model Number Matrix

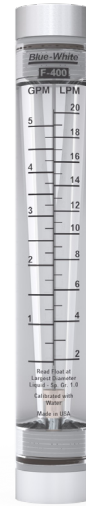
## F-300M Model Number

<b>F</b>	Standard Flow Meter (Horizontal Flow)				
<b>Series</b>					
	<b>30</b>	F-300M Acrylic Body			
<b>LPM Scale PN10 / PN16</b>					
	<b>032</b>	32mm Pipe, 30 - 150 LPM PN10 (30 - 130 LPM PN16)			
	<b>050</b>	50mm Pipe, 50 - 350 LPM PN10 (50 - 300 LPM PN16)			
	<b>063</b>	63mm Pipe, 100 - 475 LPM PN10 (75 - 400 LPM PN16)			
	<b>075</b>	75mm Pipe, 150 - 700 LPM PN10 (150 - 600 LPM PN16)			
	<b>090</b>	90mm Pipe, 200 - 850 LPM PN10 (200 - 800 LPM PN16)			
	<b>110</b>	110mm Pipe, 600 - 1800 LPM PN10 (550 - 1600 LPM PN16)			
<b>Pipe Units</b>					
	<b>M</b>	METRIC (DIN 8062)			
<b>F</b>	<b>-</b>	<b>30</b>	<b>032</b>	<b>M</b>	<b>Sample Model Number</b>

# F-400

## Variable Area Flow Meter

- > Durable, highly polished, one piece meter body
- > Annealed for added strength and chemical resistance
- > Acceptable in direct sunlight
- > Full scale accuracy +/- 5%
- > 316ss float & guide-wire



### Highlights

**Flow range**

.025 - 5.0 GPM  
.1 - 20 LPM

**Pressures up to**

150 PSI  
(10.3 bar)

**Max. fluid temp.**

150 °F  
65 °C

**Body**

Acrylic

**Adapters**

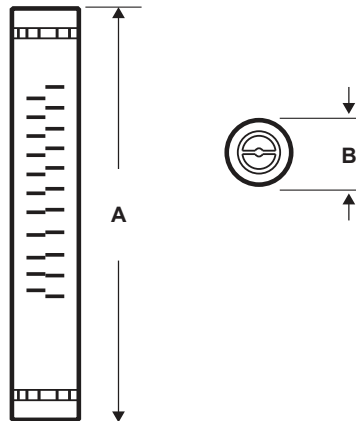
1/4", 3/8" & 1/2" F/NPT

**Warranty**

1 Year

### Dimensions

Dim	Inch	cm
A	8-3/16"	20.8
B	1-1/4"	3.2



### What's in the box

Flow meter x1  
Instruction manual



# Model Number Matrix

## F-400 Model Number

<b>F</b>	Flow Meter						
<b>Series</b>							
	<b>40</b>	F-400 Acrylic body					
<b>Scale</b>							
	<b>050</b>	0.05 - .5 gpm (0.2 - 2.0 lpm) 316ss Float					
	<b>250</b>	0.025 - .25 gpm (0.1 - 1.0 lpm) PVDF Float					
	<b>375</b>	0.1 - 1.0 gpm (0.4 - 4.0 lpm) PTFE Float					
	<b>376</b>	0.2 - 2.0 gpm (1.0 - 7.5 lpm) 316ss Float					
	<b>377</b>	0.3 - 3.0 gpm (1.5 - 11 lpm) 316ss Float					
	<b>500</b>	0.5 - 5.0 gpm (2.0 - 20 lpm) 316ss Float					
<b>Guide-Wire Material</b>							
	<b>LN</b>	316 Stainless steel rod					
<b>Adapter</b>							
	<b>4</b>	.250" Female NPT, Polypropylene					
	<b>6</b>	.375" Female NPT, Polypropylene					
	<b>8</b>	.500" Female NPT, Polypropylene					
<b>O-Rings</b>							
	<b>(Blank)</b>	Viton					
	<b>-22P</b>	EP					
<b>F</b>	<b>-</b>	<b>40</b>	<b>050</b>	<b>LN</b>	<b>-</b>	<b>4</b>	<b>Sample Model Number</b>

\*In-house NIST Calibration, OEM packaging, silicone oil free and bulk packaging options are also available.

# F-410

## Variable Area Flow Meter

- > Durable, highly polished, one piece meter body
- > Annealed for added strength and chemical resistance
- > Acceptable in direct sunlight
- > Full scale accuracy +/- 5%
- > 316ss float & guide-wire



### Highlights

**Flow range**

1.0 - 20 GPM  
4.0 - 80 LPM

**Pressures up to**

150 PSI  
(10.3 bar)

**Max. fluid temp.**

150 °F  
65 °C

**Body**

Acrylic

**Adapters**

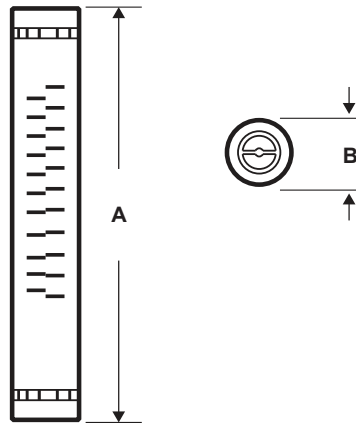
3/4" & 1.0" F/NPT

**Warranty**

1 Year

### Dimensions

Dim	Inch	cm
A	11"	27.9
B	1-3/4"	4.4



### What's in the box

Flow meter x1  
Instruction manual





## Model Number Matrix

### F-410 Model Number

<b>F</b>	Flow Meter					
<b>Scale</b>						
	<b>40750</b>	1-10 gpm (4 - 38 lpm) 316SS Float				
	<b>41000</b>	2-20 gpm (8 - 80 lpm) 316SS Float				
<b>Guide-Wire Material</b>						
	<b>LN</b>	316 Stainless steel rod				
<b>Adapter</b>						
	<b>12</b>	.75" Female NPT, Polypropylene				
	<b>16</b>	1.0" Female NPT, Polypropylene				
<b>O-Rings</b>						
	<b>(Blank)</b>	Viton				
	<b>-22P</b>	EP				
<b>F</b>	<b>-</b>	<b>40750</b>	<b>LN</b>	<b>-</b>	<b>12</b>	<b>Sample Model Number</b>

\*In-house NIST Calibration, silicone oil free and bulk packaging options are also available.

# F-420

## Variable Area Flow Meter

- > Durable, highly polished, one piece meter body
- > Annealed for added strength and chemical resistance
- > Acceptable in direct sunlight
- > Full scale accuracy +/- 5%
- > 316ss float & guide-wire



### Highlights

**Flow range**

5.0 - 50 GPM  
20 - 200 LPM

**Pressures up to**

130 PSI  
(8.9 bar)

**Max. fluid temp.**

130 °F  
54 °C

**Body**

Acrylic

**Adapters**

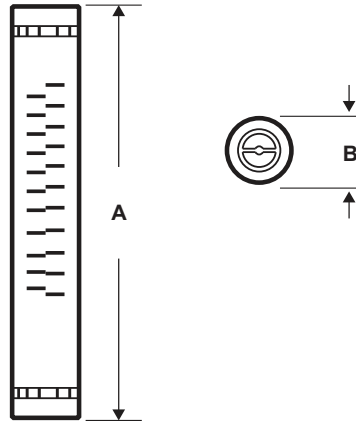
1.0" & 1.5"  
(F/NPT & M/NPT)

**Warranty**

1 Year

### Dimensions

Dim	Inch	cm
A	11"	27.9
B	1-3/4"	4.4



### What's in the box

Flow meter x1  
Instruction manual



# Model Number Matrix

## F-420 Model Number

<b>F</b>	Flow Meter					
<b>Series</b>						
	<b>420</b>	F-420 Acrylic Body				
<b>Scale</b>						
	<b>25</b>	5-25 gpm (20 - 100 lpm) 316ss float				
	<b>40</b>	8-40 gpm (30 - 150 lpm) 316ss float				
	<b>50</b>	10-50 gpm (40 - 200 lpm) 316ss float				
<b>Guide-Wire Material</b>						
	<b>LN</b>	316 Stainless steel rod				
<b>Adapter</b>						
	<b>(Blank)</b>	1.5" Male NPT, PVC				
	<b>-16</b>	1.0" Female NPT, PVC				
<b>O-Rings</b>						
	<b>(Blank)</b>	Viton				
	<b>-22P</b>	EP				
<b>F</b>	<b>-</b>	<b>420</b>	<b>25</b>	<b>LN</b>		<b>Sample Model Number</b>

\*In-house NIST Calibration, OEM packaging and silicone oil free options are also available.

# F-430

## Variable Area Flow Meter

- > Durable, highly polished, one piece meter body
- > Annealed for added strength and chemical resistance
- > Acceptable in direct sunlight
- > Full scale accuracy +/- 5%
- > 316ss float & guide-wire



### Highlights

#### Flow range

4.0 - 100 GPM  
15 - 375 LPM

#### Pressures up to

130 PSI  
(8.9 bar)

#### Max. fluid temp.

130 °F  
54 °C

#### Body

Acrylic

#### Adapters

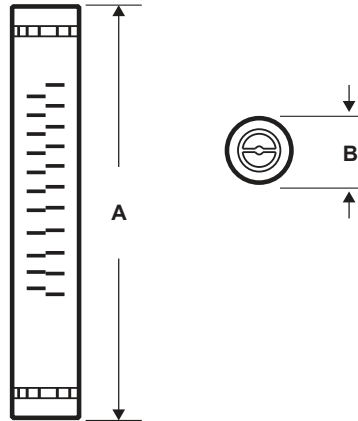
1.5" & 2.0" F/NPT

#### Warranty

1 Year

### Dimensions

Dim	Inch	cm
A	14"	35.6
B	3"	7.6



### What's in the box

Flow meter x1  
Instruction manual



# Model Number Matrix

## F-430 Model Number

<b>F</b>	Flow Meter							
<b>Series</b>								
	<b>43</b>	F-430 Acrylic Body						
<b>Scale</b>								
	<b>040</b>	4 - 40 gpm (15 - 150 lpm) 316ss Float						
	<b>060</b>	6 - 60 gpm (20 - 230 lpm) 316ss Float						
	<b>080</b>	8 - 80 gpm (30 - 300 lpm) 316ss Float						
	<b>100</b>	20 - 100 gpm (75 - 375 lpm) 316ss Float						
<b>Guide-Wire Material</b>								
	<b>LNS</b>	316 Stainless steel rod with PVC adapters						
<b>Adapter</b>								
	<b>(Blank)</b>	2.0" Female/NPT						
	<b>-24</b>	1.5" Female/NPT						
<b>O-Rings</b>								
	<b>(Blank)</b>	Viton						
	<b>-E</b>	EP						
<b>F</b>	<b>-</b>	<b>43</b>	<b>040</b>	<b>LNS</b>	<b>-24</b>	<b>(Blank)</b>	<b>-E</b>	Sample Model Number

\*In-house NIST Calibration, OEM packaging and silicone oil free options are also available.

# F-550

## Variable Area Flow Meter



- > Durable, highly polished, one piece meter body
- > Annealed for added strength and chemical resistance
- > Acceptable in direct sunlight
- > Full scale accuracy +/- 5%
- > 316ss float & guide-wire

### Highlights

#### Flow range

.025 - 20 GPM  
.1 - 75 LPM

#### Pressures up to

250 PSI  
(17.2 bar)

#### Max. fluid temp.

200 °F  
(93 °C)

#### Body

Acrylic

#### Adapters

1/4" - 1.0" M/NPT

#### Warranty

1 Year

### Dimensions

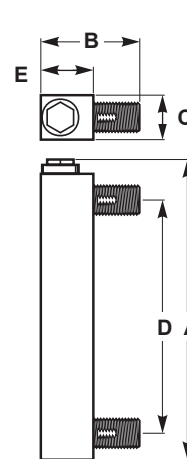
#### Panel Mount

Pipe Size	A	B	C	D	E	Mount Hole
F-55250L (1/4")	7-1/4"	2-1/2"	1-11/32"	5-5/8"	1-1/4"	9/16"
F-55375L (3/8")	8-3/8"	2-3/4"	1-11/32"	6-1/2"	1-1/2"	11/16"
F-55376L (3/8")	8-3/8"	2-3/4"	1-11/32"	6-1/2"	1-1/2"	11/16"
F-55500L (1/2")	8-3/8"	2-3/4"	1-11/32"	6-1/2"	1-1/2"	7/8"
F-55750L (3/4")	9"	3-3/4"	1-1/2"	6-1/2"	1-3/4"	1-1/16"
F-55005L (1")	10-5/8"	4"	1-3/4"	8"	2"	1-21/64"
F-55010L (1")	10-5/8"	4"	1-3/4"	8"	2"	1-21/64"
F-55015L (1")	10-5/8"	4"	1-3/4"	8"	2"	1-21/64"
F-55200L (1")	10-5/8"	4"	1-3/4"	8"	2"	1-21/64"

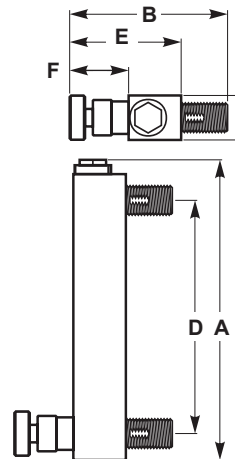
#### Adjustable Panel Mount

Pipe Size	A	B	C	D	E	F	Mount Hole
F-55250LA (1/4")	7-1/4"	3-7/16"	1"	5-5/8"	2-7/16"	1-11/32"	9/16"
F-55375LA (3/8")	8-3/8"	4-1/2"	1-11/32"	6-1/2"	3-1/4"	1-3/4"	11/16"
F-55376LA (3/8")	8-3/8"	4-1/2"	1-11/32"	6-1/2"	3-1/4"	1-3/4"	11/16"
F-55500LA (1/2")	8-3/8"	4-1/2"	1-11/32"	6-1/2"	3-1/4"	1-3/4"	7/8"
F-55750LA (3/4")	9"	5-1/2"	1-1/2"	6-1/2"	3-1/4"	15/16"	1-1/16"
F-55010LA (1")	10-5/8"	5-1/4"	1-3/4"	8"	3-1/2"	17/16"	1-21/64"
F-55015LA (1")	10-5/8"	5-1/4"	1-3/4"	8"	3-1/2"	17/16"	1-21/64"
F-55200LA (1")	10-5/8"	5-1/4"	1-3/4"	8"	3-1/2"	17/16"	1-21/64"

#### Non-Adjustable Panel Mount



#### Adjustable Panel Mount



# Model Number Matrix

## F-550 Model Number

<b>F</b>	Flow Meter						
<b>Series</b>							
<b>55</b>	F-550 Acrylic Body						
<b>Scale</b>							
<b>250</b>	0.025 - .250 gpm (0.1 - 1.0 lpm) 316 SS Float, 0.25" Male NPT adapter, PP						
<b>375</b>	0.1 - 1.0 gpm (0.4 - 4.0 lpm) 316 SS Float, 0.375" Male NPT adapter, PP						
<b>376</b>	0.2 - 2.0 gpm (0.75 - 7.5 lpm) 316 SS Float, 0.375" Male NPT adapter, PP						
<b>500</b>	0.5 - 5.0 gpm (2.0 - 20 lpm) 316 SS Float, 0.50" Male NPT adapter, PP						
<b>750</b>	1.0 - 10 gpm (4.0 - 40 lpm) 316 SS Float, 0.75" Male NPT adapter, PP						
<b>005</b>	1.0 - 5.0 gpm (3.0 - 18 lpm) PTFE Float, 1.0" Male NPT adapter, PP						
<b>010</b>	1.0 - 10 gpm (4.0 - 40 lpm) 316 SS Float, 1.0" Male NPT adapter, PP						
<b>015</b>	1.0 - 15 gpm (5.0 - 60 lpm) 316 SS Float, 1.0" Male NPT adapter, PP						
<b>200</b>	2 - 20 gpm (7.5 - 75 lpm) 316 SS Float, 1.0" Male NPT adapter, PP						
<b>Guide-Wire Material</b>							
<b>L</b>	316 Stainless steel rod						
<b>Installation</b>							
<b>(Blank)</b>	Panel Mount Model						
<b>A</b>	Adjustable Panel Mount Model (scale 250 - 500 only)						
<b>A</b>	Adjustable Panel Mount Model (scale 750 - 200 only)						
<b>Adapter</b>							
<b>(Blank)</b>	Standard						
<b>-8</b>	0.50" Male NPT adapter (for 375, 376 and 750 models only)						
<b>O-Rings</b>							
<b>(Blank)</b>	Viton						
<b>-22N</b>	EP						
<b>F</b>	<b>-</b>	<b>55</b>	<b>250</b>	<b>L</b>			<b>Sample Model Number</b>

# F-440

## Variable Area Flow Meter



- > Polysulfone body resists high temperatures and pressures
- > In-line or panel mount configurations available
- > Indoor use only
- > Full scale accuracy +/- 4%
- > 316ss float & guide-wire

### Highlights

#### Flow range

.025 – 10 GPM  
0.1 – 37.5 LPM

#### Pressures up to

175 PSI  
(12 bar)

#### Max. fluid temp.

212 °F  
100 °C

#### Body

Polysulfone

#### Adapters

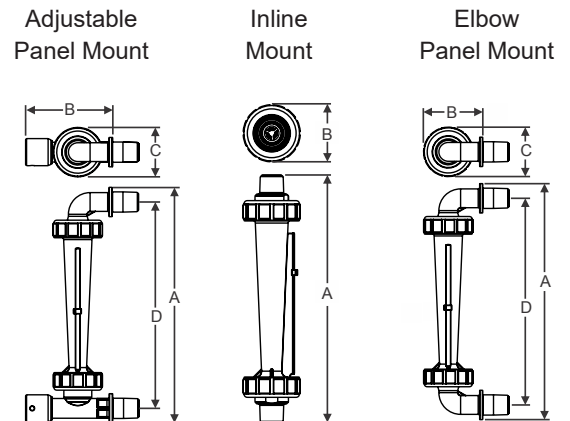
1/4" - 3/4" M/NPT  
(Inline & panel mount)

#### Warranty

1 Year

	Pipe Size	A	B	C	D
Inline	F-44250	6-3/16" 157mm	1-11/16" (43mm)	N/A	N/A
	F-44375				
	F-44376				
	F-44500				
F-44750	7-1/2" (191mm)	2" (51mm)	N/A	N/A	
Elbow	F-44250E	7" (178mm)	3" (76mm)	1-11/16" (43mm)	5-15/16" (151mm)
	F-44375E				
	F-44376E				
	F-44500E				
F-44750E	8-1/8" (206mm)	3" (76mm)	2" (51mm)	6-13/16" (173mm)	
Adjustable	F-44250EA	7" (178mm)	4-1/2" (114mm)	1-11/16" (43mm)	6" (152mm)
	F-44375EA				
	F-44376EA				
	F-44500EA				
F-44750EA	8" (203mm)	4-1/2" (114mm)	2" (51mm)	6-13/16" (173mm)	

### Dimensions





## MODEL NUMBER MATRIX

### F-440 Model Number

<b>F</b>	Flow Meter						
<b>Series</b>							
	<b>44</b>	F-440 Polysulfone Body					
<b>Scale</b>							
	<b>250</b>	0.025 - .250 gpm (0.1 - 1.0 lpm) PVDF Float					
	<b>375</b>	0.1 - 1.0 gpm (0.4 - 4.0 lpm) 316SS Float					
	<b>376</b>	0.2 - 2.0 gpm (0.8 - 8.0 lpm) 316SS Float					
	<b>500</b>	0.5 - 5.0 gpm (1.8 - 18.0 lpm) 316SS Float					
	<b>750</b>	1.0 - 10 gpm (5.0 - 37.5 lpm) 316SS Float					
<b>Guide-Wire Material</b>							
	<b>L</b>	316 Stainless steel rod					
<b>Installation</b>							
	<b>(Blank)</b>	In-Line Model					
	<b>E</b>	Panel Mount Model					
	<b>A</b>	Adjustable Panel					
<b>Adapter</b>				<b>Adapter (For 750)</b>			
	<b>6</b>	.375" Male npt Polysulfone Adapter and Union			<b>8</b>	.50" Male npt Polysulfone Adapter and Union	
	<b>8</b>	.50" Male npt Polysulfone Adapter and Union			<b>12</b>	.75" Male npt Polysulfone Adapter and Union	
<b>O-Rings</b>							
	<b>(Blank)</b>	Viton					
	<b>-22Q</b>	EP					
<b>F</b>	<b>-</b>	<b>44</b>	<b>250</b>	<b>L</b>	<b>-</b>	<b>6</b>	<b>Sample Model Number</b>

\*In-house NIST Calibration, OEM packaging and silicone oil free options are also available.

# F-450

## Variable Area Flow Meter



- > Polysulfone body resists high temperatures and pressures
- > In-line or panel mount configurations available
- > Indoor use only
- > Full scale accuracy +/- 4%
- > 316ss float & guide-wire

### Highlights

#### Flow range

0.1 - 10 GPM  
0.4 - 40 LPM

#### Pressures up to

150 PSI  
(10.3 bar)

#### Max. fluid temp.

150 °F  
65 °C

#### Body

Polysulfone

#### Adapters

3/8" - 3/4" M/NPT  
(Inline & panel mount)

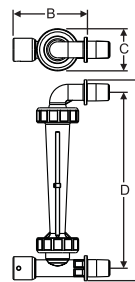
#### Warranty

1 Year

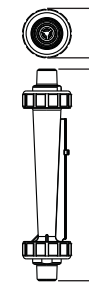
### Dimensions

	Pipe Size	A	B	C	D
Inline	F-45375L	8-7/8" (225.5mm)	1-3/4" (44.4mm)	N/A	N/A
	F-45376L				
	F-45500L				
	F-45750L	10" (254mm)	2" (51mm)	N/A	N/A
Elbow	F-45375E	9-7/8" (250.8mm)	3-1/2" (88mm)	2" (51mm)	9-1/8" (233mm)
	F-45376E				
	F-45500E				
	F-45750E	10" (254mm)	3-1/2" (88mm)	2" (51mm)	9-1/8" (233mm)
Adjustable	F-45375A	9-7/8" (250.8mm)	5" (127mm)	2" (51mm)	8-9/16" (217.5mm)
	F-45376A				
	F-45500A				
	F-45750A	10" (254mm)	5" (127mm)	2" (51mm)	9-1/8" (231.8mm)

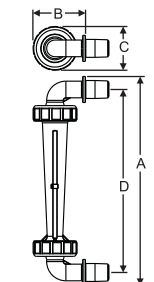
Adjustable  
Panel Mount



Inline  
Mount



Elbow  
Panel Mount



### What's in the box

Flow meter x1  
Instruction manual



# Model Number Matrix

## F-450 Model Number

<b>F</b>	Flow Meter						
<b>Series</b>							
	<b>45</b>	F-450 Polysulfone body					
<b>Scale</b>							
	<b>375</b>	0.1 - 1.0 gpm (0.4 - 4.0 lpm) Teflon float					
	<b>376</b>	0.2 - 2.0 gpm (1.0 - 7.5 lpm) 316ss Float					
	<b>500</b>	0.5 - 5.0 gpm (2.0 - 20 lpm) 316ss Float					
	<b>750</b>	1.0 - 10 gpm (4.0 - 40 lpm) 316ss Float					
<b>Guide-wire material</b>							
	<b>L</b>	316 Stainless steel rod					
<b>Installation</b>							
	<b>(Blank)</b>	In-Line model					
	<b>E</b>	Panel mount model (6, 8 and 12 adapter options only)					
	<b>A</b>	Adjustable panel mount model (6, 8 and 12 adapter options only)					
<b>Adapter</b>							
	<b>6</b>	0.375" Female NPT polypropylene adapter & polysulfone union (0.375" Male NPT adapters for panel mount models)					
	<b>8</b>	0.50" Male NPT polysulfone adapter & union (in-line & panel mount models)					
	<b>12</b>	0.75" Male NPT polysulfone adapter & union (in-line & panel mount models)					
<b>O-Rings</b>							
	<b>(Blank)</b>	Viton					
	<b>-22Q</b>	EP					
<b>F</b>	<b>-</b>	<b>45</b>	<b>375</b>	<b>L</b>	<b>-</b>	<b>6</b>	<b>Sample Model Number</b>

\*In-house NIST Calibration, OEM packaging and silicone oil free options are also available.

# F-451

## Variable Area Flow Meter



- > Polysulfone body resists high temperatures and pressures
- > In-line or panel mount configurations available
- > Indoor use only
- > Full Scale Accuracy +/- 3%
- > 316ss float & guide-wire

### Highlights

#### Flow range

0.5 - 40 GPM  
2.0 - 155 LPM

#### Pressures up to

150 PSI  
(10.3 bar)

#### Max. fluid temp.

212 °F  
100 °C

#### Body

Polysulfone

#### Adapters

1.0" & 1.5" F/NPT  
(Inline & panel mount)

#### Warranty

1 Year

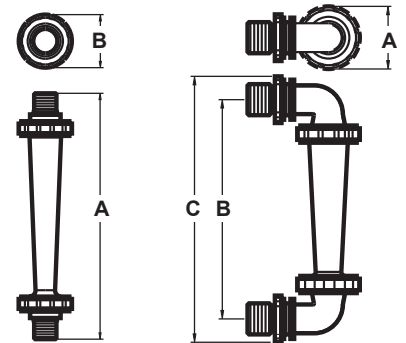
### Dimensions

Vertical Inline Models

Dim	Inch	cm
A	14-1/2"	36.83
B	3-5/16"	8.41

Panel Mount Elbow Models

Dim	Inch	cm
A	3-5/16"	8.41
B	15"	38.1
C	17"	43.18



### What's in the box

Flow meter x1  
Instruction manual



# Model Number Matrix

## F-451 Model Number

<b>F</b>	Flow Meter					
<b>Series</b>						
	<b>451</b>	F-451 Polysulfone body				
<b>Scale</b>						
	<b>006</b>	0.5 - 6 gpm (2 - 22 lpm) Teflon Float				
	<b>001</b>	1 - 10 gpm (4 - 40 lpm) 316ss Float				
	<b>002</b>	2 - 20 gpm (6 - 76 lpm) 316ss Float				
	<b>003</b>	3 - 30 gpm (12 - 115 lpm) 316ss Float				
	<b>004</b>	4 - 40 gpm (15 - 155 lpm) 316ss Float				
<b>Guide-Wire Material</b>						
	<b>LHN</b>	316 Stainless steel rod				
<b>Special</b>						
	<b>(Blank)</b>	Standard meter				
<b>Adapter</b>						
	<b>(Blank)</b>	1.0" Female NPT, Polysulfone				
	<b>-24</b>	1.5" Female NPT, PVC				
	<b>E</b>	90° Elbow 1.0" Male NPT , Polysulfone				
<b>O-Ring</b>						
	<b>(Blank)</b>	Viton				
	<b>-22R</b>	EP				
<b>F</b>	<b>-</b>	<b>451</b>	<b>006</b>	<b>LHN</b>		<b>Sample Model Number</b>

\*In-house NIST Calibration, OEM packaging and silicone oil free options are also available.

### Optional Accessories and Components

**Polycarbonate Shield Kit KIT-SHS**  
 (Includes shield and two adapters. Some assembly required.)



# F-452

## Variable Area Flow Meter

- > Polysulfone body resists high temperatures and pressures
- > In-line or panel mount configurations available
- > Indoor use only
- > Full scale accuracy +/- 2%
- > 316ss float & guide-wire



### Highlights

**Flow range**

2 - 175 GPM  
8 - 675 LPM

**Pressures up to**

150 PSI  
(10.3 bar)

**Max. fluid temp.**

200 °F  
93 °C

**Body**

Polysulfone

**Adapters**

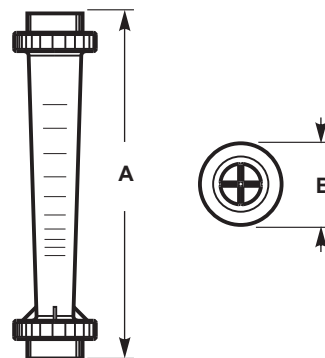
2.0" F/NPT

**Warranty**

1 Year

### Dimensions

Dim	Inch	cm
A	18-7/8"	47.9
B	4-5/8"	11.7



### What's in the box

Flow meter x1  
Instruction manual



# Model Number Matrix

## F-452 Model Number

<b>F</b>	Flow Meter					
	<b>Series</b>					
	<b>452</b>	F-452 Polysulfone Body				
		<b>Scale</b>				
	<b>020</b>	2 - 20 gpm (8 - 78 lpm) Teflon Float				
	<b>060</b>	6 - 60 gpm (30 - 230 lpm) 316ss Float				
	<b>080</b>	8 - 80 gpm (40 - 300 lpm) 316ss Float				
	<b>100</b>	6 - 100 gpm (20 - 380 lpm) 316ss Float				
	<b>130</b>	20 - 130 gpm (80 - 500 lpm) 316ss Float				
	<b>175</b>	25 - 175 gpm (100 - 675 lpm) 316ss Float				
		<b>Guide-Wire Material</b>				
		<b>LHN</b>	316 Stainless steel rod			
			<b>Special</b>			
			<b>(Blank)</b>	Standard Meter		
				<b>Adapter</b>		
				<b>(Blank)</b>	2.0" Female NPT, Polysulfone	
					<b>O-Rings</b>	
					<b>(Blank)</b>	Viton
					<b>-22T</b>	EP
<b>F</b>	<b>-</b>	<b>452</b>	<b>020</b>	<b>LHN</b>		<b>Sample Model Number</b>

\*In-house NIST Calibration, OEM packaging and silicone oil free options are also available.

### Optional Accessories and Components

**Polycarbonate Shield Kit KIT-SHL**  
 (Includes shield and two grooved unions. Some assembly required.)



# F-460

## Variable Area Flow Meter

- > Polysulfone body resists high temperatures and pressures
- > Ultrapure - No metal in fluid path
- > Indoor use only
- > Full scale accuracy +/- 2.5%
- > PTFE float for corrosive applications



### Highlights

**Flow range**

0.1 - 5.0 GPM  
0.4 - 20.0 LPM

**Pressures up to**

150 PSI  
(10.3 bar)

**Max. fluid temp.**

210 °F / 98 °C (PVDF)  
130 °F / 54 °C (PVC)

**Body**

Polysulfone

**Adapters**

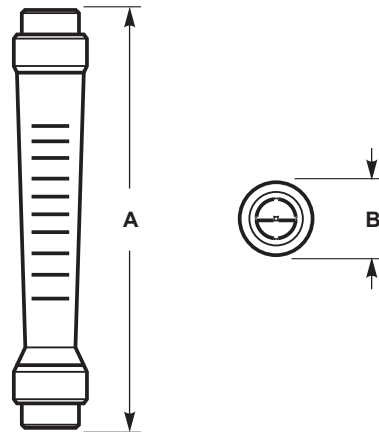
1/2" & 3/4" F/NPT

**Warranty**

1 Year

### Dimensions

Dim	Inch	cm
A	10"	25.4
B	1-3/4"	44.0



### What's in the box

Flow meter x1  
Instruction manual





# Model Number Matrix

## F-460 Model Number

<b>F</b>	Flow Meter						
<b>Series</b>							
	<b>460</b>	F-460 Polysulfone body					
<b>Scale</b>							
	<b>10</b>	0.1 - 1.2 gpm ( 0.4 - 4.4 lpm) Teflon Float					
	<b>20</b>	0.2 - 2.0 gpm (0.8 - 8.0 lpm) Teflon Float					
	<b>30</b>	0.3 - 3.0 gpm (1.0 - 11 lpm) Teflon Float					
	<b>50</b>	0.5 - 5.0 gpm (2.0 - 20 lpm) Teflon Float					
<b>Union</b>							
	<b>LX</b>	Aluminum union					
	<b>LP</b>	PVC union					
<b>Adapter</b>							
	<b>08P</b>	0.5" Female NPT, PVC					
	<b>08K</b>	0.5" Female NPT, PVDF					
	<b>12P</b>	0.75" Female NPT, PVC					
	<b>12K</b>	0.75" Female NPT, PVDF					
<b>O-Rings</b>							
	<b>(Blank)</b>	Viton					
	<b>-22Q</b>	EP					
<b>F</b>	<b>-</b>	<b>460</b>	<b>10</b>	<b>LX</b>	<b>-</b>	<b>08P</b>	<b>Sample Model Number</b>

\*In-house NIST Calibration, OEM packaging and silicone oil free options are also available.

# F-461

## Variable Area Flow Meter

- > Polysulfone body resists high temperatures and pressures
- > Ultrapure - No metal in fluid path
- > Indoor use only
- > Full scale accuracy +/- 2.5%
- > PTFE float for corrosive applications



### Highlights

**Flow range**

1.0 - 35.0 GPM  
4.0 - 130 LPM

**Pressures up to**

150 PSI  
(10.3 bar)

**Max. fluid temp.**

210 °F / 98 °C (PVDF)  
130 °F / 54 °C (PVC)

**Body**

Polysulfone

**Adapters**

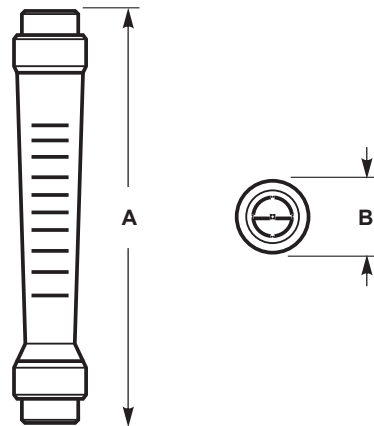
1.0" F/NPT

**Warranty**

1 Year

### Dimensions

Dim	Inch	cm
A	15"	38.1
B	2-3/4"	7.0



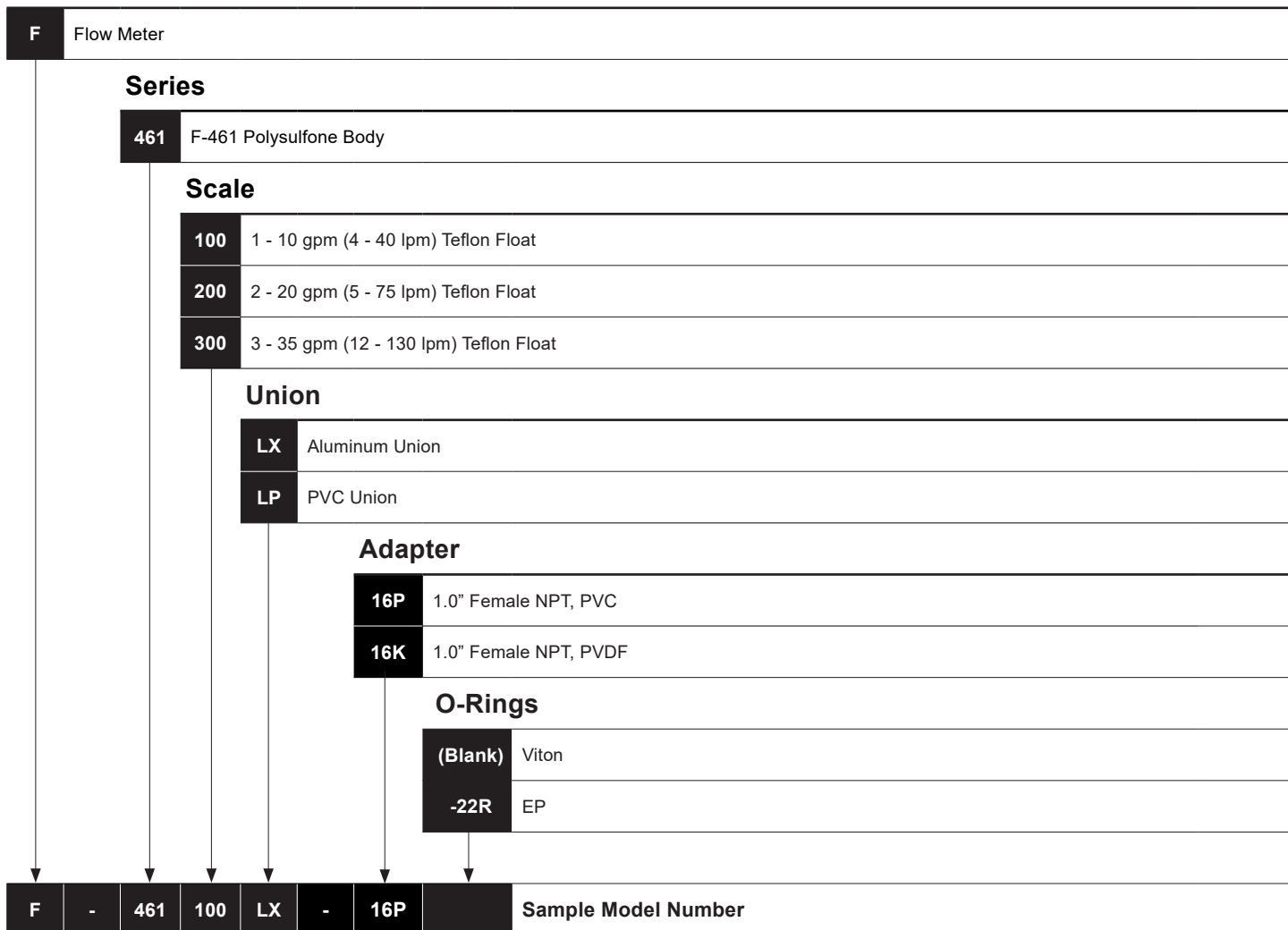
### What's in the box

Flow meter x1  
Instruction manual



# Model Number Matrix

## F-461 Model Number



\*In-house NIST Calibration, OEM packaging, silicone oil free and bulk packaging options are also available.

# F-462

## Variable Area Flow Meter

- > Polysulfone body resists high temperatures and pressures
- > Ultrapure - No metal in fluid path
- > Indoor use only
- > Full scale accuracy +/- 2.5%
- > PTFE float for corrosive applications



### Highlights

#### Flow range

2.0 - 80 GPM  
6 - 300 LPM

#### Pressures up to

150 PSI  
(10.3 bar)

#### Max. fluid temp.

200 °F  
93 °C

#### Body

Polysulfone

#### Adapters

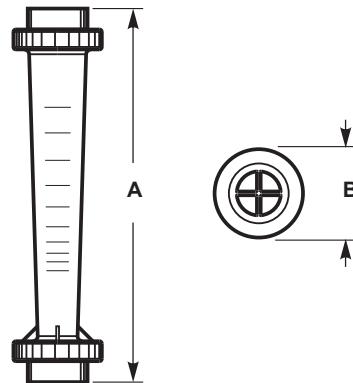
2.0" F/NPT

#### Warranty

1 Year

### Dimensions

Dim	Inch	cm
A	18-7/8"	47.9
B	4-5/8"	11.7



### What's in the box

Flow meter x1  
Instruction manual



# Model Number Matrix

## F-462 Model Number

<b>F</b>	Flow Meter						
<b>Series</b>							
	<b>462</b>	F-462 Polysulfone body					
<b>Scale</b>							
	<b>200</b>	2 - 20 gpm, (8 - 80 lpm) Teflon Float					
	<b>500</b>	5 - 50 gpm (20 - 200 lpm) Teflon Float					
	<b>800</b>	8 - 80 gpm (30 - 300 lpm) Teflon Float					
<b>Union</b>							
	<b>LX</b>	Polysulfone Union					
	<b>LP</b>	PVC Union					
<b>Adapter</b>							
	<b>32H</b>	2.0" Female NPT, Polysulfone					
<b>O-Rings</b>							
	<b>(Blank)</b>	Viton					
	<b>-22T</b>	EP					
<b>F</b>	<b>-</b>	<b>462</b>	<b>200</b>	<b>LX</b>	<b>-</b>	<b>32H</b>	<b>Sample Model Number</b>

\*In-house NIST Calibration, OEM packaging and silicone oil free options are also available.

### Optional Accessories and Components

**Polycarbonate Shield Kit KIT-SHL**  
 (Includes shield and two grooved unions. Some assembly required.)



# FLOW METER WARRANTY

## LIMITED WARRANTY

Your Blue-White product is a quality product and is warranted for a specific time from date of purchase (proof of purchase is required). The product will be repaired or replaced at our discretion. Failure must have occurred due to defect in material or workmanship and not as a result of operation of the product other than in normal operation as defined in the product manual. Warranty status is determined by the product's serial label and the sales invoice or receipt. The serial label must be on the product and legible. The warranty status of the product will be verified by Blue-White or a factory authorized service center.

Variable Area and Digital Flow meters are warranted for 1 year from date of purchase (proof of purchase is required). The flow meter will be repaired or replaced at our discretion. SONIC-PRO® MS6 is warranted for 5 years from date of purchase (proof of purchase is required). The flowmeter will be repaired or replaced at our discretion.

## WHAT IS NOT COVERED

- Freight to the factory, or service center.
- Products that have been tampered with, or in pieces.
- Damage resulting from misuse, carelessness such as chemical spills on the enclosure, abuse, lack of maintenance, or alteration which is out of our control.
- Damage by faulty wiring, power surges or acts of nature.

BLUE-WHITE does not assume responsibility for any loss, damage, or expense directly or indirectly related to or arising out of the use of its products. Failure must have occurred due to defect in material or workmanship and not as a result of operation of the product other than in normal operation as defined in the pump manual.

Warranty status is determined by the pump's serial label and the sales invoice or receipt. The serial label must be on the pump and legible. The warranty status of the pump will be verified by Blue-White or a factory authorized service center.

## PROCEDURE FOR IN WARRANTY REPAIR

Warranty service must be performed by the factory or an authorized service center. Contact the factory or local repair center to obtain a RMA (Return Material Authorization) number. It is recommended to include foot strainer and injection/check valve fitting since these devices may be clogged and part of the problem. Decontaminate, dry, and carefully pack the product to be repaired. Please enclose a brief description of the problem and proof of purchase. Prepay all shipping and insurance cost. COD shipments will not be accepted. Damage caused by improper packaging is the responsibility of the sender. When In-Warranty repair is completed, the factory pays for return shipping to the dealer or customer.

## PRODUCT USE WARNING

Blue-White products are manufactured to meet the highest quality standards in the industry. Each product instruction manual includes a description of the associated product warranty and provides the user with important safety information. Purchasers, installers, and operators of Blue-White products should take the time to inform themselves about the safe operation of these products. In addition, Customers are expected to do their own due diligence regarding which products and materials are best suited for their intended applications. BLUE-WHITE is pleased to assist in this effort but does not guarantee the suitability of any particular product for any specific application as Blue-White does not have the same degree of familiarity with the application that the customer/end user has. While BLUE-WHITE will honor all of its product warranties according to their terms and conditions, Blue-White shall only be obligated to repair or replace its defective parts or products in accordance with the associated product warranties.

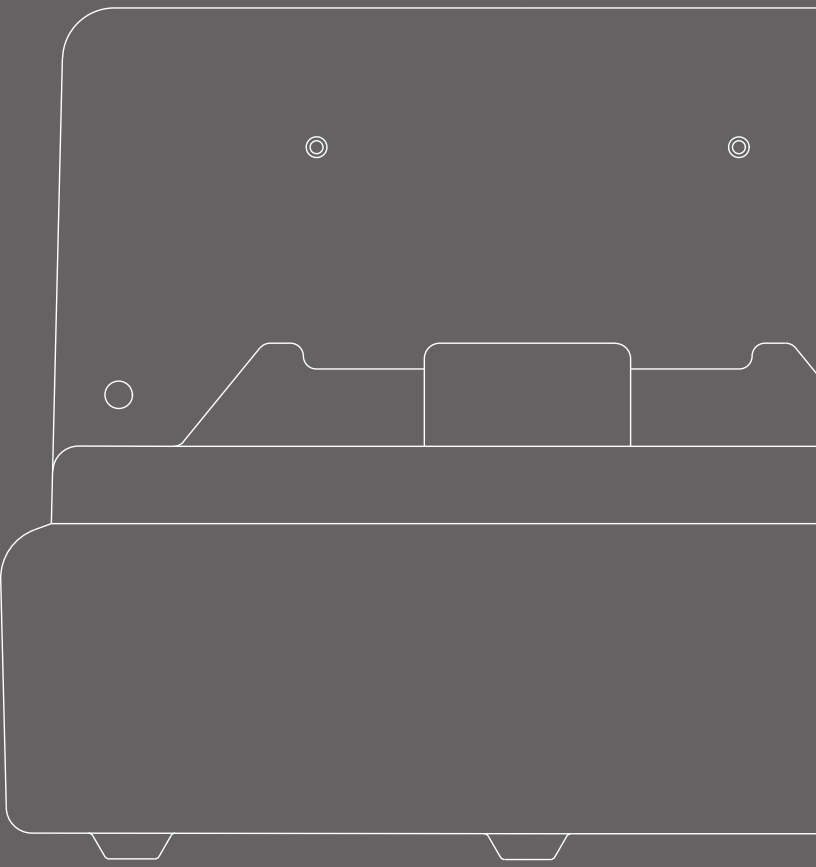
**BLUE-WHITE SHALL NOT BE LIABLE EITHER IN TORT OR IN CONTRACT FOR ANY LOSS OR DAMAGE WHETHER DIRECT, INDIRECT, INCIDENTAL, OR CONSEQUENTIAL, ARISING OUT OF OR RELATED TO THE FAILURE OF ANY OF ITS PARTS OR PRODUCTS OR OF THEIR NONSUITABILITY FOR A GIVEN PURPOSE OR APPLICATION.**

## CHEMICAL RESISTANCE WARNING

BLUE-WHITE offers a wide variety of wetted parts. Purchasers, installers, and operators of Blue-White products must be well informed and aware of the precautions to be taken when injecting or measuring various chemicals, especially those considered to be irritants, contaminants or hazardous. Customers are expected to do their own due diligence regarding which products and materials are best suited for their applications, particularly as it may relate to the potential effects of certain chemicals on Blue-White products and the potential for adverse chemical interactions. Blue-White tests its products with water only. The chemical resistance information included in this instruction manual was supplied to BLUE-WHITE by reputable sources, but Blue-White is not able to vouch for the accuracy or completeness thereof. While BLUE-WHITE will honor all of its product warranties according to their terms and conditions, Blue-White shall only be obligated to repair or replace its defective parts or products in accordance with the associated product warranties.

**BLUE-WHITE SHALL NOT BE LIABLE EITHER IN TORT OR IN CONTRACT FOR ANY LOSS OR DAMAGE, WHETHER DIRECT, INDIRECT, INCIDENTAL, OR CONSEQUENTIAL, ARISING OUT OF OR RELATED TO THE USE OF CHEMICALS IN CONNECTION WITH ANY BLUE-WHITE PRODUCTS.**

Users of electrical and electronic equipment (EEE) with the WEEE marking per Annex IV of the WEEE Directive must not dispose of end of life EEE as unsorted municipal waste, but use the collection framework available to them for the return, recycle, recovery of WEEE and minimize any potential effects of EEE on the environment and human health due to the presence of hazardous substances. The WEEE marking applies only to countries within the European Union (EU) and Norway. Appliances are labeled in accordance with European Directive 2002/96/EC. Contact your local waste recovery agency for a Designated Collection Facility in your area.



**MUNICIPAL**  
Tank Systems  
and Accessories

**Blue-White**<sup>®</sup>

# STAR III SYSTEM

## Metering Pump Tank System



- > Polyethylene tank with U.V. inhibitors for sunlight protection
- > The tank has extra heavy wall thickness for stability
- > All necessary accessories are included
- > Raised off the floor for easy wash down
- > Lid position: open, closed, or vented
- > For use with: M1, MD1, and A100N pumps.

### Highlights

#### Tank capacity

7 gallon,  
15 gallon, or  
30 gallon

#### Compatibility

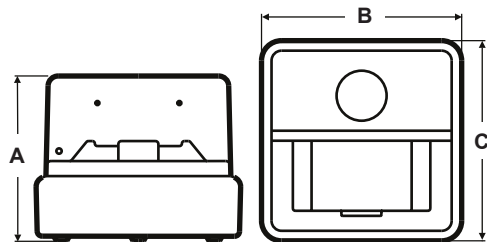
M1, MD1

#### Warranty

1 Year

### Dimensions

	7 Gallon Tank	15 Gallon Tank	30 Gallon Tank
PART	KIT-S07	KIT-S15	KIT-S30
A	12" (30cm)	17.25" (44cm)	27.50" (69cm)
B	18.5" (47cm)	20" (51cm)	20" (51cm)
C	18.5" (47cm)	20" (51cm)	20" (51cm)
SHIP WT	24 lb. (11kg)	32 lb. (15kg)	38 lb. (18kg)



### What's in the box

- One tank
- One lid (3-way position for open, closed or vented)
- One foot valve (71000-351)
- Mounting screws
- Pump mounting bracket



# CHEMICAL TANK

## Tank System

- > Polyethylene single wall tank
- > U.V. inhibitors for sunlight protection
- > The tank has extra heavy wall thickness for stability
- > Includes volume graduation marks



## Highlights

### Tank capacity

15 gallon,  
30 gallon, or  
50 gallon

### Complete

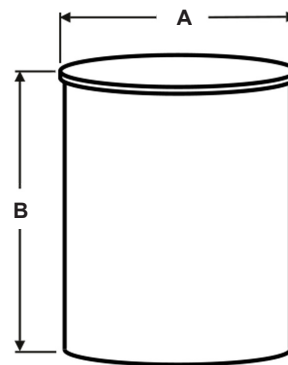
Tanks come with solid,  
one-piece lid

### Warranty

1 Year

## Dimensions

	ST-15	ST-30	ST-50
	15 Gallon Tank	30 Gallon Tank	50 Gallon Tank
<b>A</b>	14.13" (35.8 cm)	18.50" (46.9 cm)	22.50" (57.1 cm)
<b>B</b>	23.63" (60.0 cm)	28.38" (72.0 cm)	33.38" (84.7 cm)
<b>SHIP WT</b>	11 lb. (4.90 kg)	16 lb. (7.30 kg)	23 lb. (10.40 kg)



## What's in the box

1 Tank  
1 Lid

# PUMP ACCESSORIES

Cat. No.	Part No.	Description
<b>FOOT VALVES AND STRAINERS</b>		
C-340A		Foot Valve for 1/4" ID, 3/8" OD tubing, Aflas, PVDF (No spring)
C-340E		Foot Valve for 1/4" ID, 3/8" OD tubing, EP, PVDF (No spring)
C-342-6		Strainer, for 1/4" ID tubing
C-346		Ceramic Weight (for 3/8" OD tubing)
C-345E		Foot Valve/Bulkhead Fitting for 1/4" tubing, 3/8" OD, EP Seal, PVDF
C-345A		Foot Valve/Bulkhead Fitting for 1/4" tubing, 3/8" OD, FKM/Aflas, PVDF
	71000-825	Suction Strainer, 1/2" Barb, PVDF body
	71000-824	Suction Strainer, 1/2" MNPT, PVDF body
	71010-261	Foot Valve, 1/4" ID x 3/8 OD tube, PVDF Body, FKM O-ring
	71000-575	Foot Valve, 1/2" Barb, PVDF Body, FKM O-ring
	71000-576	Foot Valve, 1/2" Barb, PVDF Body, EP O-ring
	71000-849	Foot Valve, 1/2" MNPT, PVDF Body, FKM O-ring
	71000-850	Foot Valve, 1/2" MNPT, PVDF Body, EP O-ring
	71001-005	Foot Valve, 1/2" MNPT, PVDF Body, FKM O-ring (PTFE Ball)
	71001-106	Foot Valve, 1/4" ID x 3/8 OD tube, PVDF Body, FKM O-ring
	71001-107	Foot Valve, 1/4" ID x 3/8 OD tube, PVDF Body, EP O-ring
<b>INJECTION VALVES for FLEXFLO</b>		
A-014N-6A		Injection Valve, for 3/8" OD Tubing, Aflas/FKM, PP body, 1/2 psi
A-014N-6E		Injection Valve, for 3/8" OD Tubing, EP, PP body, 1/2 psi
A-014NK-6A		Injection Valve, for 3/8" OD Tubing, Aflas/FKM, PVDF body, 1/2 psi
A-014NK-6E		Injection Valve, for 3/8" OD Tubing, EP, PVDF body, 1/2 psi
A-014NK-6A-T		Injection Valve, for 3/8" OD Tubing, Aflas/FKM, PVDF body, 1/2 psi (PTFE Ball)
	71000-770	Injection Valve, 1/2" Barb Tubing, FKM, PVDF body, 2 psi
	71000-377	Injection Valve, 1/2" Barb Tubing, EP, PVDF body, 2 psi
	71000-985	Injection Valve, 1/2" MNPT, FKM, PVDF body, 2 psi (PTFE Ball)
	71000-767	Injection Valve, 1/2" MNPT, FKM, PVDF body, 2 psi
	71000-386	Injection Valve, 1/2" MNPT, EP, PVDF body, 2 psi
<b>INJECTION VALVES for CHEM-FEED</b>		
C-395N-6A		Injection Valve, for 3/8" OD Tubing, Aflas/FKM, PP body, 6 psi
C-395N-6E		Injection Valve, for 3/8" OD Tubing, EP, PP body, 6 psi
C-395NK-6A		Injection Valve, for 3/8" OD Tubing, Aflas/FKM, PVDF body, 6 psi
C-395NK-6E		Injection Valve, for 3/8" OD Tubing, EP, PVDF body, 6 psi
C-395NK-6A-PTFE		Injection Valve, for 3/8" OD Tubing, Aflas/FKM, PVDF body, 6 psi (PTFE Ball)
	71000-579	Injection Valve, 1/2" Barb Tubing, FKM, PVDF body, 6 psi
	71000-580	Injection Valve, 1/2" Barb Tubing, EP, PVDF body, 6 psi
	71000-577	Injection Valve, 1/2" MNPT, FKM, PVDF body, 6 psi
	71000-578	Injection Valve, 1/2" MNPT, EP, PVDF body, 6 psi
	71001-004	Injection Valve, 1/2" MNPT, FKM, PVDF body, 6 psi (PTFE Ball)

Cat. No.	Part No.	Description
<b>FLOW INDICATORS</b>		
FI-100-8SV		Flow Indicator, Acrylic Body, Ceramic Ball. 1/2" PVC Slip, FKM O-ring
FI-100-8SE		Flow Indicator, Acrylic Body, Ceramic Ball. 1/2" PVC Slip, EP O-ring
FI-100-8MV		Flow Indicator, Acrylic Body, Ceramic Ball. 1/2" MNPT, FKM O-ring
FI-100-8ME		Flow Indicator, Acrylic Body, Ceramic Ball. 1/2" MNPT, EP O-ring
<b>TUBING</b>		
C-334-6		Tubing, Suction, clear PVC 3/8" OD x 5 ft length
C-334-6-10		Tubing, Suction, clear PVC 3/8" OD x 10 ft length
C-334-6-25		Tubing, Suction, clear PVC 3/8" OD x 25 ft length
C-334-6-100		Tubing, Suction, clear PVC 3/8" OD x 100 ft length
	76001-361	Tubing, Suction, clear PVC, 1/2" ID x 3/4" OD, 8 ft length
C-335-6		Tubing, Discharge, polyethylene, 3/8" OD x 5 ft length
C-335-6-10		Tubing, Discharge, polyethylene, 3/8" OD x 10 ft length
C-335-6-25		Tubing, Discharge, polyethylene, 3/8" OD x 25 ft length
C-335-6-100		Tubing, Discharge, polyethylene, 3/8" OD x 100 ft length
	90008-437	Tubing, Discharge, Clear Braided PVC, 1/2" ID x 3/4" OD.
<b>COMPRESSION NUTS and CLAMPS</b>		
C-330-6		PVDF Compression Nut, FNPT Threaded
C-3330		Hose Clamp, 316 SS, Screw Tightened
<b>QUICK DISCONNECT KITS</b>		
KIT-CQA		Quick Disconnect Kit for CD1 Pump, PVDF, Aflas
KIT-CQE		Quick Disconnect Kit for CD1 Pump, PVDF, EP
KIT-QSV		Quick Disconnect Kit for A2, A3 Pumps, 1/4" x 3/8" fitting "S", PVDF, FKM
KIT-QSE		Quick Disconnect Kit for A2, A3 Pumps, 1/4" x 3/8" fitting "S", PVDF, EP
KIT-QSA		Quick Disconnect Kit for A2, A3 Pumps, 1/4" x 3/8" fitting "S", PVDF, Aflas
KIT-QBV		Quick Disconnect Kit for A2, A3, A4 Pumps, 1/2" Hose Barb fitting "B", PVDF, FKM
KIT-QBE		Quick Disconnect Kit for A2, A3, A4 Pumps, 1/2" Hose Barb fitting "B", PVDF, EP
KIT-QBA		Quick Disconnect Kit for A2, A3, A4 Pumps, 1/2" Hose Barb fitting, "B", PVDF, Aflas
KIT-QMV		Quick Disconnect Kit for A2, A3, A4 Pumps, 1/2" MNPT fitting "M", PVDF, FKM
KIT-QME		Quick Disconnect Kit for A2, A3, 4 Pumps, 1/2" MNPT fitting "M", PVDF, EP
KIT-QMA		Quick Disconnect Kit for A2, A3, A4 Pumps, 1/2" MNPT fitting "M", PVDF, Aflas
<b>PUMP SHELF</b>		
KIT-PSM		Wall Mount Bracket, HDPE

Cat. No.	Part No.	Description
<b>POWER CORDS</b>		
	90010-663	Power Cord, 6 ft Detachable, 115V / 60Hz, power cord NEMA 5/15 plug (US)
	90010-711	Power Cord, 6ft Detachable / Lockable, 115V / 60 Hz (M3/M4/M5/MD3 only)
	90010-821	Power Cord, 6ft Detachable / Lockable, 115V / 60 Hz (AM1, MD1 only)
	90010-664	Power Cord, 6 ft Detachable, 220V / 50HZ, power cord CEE 7/VII plug (EU)
	90010-665	Power Cord, 6 ft Detachable, 230V / 50HZ, power cord BS 1363/A plug (UK)
	90010-666	Power Cord, 6 ft Detachable, 240V / 50HZ, power cord AS 3112 plug (AU/New Zealand)
	90010-696	Power Cord, 6 ft Detachable, 230V / 60Hz, power cord NEMA 6/15 plug (US)
<b>M12 CABLES</b>		
	KIT-M12	M12 Cable Assy, 10 ft, Qty 2
	KIT-M12-2-15	M12 Cable Assy, 15 ft, Qty 2
	KIT-M12-2-30	M12 Cable Assy, 30 ft, Qty 2
	KIT-M12-3	M12 Cable Assy, 10 ft, Qty 3
	KIT-M12-3-15	M12 Cable Assy, 15 ft, Qty 3
	KIT-M12-3-30	M12 Cable Assy, 30 ft, Qty 3
	KIT-M12-6	M12 Cable Assy, 10 ft, Qty 6
	KIT-M12-6-15	M12 Cable Assy, 15 ft, Qty 6
	KIT-M12-6-30	M12 Cable Assy, 30 ft, Qty 6
<b>OTHER CABLES</b>		
	KIT-DP3	Profibus Cable, M12, 3 ft
	CABLE-UAC	USB A-C Cable
<b>MISC</b>		
	A-050	Silicon Oil, 5 ml
	CB-1SX	Convertor Box with Six M12 Cables

# MUNICPAL

## CO<sub>2</sub> Feed System

***Blue-White***<sup>®</sup>

# CO<sub>2</sub> Feed System

- Safe Alternative to Acid Feed for pH Control
- Accurate and Reliable Flowmeter for Precise Feed
- 0-80 scfh float (installed), 30-350 scfh float (included separately)
- Illuminated On/Off Switch
- Stainless Steel Solenoid Valve
- Easy Push Connectors for Tubing Connection



## Highlights

### CO<sub>2</sub> Flow Ranges

0-80 scfh  
30-350 scfh

### Flowmeter

Accurate Polysulfone  
Blue-White Rotameter

### Solenoid Valve

Stainless Steel

### Enclosure

Nema 4X

### Injector / Eductor

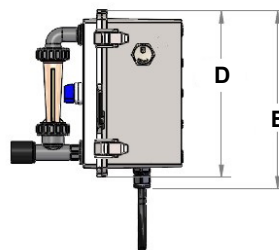
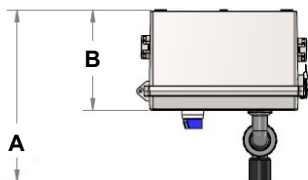
Effective Dissolution

### Warranty

1 Year

## Dimensions

Dim	Inch	cm
A	8.91"	22.6
B	5.21"	13.2
C	8.94"	22.7
D	8.60"	21.8
E	9.19"	23.3



## What's in the box

CO<sub>2</sub> Feed System with 6 ft power cord  
 Float for 0-80 scfh (installed), and float for 30-350 scfh (included separately)  
 Injector/Diffuser (for use with 0-80 scfh flow)  
 Tubing - 10' length (3/8" OD, 1/4" ID)  
 Instruction manual



# Model Number Matrix

CO2

## Model Number

<b>CO2</b>	CO <sub>2</sub> Feed System			
<b>Series Control Options</b>				
<b>X</b>	Manual / Local Control Only			
<b>Power / Operating Voltage / Cord</b>				
<b>2</b>	24VDC			
<b>4</b>	115V / 60Hz, power cord NEMA 5/15 plug (US)			
<b>Options</b>				
<b>X</b>	No option selected			
<b>CO2</b>	<b>X</b>	<b>4</b>	<b>X</b>	Sample Model Number

## Accessories



**Injector / Diffuser**  
**CO2-DCV**

Included with Feed System



**EDUCTOR, 3/4" MNPT**  
**CO2-EDU**



**Pressure Regulator**  
**CO2-REG**



**2-Cylinder Switchover**  
**CO2-SM2**



**4-Cylinder Switchover**  
**CO2-SM4**



**20 lb Aluminum Cylinder**  
**CO2-T20**



**50 lb Aluminum Cylinder**  
**CO2-T50**



**Diffusor Filter Element**  
**CO2-DIF**



**CO<sub>2</sub> Pre-heater, 120 VAC**  
**CO2-HTR**

# CO<sub>2</sub> FEED SYSTEM WARRANTY

## LIMITED WARRANTY

Your Blue-White product is a quality product and is warranted for a specific time from date of purchase (proof of purchase is required). The product will be repaired or replaced at our discretion. Failure must have occurred due to defect in material or workmanship and not as a result of operation of the product other than in normal operation as defined in the product manual. Warranty status is determined by the product's serial label and the sales invoice or receipt. The serial label must be on the product and legible. The warranty status of the product will be verified by Blue-White or a factory authorized service center.

CO<sub>2</sub> Feed Systems are warranted for 1 year from date of purchase (proof of purchase is required). The system will be repaired or replaced at our discretion.

## WHAT IS NOT COVERED

- Freight to the factory, or service center.
- Products that have been tampered with, or in pieces.
- Damage resulting from misuse, carelessness such as chemical spills on the enclosure, abuse, lack of maintenance, or alteration which is out of our control.
- Damage by faulty wiring, power surges or acts of nature.
- Damage damage that occurs as a result of: meter misalignment, improper installation, over tightening, use of non-recommended chemicals, use of nonrecommended adhesives or pipe dopes, excessive heat or pressure, or allowing the meter to support the weight of related piping.

BLUE-WHITE does not assume responsibility for any loss, damage, or expense directly or indirectly related to or arising out of the use of its products. Failure must have occurred due to defect in material or workmanship and not as a result of operation of the product other than in normal operation as defined in the manual.

Warranty status is determined by the product's serial label and the sales invoice or receipt. The serial label must be on the product and legible. The warranty status will be verified by Blue-White or a factory authorized service center.

## PROCEDURE FOR IN WARRANTY REPAIR

Warranty service must be performed by the factory or an authorized service center. Contact the factory or local repair center to obtain a RMA (Return Material Authorization) number. It is recommended to include foot strainer and injection/check valve fitting since these devices may be clogged and part of the problem. Decontaminate, dry, and carefully pack the product to be repaired. Please enclose a brief description of the problem and proof of purchase. Prepay all shipping and insurance cost. COD shipments will not be accepted. Damage caused by improper packaging is the responsibility of the sender. When In-Warranty repair is completed, the factory pays for return shipping to the dealer or customer.

## PRODUCT USE WARNING

Blue-White products are manufactured to meet the highest quality standards in the industry. Each product instruction manual includes a description of the associated product warranty and provides the user with important safety information. Purchasers, installers, and operators of Blue-White products should take the time to inform themselves about the safe operation of these products. In addition, Customers are expected to do their own due diligence regarding which products and materials are best suited for their intended applications. BLUE-WHITE is pleased to assist in this effort but does not guarantee the suitability of any particular product for any specific application as Blue-White does not have the same degree of familiarity with the application that the customer/end user has. While BLUE-WHITE will honor all of its product warranties according to their terms and conditions, Blue-White shall only be obligated to repair or replace its defective parts or products in accordance with the associated product warranties.

**BLUE-WHITE SHALL NOT BE LIABLE EITHER IN TORT OR IN CONTRACT FOR ANY LOSS OR DAMAGE WHETHER DIRECT, INDIRECT, INCIDENTAL, OR CONSEQUENTIAL, ARISING OUT OF OR RELATED TO THE FAILURE OF ANY OF ITS PARTS OR PRODUCTS OR OF THEIR NONSUITABILITY FOR A GIVEN PURPOSE OR APPLICATION.**

## CHEMICAL RESISTANCE WARNING

BLUE-WHITE offers a wide variety of wetted parts. Purchasers, installers, and operators of Blue-White products must be well informed and aware of the precautions to be taken when injecting or measuring various chemicals, especially those considered to be irritants, contaminants or hazardous. Customers are expected to do their own due diligence regarding which products and materials are best suited for their applications, particularly as it may relate to the potential effects of certain chemicals on Blue-White products and the potential for adverse chemical interactions. Blue-White tests its products with water only. The chemical resistance information included in this instruction manual was supplied to BLUE-WHITE by reputable sources, but Blue-White is not able to vouch for the accuracy or completeness thereof. While BLUE-WHITE will honor all of its product warranties according to their terms and conditions, Blue-White shall only be obligated to repair or replace its defective parts or products in accordance with the associated product warranties.

**BLUE-WHITE SHALL NOT BE LIABLE EITHER IN TORT OR IN CONTRACT FOR ANY LOSS OR DAMAGE, WHETHER DIRECT, INDIRECT, INCIDENTAL, OR CONSEQUENTIAL, ARISING OUT OF OR RELATED TO THE USE OF CHEMICALS IN CONNECTION WITH ANY BLUE-WHITE PRODUCTS.**

Users of electrical and electronic equipment (EEE) with the WEEE marking per Annex IV of the WEEE Directive must not dispose of end of life EEE as unsorted municipal waste, but use the collection framework available to them for the return, recycle, recovery of WEEE and minimize any potential effects of EEE on the environment and human health due to the presence of hazardous substances. The WEEE marking applies only to countries within the European Union (EU) and Norway. Appliances are labeled in accordance with European Directive 2002/96/EC. Contact your local waste recovery agency for a Designated Collection Facility in your area.

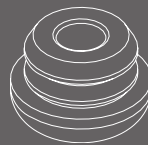
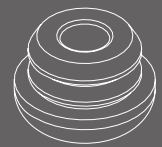
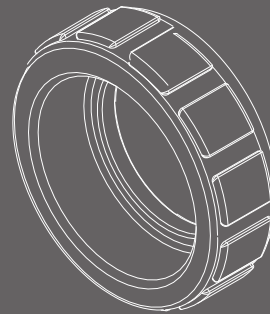
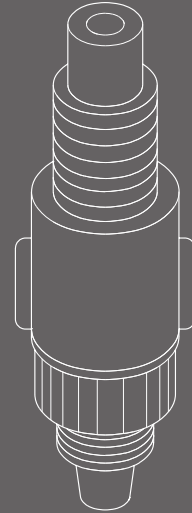


This page intentionally left blank.

This page intentionally left blank.

# MUNICIPAL

## Replacement Parts

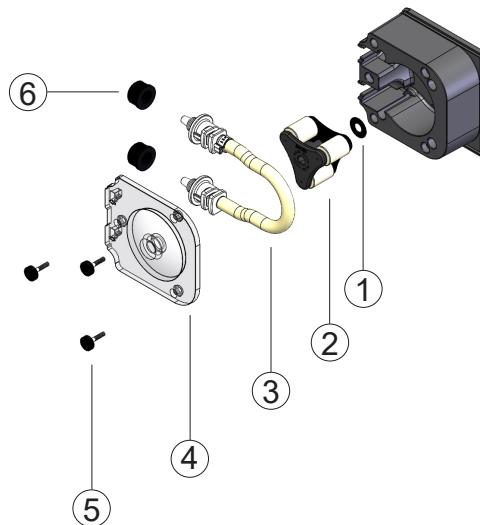


## M1 Replacement Parts

Pump Head Components	Part No.	QTY Req'd
<b>1</b> Spacer, back	90011-014	1
<b>2</b> Complete Roller Assembly*		1
A1-1T / A1-2T / A1-3T / A1-7T	71000-350	
A1-4T / A1-6T	71000-159	
A1-8T	71000-255	
<b>3</b> Tubing ( <b>Reference Tubing Matrix</b> )		1
<b>4</b> Pump Head Cover	90002-185	1
<b>5</b> Thumb screw with 9/64" key drive	90011-160	3
<b>6</b> Tube nut, compression, for 3/8" tubing**	C-330-6	2
<b>N/S</b> Mounting Bracket	90002-685	1
<b>N/S</b> Bumper Feet	90003-592	4
<b>N/S</b> Cover, Top, Polycarbonate	90002-684	1

\*Rollers are specific to tube being used. See next page for complete tube part numbers.

\*\*Tube nuts are used on "T" style inlet/outlet compression fittings.



\*Pump Head not for sale. For more information please contact a local sales representative.

## FLEXFLO® Model Number

**A1** Tubing

### Pump Tube Size and Material

<b>1</b>	Flex-A-Thane® 1/4" OD
<b>2</b>	Flex-A-Thane® 3/8" OD
<b>3</b>	Flex-A-Thane® 7/16" OD
<b>4</b>	Flex-A-Prene® 1/4" OD
<b>6</b>	Flex-A-Prene® 3/8" OD
<b>7</b>	Flex-A-Prene® 7/16" OD
<b>8</b>	Flex-A-Chem® 7/16" OD

### Inlet/Outlet Connection Size, Connection Type

<b>T</b>	3/8" OD x 1/4" Tube Compression Fitting, Natural PVDF (Kynar)
<b>M</b>	1/2" Male NPT Fitting, Natural PVDF (Kynar)
<b>MB</b>	1/2" Male BSPT Fitting, Natural PVDF (Kynar)

**A1** - **1** **T** Tube Sample Model Number

## Output Specifications

Tube Material / Size	Feed Rate			Max Pressure	Max Temperature
	GPH	LPH	mL/Min	PSI (bar)	°F (°C)
<b>Flex-A-Thane® Tube</b>					
1	Up to 1.09	Up to 4.13	Up to 68.8	65 (4.50)	130 (54)
2	Up to 2.27	Up to 8.63	Up to 143.8	65 (4.50)	130 (54)
3	Up to 5.60	Up to 21.2	Up to 353.3	50 (3.45)	130 (54)
<b>Flex-A-Prene® Tube</b>					
4	Up to .44	Up to 1.68	Up to 28.0	100 (6.89)	185 (85)
6	Up to 1.35	Up to 5.14	Up to 85.2	100 (6.89)	185 (85)
7	Up to 4.17	Up to 15.8	Up to 263.1	50 (3.45)	185 (85)
<b>Flex-A-Chem® Tube</b>					
8	Up to 3.09	Up to 11.7	Up to 195.0	50 (3.45)	130 (54)

## M2 Replacement Parts

Pump Head Components		Part No.	QTY Req'd
<b>1</b>	Spacer, Rear	90011-217	1
<b>2</b>	Complete Roller Assembly		1
	ND	A2-SND-R	
	NEE / NGG	A2-SNGG-R	
	TH	A2-STH-R	
	GE / GG / G2G / GH	A2-SGE-R	
<b>3</b>	Tubing ( <b>Reference Tubing Matrix</b> )		1
<b>4</b>	Pump Head Cover (includes front spacer)	A2-SXX-C	1
<b>5</b>	Thumb Screws	90011-183	4
<b>6</b>	Tube Nut, Compression 3/8" Tubing*	C-330-6	2
<b>7</b>	Spacer, Front	90011-217	1

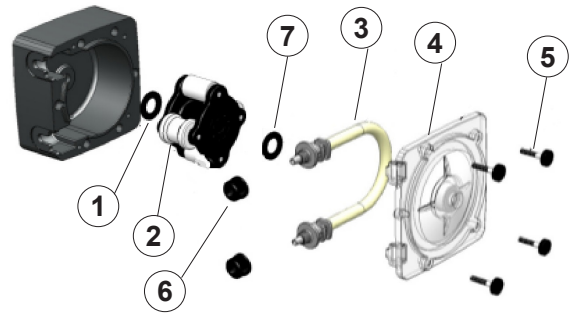
\*Tube nuts for 'S' type tubing only

Quick Disconnect Fittings*		Part No.	QTY Req'd
<b>8</b>	Quick Disconnect		1
	.50" Barb FKM	KIT-QBV	
	.50" Barb EP	KIT-QBE	
	.50" Barb Aflas	KIT-QBA	
	.50" M/NPT FKM	KIT-QMV	
	.50" M/NPT EP	KIT-QME	
	.50" M/NPT Aflas	KIT-QMA	
	3/8" OD, 1/4" ID Tube Compression, FKM	KIT-QSV	
	3/8" OD, 1/4" ID Tube Compression, EP	KIT-QSE	
	3/8" OD, 1/4" ID Tube Compression, Aflas	KIT-QSA	

\*Only available for Q tubes

Miscellaneous Parts*		Part No.	QTY Req'd
<b>A</b>	Stainless Steel Mounting Bracket	72000-379	1
<b>B</b>	Stainless Steel Mounting Bracket (Extended)	72000-380	1
<b>C</b>	Rubber Feet	90003-561	4
<b>D</b>	Tube Installation Tool	90002-278	1

\*Sold Separately



\*Pump Head not for sale. For more information please contact a local sales representative.



8



A



B



C



D

## FLEXFLO® Model Number

<b>A2</b>	Tubing					
<b>Inlet/Outlet Connection Size, Connection Type, Connection Material</b>						
<b>S</b>	3/8" OD x 1/4" ID Tube Compression Fitting, Natural PVDF (Kynar)					
<b>M</b>	1/2" Male NPT Fitting, Natural PVDF (Kynar)					
<b>B</b>	1/2" Hose Barb, Natural PVDF (Kynar), available for ND, NEE, NGG, and G2G only					
<b>C</b>	1/2" - 3/4" Tri-clamp connections, Natural PVDF (Kynar), available for ND, NEE, NGG, and G2G only					
<b>Q</b>	Quick Disconnect, Natural PVDF (Kynar), available for ND, NEE, NGG, and G2G only (valves sold separately)					
<b>MB</b>	1/2" Male BSPT Fitting, Natural PVDF (Kynar)					
<b>Pump Tube Material, Pump Tube Size</b>						
<b>GE</b>	Flex-A-Thane® .125 ID	<b>ND</b>	Flex-A-Prene® .075 ID			
<b>GG</b>	Flex-A-Thane® .187 ID	<b>NEE</b>	Flex-A-Prene® .093 ID			
<b>G2G</b>	Flex-A-Thane® .187 ID (dual tube)	<b>NGG</b>	Flex-A-Prene® .187 ID			
<b>GH</b>	Flex-A-Thane® .312 ID	<b>TH</b>	Flex-A-Chem® .250 ID			
<b>A2</b>	-	<b>S</b>	<b>GE</b>	-	<b>T</b>	<b>Tube Sample Model Number</b>

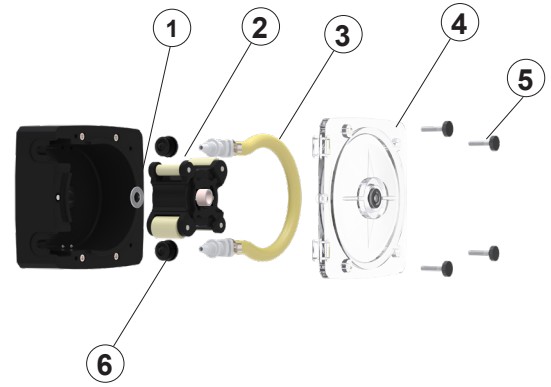
## Output Specifications

Tube Material / Size	Feed Rate			Max Pressure	Max Temperature
	GPH	LPH	mL/Min	PSI (bar)	°F (°C)
<b>Flex-A-Thane® Tube</b>					
GE	Up to 4.0	Up to 15.2	Up to 253	65 (4.50)	130 (54)
GG	Up to 9.3	Up to 35.2	Up to 587	65 (4.50)	130 (54)
G2G	Up to 14.98	Up to 56.7	Up to 945	65 (4.50)	130 (54)
GH	Up to 21.23	Up to 80.4	Up to 1340	65 (4.50)	130 (54)
<b>Flex-A-Prene® Tube</b>					
ND	Up to 1.7	Up to 6.5	Up to 108	125 (8.60)	185 (85)
NEE	Up to 4.4	Up to 16.8	Up to 280	110 (7.60)	185 (85)
NGG	Up to 17.2	Up to 65	Up to 1085	110 (7.60)	185 (85)
<b>Flex-A-Chem® Tube</b>					
TH	Up to 14.3	Up to 54	Up to 900	50 (3.45)	130 (54)

## M3 Replacement Parts

### Pump Head Components

	Part No.	QTY Req'd	
<b>1</b>	Spacer, Rear	90011-184	1
<b>2</b>	Complete Roller Assembly		1
	NGG / NH / NJ / NK / NHL / NEE / TK	A3-SNGG-R	
	TH / NKL	A3-STH-R	
	ND / NF	A3-SND-R	
	GE / GG / GH / GK / G2G	A3-SGE-R	
<b>3</b>	Tubing ( <b>Reference Tubing Matrix</b> )		1
<b>4</b>	Pump Head Cover	A3-SXX-C	1
<b>5</b>	Thumb Screws	90011-183	4
<b>6</b>	Tube Nut, Compression, For 3/8" Tubing	C-330-6	2

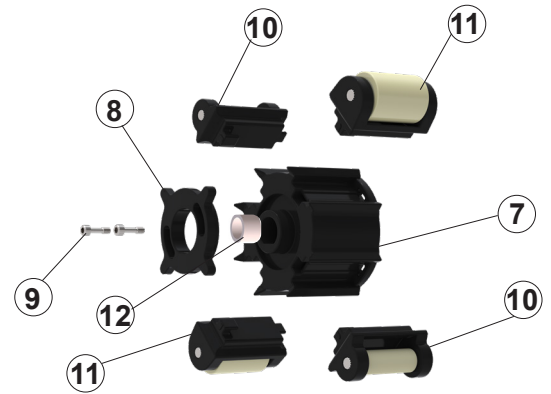


\* Pump Head not for sale.  
For more information please contact a local sales representative.

### Roller Assembly Parts

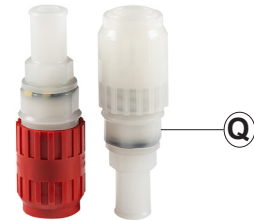
	Part No.	QTY Req'd	
<b>7</b>	ROTOR BODY	90002-748*	1
<b>8</b>	SPIDER RING	90002-749*	1
<b>9</b>	10-32 CAPTIVE SCREW	90011-351*	2
	ROTOR ASSY (7, 8, 9, and 12)	A3-SXX-RB	1
<b>10</b>	ARM ROLLER GUIDE	71010-960	2
<b>11</b>	ARM ROLLER		
	NGG / NH / NJ / NK / NHL / NEE / TK	71010-956	2
	TH / NKL	71010-957	2
	ND / NF	71010-958	2
	GE / GG / GH / GK / G2G	71010-959	2
<b>12</b>	Spacer, Front	76010-177	1

\*Only available as part of Rotor Assy A3-SXX-RB



### Quick Disconnect Fittings

	Part No.	QTY Req'd
<b>Q</b>	Quick Disconnect Fittings	1
	.50" M/NPT FKM	KIT-QMV
	.50" M/NPT EP	KIT-QME
	.50" M/NPT Aflas	KIT-QMA
	.50" Barb FKM	KIT-QBV
	.50" Barb EP	KIT-QBE
	.50" Barb Aflas	KIT-QBA
	3/8" OD, 1/4" ID Tube Compression, FKM	KIT-QSV
	3/8" OD, 1/4" ID Tube Compression, EP	KIT-QSE
	3/8" OD, 1/4" ID Tube Compression, Aflas	KIT-QSA



### Miscellaneous Parts

	Part No.	QTY Req'd	
<b>A</b>	SS Mounting Bracket (Standard)	72000-379	1
<b>B</b>	SS Mounting Bracket (Extended)	72000-380	1
<b>C</b>	Rubber Feet	90003-561	4



**A**

**B**



**C**



## FLEXFLO® Model Number

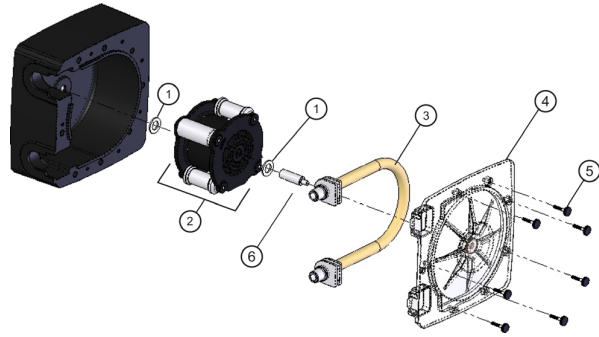
<b>A3</b>	Tubing					
<b>Inlet/Outlet Connection Size, Connection Type, Connection Material</b>						
<b>S</b>	3/8" OD x 1/4" ID Tube Compression Fitting, Natural PVDF (Kynar)					
<b>M</b>	1/2" Male NPT Fitting, Natural PVDF (Kynar)					
<b>B</b>	1/2" Hose Barb, Natural PVDF (Kynar), available for ND, NEE, NGG, NKL and G2G only					
<b>C</b>	1/2" - 3/4" Tri-clamp connections, Natural PVDF (Kynar), available for ND, NEE, NGG, NKL and G2G only					
<b>Q</b>	Quick Disconnect, Natural PVDF (Kynar), available for ND, NEE, NGG, NKL, and G2G only (valves sold separately)					
<b>MB</b>	1/2" Male BSPT Fitting, Natural PVDF (Kynar)					
<b>Pump Tube Material, Pump Tube Size, Output Range</b>						
<b>ND</b>	Flex-A-Prene® .075 ID	<b>NKL</b>	Flex-A-Prene® .375 ID	<b>G2G</b>	Flex-A-Thane® .187 ID (dual tube)	
<b>NEE</b>	Flex-A-Prene® .093 ID	<b>GE</b>	Flex-A-Thane® .125 ID	<b>TH</b>	Flex-A-Chem® .250 ID	
<b>NGG</b>	Flex-A-Prene® .187 ID	<b>GG</b>	Flex-A-Thane® .187 ID	<b>TK</b>	Flex-A-Chem® .375 ID	
<b>NHL</b>	Flex-A-Prene® .250 ID	<b>GH</b>	Flex-A-Thane® .312 ID			
<b>NK</b>	Flex-A-Prene® .375 ID	<b>GK</b>	Flex-A-Thane® .375 ID			
<b>A3</b>	-	<b>S</b>	<b>ND</b>	-	<b>T</b>	<b>Sample Model Number</b>

## Output Specifications

Tube Material / Size	Feed Rate			Max Speed	Max Pressure	Max Temperature
	GPH	LPH	mL/Min	RPM	PSI (bar)	°F (°C)
<b>Flex-A-Thane® Tube</b>						
GE	Up to 4.60	Up to 17.4	Up to 290	125	65 (4.5)	130 (54)
GG	Up to 10.1	Up to 38.4	Up to 637	125	65 (4.5)	130 (54)
G2G	Up to 18.23	Up to 69.0	Up to 1150	125	65 (4.5)	130 (54)
GH	Up to 24.9	Up to 94.2	Up to 1570	125	65 (4.5)	130 (54)
GK	Up to 28.5	Up to 108	Up to 1800	125	65 (4.5)	130 (54)
<b>Flex-A-Prene® Tube</b>						
ND	Up to 2.10	Up to 7.92	Up to 132	125	125 (8.6)	185 (85)
NHL	Up to 17.4	Up to 65.8	Up to 1097	125	65 (4.5)	185 (85)
NK	Up to 33.3	Up to 126	Up to 2100	125	125 (8.6)	185 (85)
NKL	Up to 33.3	Up to 126	Up to 2100	125	30 (2.1)	185 (85)
NEE	Up to 4.76	Up to 18.0	Up to 300	125	110 (7.6)	185 (85)
NGG	Up to 19.0	Up to 72.0	Up to 1200	125	110 (7.6)	185 (85)
<b>Flex-A-Chem® Tube</b>						
TH	Up to 15.1	Up to 57.0	Up to 950	125	50 (3.4)	130 (54)
TK	Up to 28.5	Up to 108	Up to 1800	125	50 (3.4)	130 (54)

## M4 Replacement Parts

<b>1</b>	Spacer	90011-217	2
<b>2</b>	Complete Roller Assembly		1
	NL / NP	A4-MNL-R	
	TH / TK / TTK / THH	A4-MTH-R	
	NH / NK / NHH / NHL / NHHL	A4-MNH-R	
	NKL / NKKL	A4-MNKL-R	
	GH / GK / GKK	A4-MGH-R	
<b>3</b>	Tubing (Reference Tubing Matrix)		1
<b>4</b>	Pump Head Cover	A4-SXX-C	1
<b>5</b>	Thumb Screws	90011-183	8
<b>6</b>	Shaft Extension	90007-128	1



\*Pump Head not for sale. For more information please contact a local sales representative.

Roller Assembly Parts	Part No.	QTY Req'd	
<b>7</b>	A4 ROTOR BODY	76010-042*	1
<b>8</b>	SPIDER RING	76002-038*	1
<b>9</b>	10-32 CAPTIVE SCREW	90011-341*	2
	A4 ROTOR ASSY (7,8, and 9)	A4-SXX-RB	1
<b>10</b>	ARM ROLLER GUIDE	71010-771	2
<b>11</b>	ARM ROLLER		
	NL / NP	71010-766	2
	TH / TK / TKL / THH	71010-767	2
	NH / NK / NHH / NHL / NHHL	71010-768	2
	NKL / NKKL	71010-769	2
	GH / GHH / GK /GKK	71010-770	2

\*Only available as part of Rotor Assy A4-SXX-RB

Quick Disconnect Fittings*	Part No.	QTY Req'd
<b>12</b>	Quick Disconnect Fittings	1
	.50" M/NPT FKM	KIT-QMV
	.50" M/NPT EP	KIT-QME
	.50" M/NPT Aflas	KIT-QMA
	.50" Barb FKM	KIT-QBV
	.50" Barb EP	KIT-QBE
	.50" Barb Aflas	KIT-QBA

\*For use only with "Q" style pump tubes

Miscellaneous Parts*	Part No.	QTY Req'd	
<b>A</b>	Stainless Steel Mounting Bracket	72000-379	1
<b>B</b>	Stainless Steel Mounting Bracket (Extended)	72000-380	1
<b>C</b>	Rubber Feet	90003-561	1

\*Sold Separately



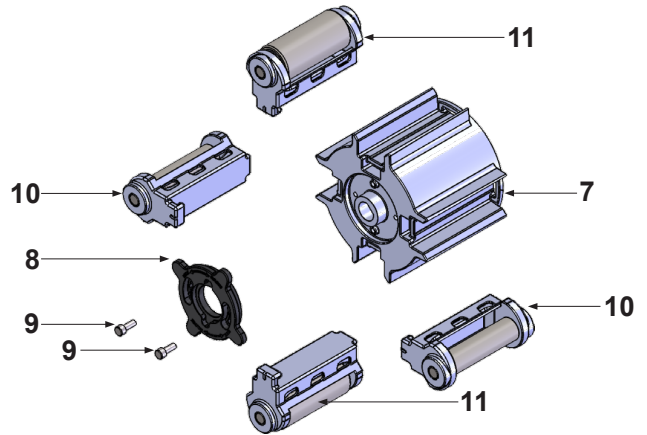
**A**



**B**



**C**



**12**

## FLEXFLO® Model Number

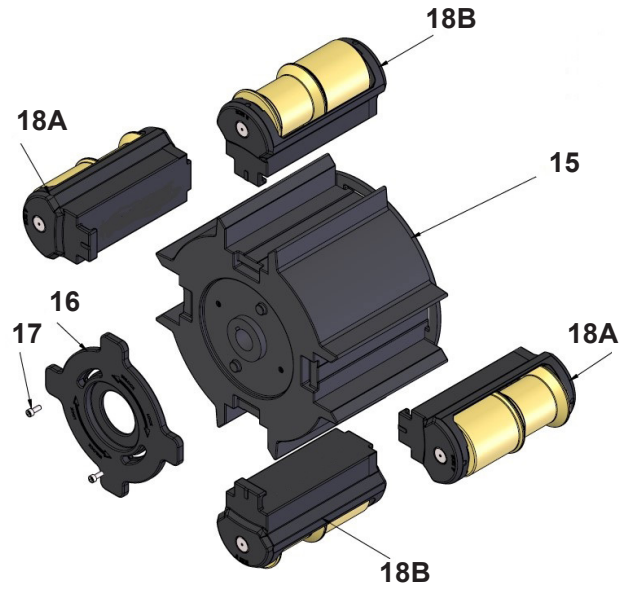
<b>A4</b>	Tubing					
<b>Inlet/Outlet Connection Size, Connection Type, Connection Material</b>						
<b>M</b>	1/2" Male NPT Fitting, Natural PVDF (Kynar)					
<b>B</b>	1/2" ID Tubing Barb Fitting, Natural PVDF (Kynar)					
<b>Q</b>	Quick Disconnect, Natural PVDF (Kynar). NP flow rate reduced 16.5% with Quick Disconnect connections (Valves sold separately)					
<b>C</b>	1/2" - 3/4" Tri-clamp connections, Natural PVDF (Kynar)					
<b>MB</b>	1/2" Male BSPT Fitting, Natural PVDF (Kynar)					
<b>Pump Tube Material, Pump Tube Size</b>						
<b>GH</b>	Flex-A-Thane® .312 ID	<b>NHHL</b>	Flex-A-Prene® .250 ID (Dual Tube)			
<b>GHH</b>	Flex-A-Thane® .312 ID (Dual Tube)	<b>NK</b>	Flex-A-Prene® .375 ID			
<b>GK</b>	Flex-A-Thane® .375 ID	<b>NL</b>	Flex-A-Prene® .500 ID			
<b>GKK</b>	Flex-A-Thane® .375 ID (Dual Tube)	<b>NP</b>	Flex-A-Prene® .750 ID			
<b>NH</b>	Flex-A-Prene® .250 ID	<b>TH</b>	Flex-A-Chem® .250 ID			
<b>NHL</b>	Flex-A-Prene® .250 ID	<b>TK</b>	Flex-A-Chem® .375 ID			
<b>NHH</b>	Flex-A-Prene® .250 ID (Dual Tube)	<b>TKK</b>	Flex-A-Chem® .375 ID (Dual Tube)			
<b>A4</b>	-	<b>M</b>	<b>NH</b>	-	<b>T</b>	<b>Tube Sample Model Number</b>

## Output Specifications

Tube Material / Size	Feed Rate			Max Speed	Max Pressure	Max Temperature
	GPH	LPH	mL/Min	RPM	PSI (bar)	°F (°C)
<b>Flex-A-Thane® Tube</b>						
GH	Up to 39.6	Up to 150	Up to 2500	125	65 (4.5)	130 (54)
GHH	Up to 71.0	Up to 268	Up to 4479	125	65 (4.5)	130 (54)
GK	Up to 55.5	Up to 210	Up to 3500	125	65 (4.5)	130 (54)
GKK	Up to 100	Up to 378	Up to 6300	125	65 (4.5)	130 (54)
<b>Flex-A-Prene® Tube</b>						
NH	Up to 28.5	Up to 108	Up to 1800	125	125 (8.6)	185 (85)
NHL	Up to 28.5	Up to 108	Up to 1800	125	65 (4.5)	185 (85)
NHH	Up to 54.0	Up to 204	Up to 3400	125	100 (6.9)	185 (85)
NHHL	Up to 54.0	Up to 204	Up to 3400	125	65 (4.5)	185 (85)
NK	Up to 50.7	Up to 192	Up to 3200	125	80 (5.5)	185 (85)
NL	Up to 100	Up to 378	Up to 6300	125	50 (3.4)	185 (85)
NP	Up to 158.5	Up to 600	Up to 10000	125	30 (2.1)	185 (85)
<b>Flex-A-Chem® Tube</b>						
TH	Up to 25.4	Up to 96	Up to 1603	125	30 (2.1)	130 (54)
TK	Up to 54.0	Up to 204	Up to 3400	125	30 (2.1)	130 (54)
TKK	Up to 126	Up to 477	Up to 8000	125	30 (2.1)	130 (54)

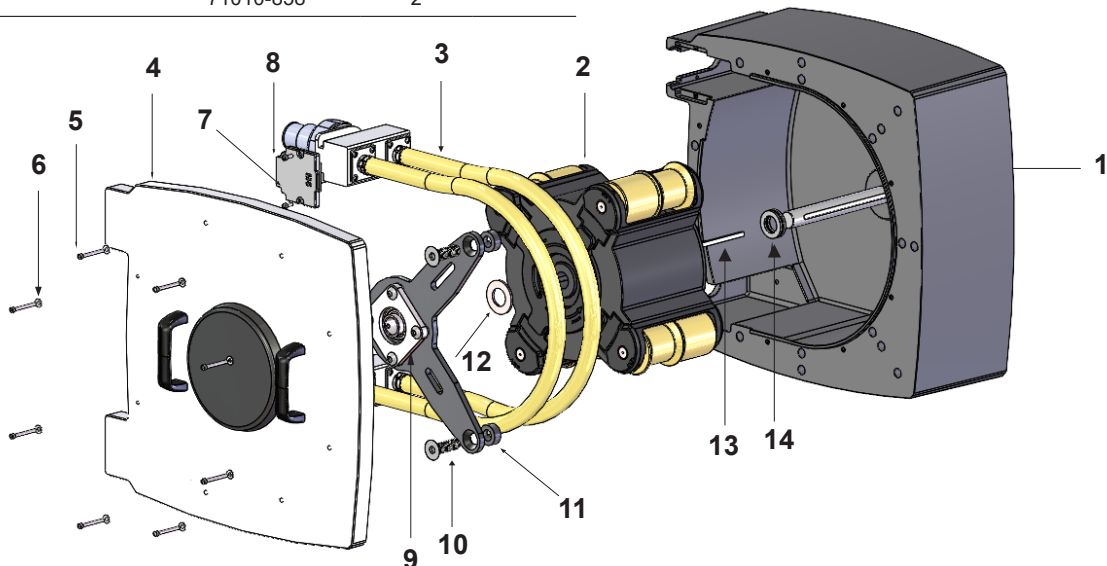
## M5 Replacement Parts

Pump Head Components		Part No.	QTY Req'd	Price Per
<b>1</b>	Pump Head	Contact Factory	1	N/A
<b>2</b>	Complete Roller Assembly		1	
	NPP	A5-MNPP-R		
	NLL	A5-MNLL-R		
	NHHL	A5-MNHHL-R		
	GKK	A5-MGKK-R		
<b>3</b>	Tubing (Reference Tubing Matrix)		1	
<b>4</b>	Pump Head Cover	A5-SXX-C	1	
<b>5</b>	Screw, Cover	90011-149	8	
<b>6</b>	Washer, Cover	90011-094	8	
<b>7</b>	Tube Adapter Cover	76002-102	2	
<b>8</b>	Screw	90011-150	2	
<b>9</b>	"V" Bracket Bearing Assy	71010-947	1	
<b>10</b>	Screw, "V" Bracket	90011-303	2	
<b>11</b>	Spacer, "V" Bracket	90007-686	2	
<b>12</b>	Washer	90011-320	1	
<b>13</b>	Key Motor	76010-101	1	
<b>14</b>	Washer	90004-027	1	



**Roller Body Assembly**

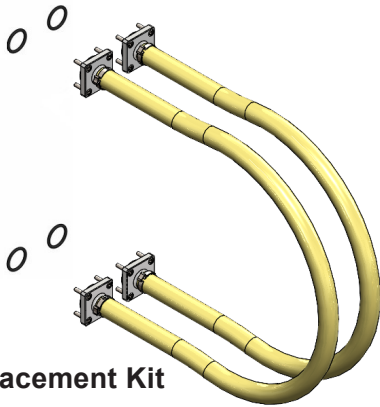
Roller Assembly Parts		Part No.	QTY Req'd	Price Per
<b>15</b>	A5 ROTOR BODY	76010-061	1	
<b>16</b>	SPIDER RING	76002-077	1	
<b>17</b>	SPIDER SCREW	90011-341	2	
<b>18</b>	ARM ROLLER			
	NPP Side A	71010-853	2	
	NPP Side B	71010-854	2	
	NLL Side A	71010-859	2	
	NLL Side B	71010-860	2	
	NHHL Side A	71010-855	2	
	NHHL Side B	71010-856	2	
	GKK Side A	71010-857	2	
	GKK Side B	71010-858	2	



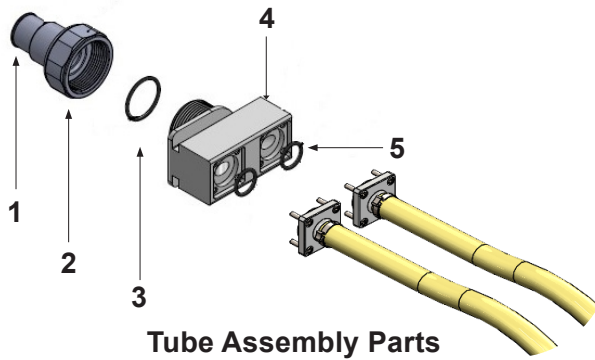
**Pump Head Detail**

## FLEXFLO® Model Number

<b>A5</b>	Tubing						
<b>Inlet/Outlet Connection Size, Connection Type, Connection Material</b>							
<b>M</b>	1.5" Male NPT Fitting, Polypropylene						
<b>B</b>	1.5" ID Tubing Barb Fitting, Polypropylene						
<b>Pump Tube Material, Pump Tube Size</b>							
<b>NPP</b>	Flex-A-Prene® .750 ID (Dual Tube)						
<b>NLL</b>	Flex-A-Prene® .500 ID (Dual Tube)						
<b>NHHL</b>	Flex-A-Prene® .250 ID (Dual Tube)						
<b>GKK</b>	Flex-A-Thane® .375 ID (Dual Tube)						
<b>O-Ring Options</b>							
<b>V</b>	Aflas						
<b>E</b>	EPDM						
<b>A5</b>	<b>-</b>	<b>M</b>	<b>NPP</b>	<b>-</b>	<b>T</b>	<b>V</b>	<b>Tube Sample Model Number (Complete tube assembly with tubes, adapter body, and fittings.)</b>



Tube Replacement Kit



Tube Assembly Parts

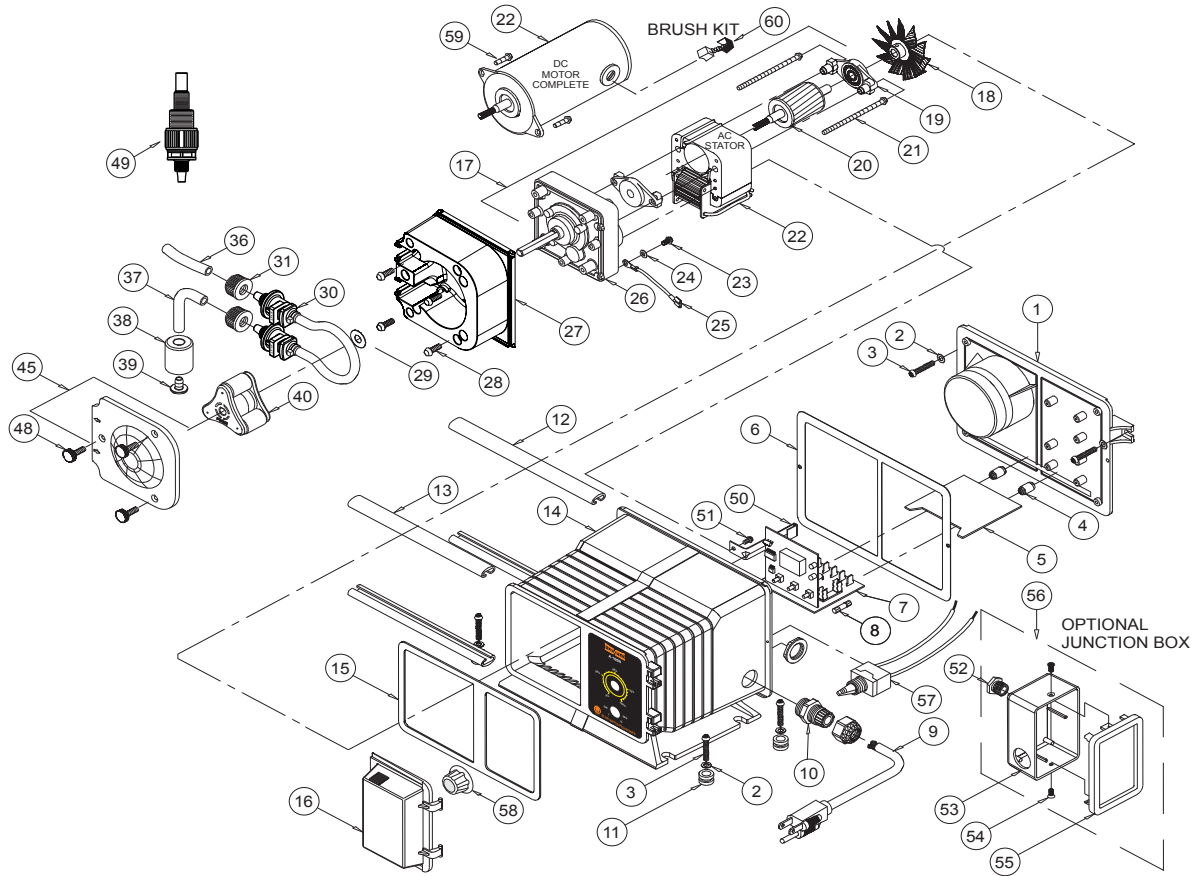
### Tube Replacement Kits (includes 2 assembled tubes with clamps and barbs, O-rings, and screws.)

A5-XNPP-TV	NPP Tubes, Aflas O-Rings
A5-XNPP-TE	NPP Tubes, EP O-Rings
A5-XNLL-TV	NLL Tubes, Aflas O-Rings
A5-XNLL-TE	NLL Tubes, EP O-Rings
A5-XNHHL-TV	NHHL Tubes, Aflas O-Rings
A5-XNHHL-TE	NHHL Tubes, EP O-Rings
A5-XGKK-TV	GKK Tubes, Aflas O-Rings
A5-XGKK-TE	GKK Tubes, EP O-Rings

### Tube Assembly Parts

<b>1</b>	76010-064	1.5" M/NPT Fitting (2 req.)
	76010-065	1.5" Barb Fitting (2 req.)
<b>2</b>	76010-066	5 Series Union Nut (2 req.)
<b>3</b>	90003-640	O-Ring, Aflas (2 req.)
	90003-641	O-Ring, EP (2 req.)
<b>4</b>	76010-067	Adapter Body (2 req.)
<b>5</b>	90003-642	O-Ring, Aflas (4 req.)
	90003-645	O-Ring, EP (4 req.)

## A-100N Replacement Parts



Item	Part No.	Product Name	Qty. Req.
<b>1</b>	71000-214	Enclosure Back With Gasket,	1
<b>2</b>	90011-094	Washer, #10 Stainless	2
<b>3</b>	90011-091	Screw, #10 X 1.0" Phillips Steel	4
<b>6</b>	90006-580	Gasket, Back Plate, Neoprene	1
<b>7</b>	A-023N-B	Percent timer (60 Sec), A-100NA	1
	A-023N-H	Percent timer (5 Sec), A-100NC	1
	C-1817N-1	Speed Cntrl, A-100NF, 115V60	1
	C-1817N-4	Speed Cntrl, A-100NF, 220V50	1
	C-1817N-5	Speed Cntrl, A-100NF, 230V60	1
<b>N/S</b>	90010-036	Wire Nut, Blue	4
<b>N/S</b>	90010-037	Wire Nut, Orange	1
<b>N/S</b>	76001-030	Lead Wire, Blu/white, 115v	1
<b>N/S</b>	76001-031	Lead Wire, Red/white, 230v	1
<b>N/S</b>	76001-032	Lead Wire, Brn/white, 220v	1
<b>N/S</b>	76001-033	Lead Wire, Yellow, 220v	1
<b>N/S</b>	76001-034	Lead Wire, Black, 115v	1

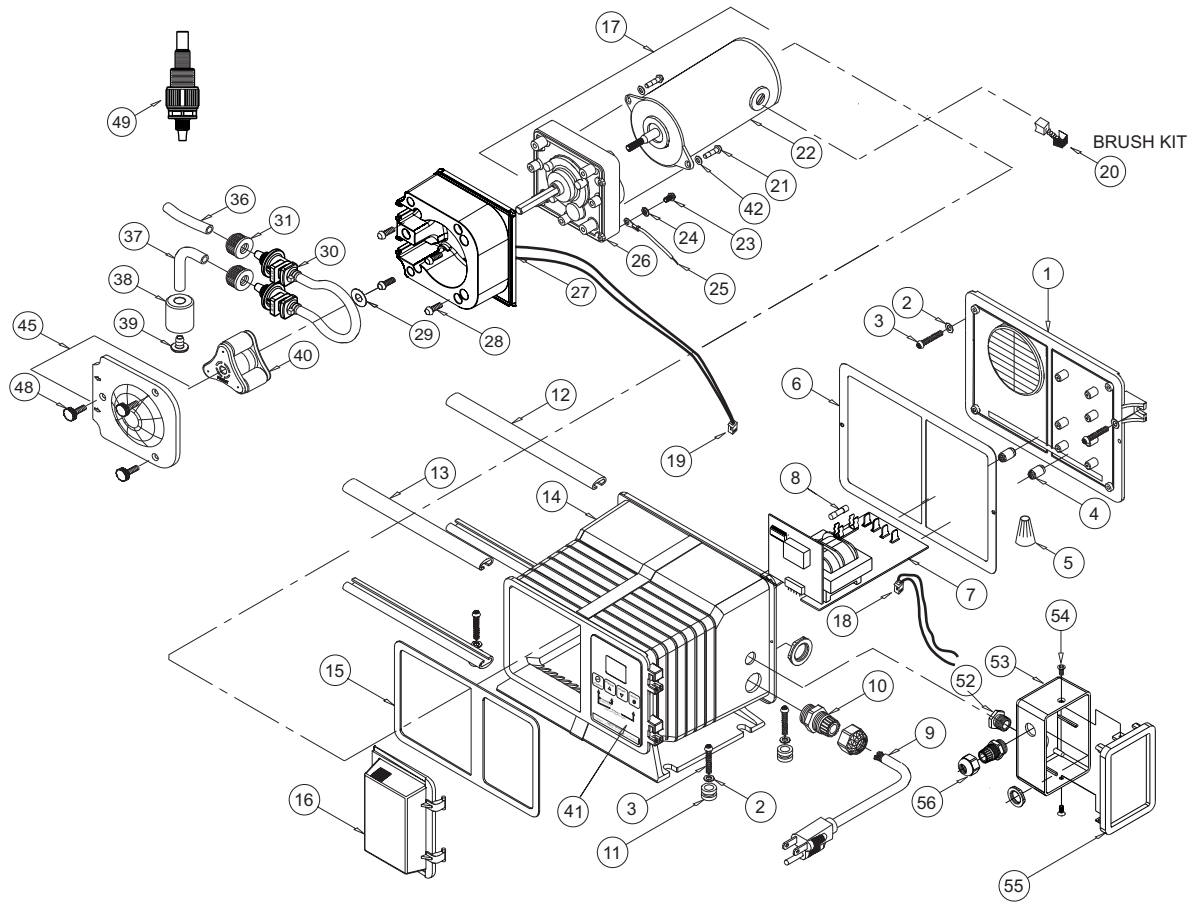
Item	Part No.	Product Name	Qty. Req.
<b>9</b>	90010-110	Power Cord, 115v60hz,	1
	90010-196	Power Cord, 220v50hz,	1
	90010-133	Power Cord, 230v60hz,	1
<b>10</b>	A-033N	Cord Inlet Bushing	1
<b>11</b>	90003-559	Mounting Feet, Rubber	4
<b>12</b>	76001-000	Slide Clamp, Enclosure Rear	1
<b>13</b>	76000-999	Slide Clamp, Enclosure Front	1
<b>14</b>	71000-187	Enclosure Model C,F w/cord	1
	71000-188	Enclosure Model X w/cord	1
	71000-494	Enclosure Model V w/J-Box	1
<b>15</b>	90006-579	Gasket, Enclosure Front, Neoprene	1
<b>16</b>	90002-191	Door, Electronic Controls Cover	1
<b>17</b>	70002-146	Gearmotor, 14 Rpm, 115v60hz	1
	70002-147	Gearmotor, 30 Rpm, 115v60hz	1

## A-100N Replacement Parts

Item	Part No.	Product Name	Qty. Req.
	70002-156	Gearmotor, 45 Rpm, 115v60hz	1
	70002-159	Gearmotor, 60 Rpm, 115v60hz	1
	70002-148	Gearmotor, 14 Rpm, 220v50hz	1
	70002-149	Gearmotor, 30 Rpm, 220v50hz	1
	70002-157	Gearmotor, 45 Rpm, 220v50hz	1
	70002-160	Gearmotor, 60 Rpm, 220v50hz	1
	70002-150	Gearmotor, 14 Rpm, 230v60hz	1
	70002-151	Gearmotor, 30 Rpm, 230v60hz	1
	70002-158	Gearmotor, 45 Rpm, 230v60hz	1
	70002-161	Gearmotor, 60 Rpm, 230v60hz	1
	70002-241	G/motor, V/S 14Rpm, 90VDC	1
	70002-242	G/motor, V/S 30Rpm, 90VDC	1
	70002-243	G/motor, V/S 45Rpm, 90VDC	1
	70002-244	G/motor, V/S 60Rpm, 90VDC	1
<b>18</b>	90006-581	Fan, Motor, 2.25" Diameter	1
<b>19</b>	C-612PB	Bearing Bracket With Bearing	2
<b>20</b>	C-616PN	Rotor 14, 30RPM With Spacers	1
	C-616PN-32	Rotor 45, 60RPM With Spacers	1
<b>21</b>	C-625	Screw, Motor, 14, 30RPM Phil	2
	C-621-32	Screw, Motor, 45, 60RPM Phil	2
<b>22</b>	71000-211	Stator 14/30RPM, 115v Blu/Yel	1
	71000-213	Stator 14/30RPM, 220v Brnt/yel	1
	71000-212	Stator 14/30RPM, 230v Red/Yel	1
	71000-466	Stator 45/60RPM, 115v Blut/Yel	1
	71000-467	Stator 45/60RPM, 220v Brn/yel	1
	71000-468	Stator 45/60RPM, 230v Red/Yel	1
	90010-242	Motor, 90V DC, model "F"	1
<b>24</b>	90011-078	Washer, Ground Screw, #8 Star	1
<b>25</b>	90010-126	Wire, ground, Green	1
<b>26</b>	A-008-1	Gearbox, 14 Rpm	1
	A-008-2	Gearbox, 30 Rpm	1
	A-008-3	Gearbox, 45 Rpm	1
	A-008-4	Gearbox, 60 Rpm	1
<b>27</b>	76001-009	Pumphead, no TFD sensors	1
	71000-488	Pumphead, w/TFD sensors	1

Item	Part No.	Product Name	Qty. Req.
<b>28</b>	C-324N Screw	P/head, 10-32 X .50	4
<b>29</b>	A-031	Spacer, Rotor	1
<b>30</b>	A1-4T	Tube, A-100N S/A -4T Norprene	1
	A1-6T	Tube, A-100N S/A -6T Norprene	1
	A1-7T	Tube, A-100N S/A -7T Norprene	1
	A1-8T	Tube, A-100N S/A -8T Norp-Chem	1
	A1-1T	Tube, A-100N S/A -1T Tygothane	1
	A1-2T	Tube, A-100N S/A -2T Tygothane	1
	A1-3T	Tube, A-100N S/A -3T Tygothane	1
<b>31</b>	C-330-6	Nut, Tube, .37 O.D. Tubing	1
<b>36</b>	C-335-6	Tubing, Outlet, .37 O.D.X5ft, Poly	1
<b>37</b>	C-334-6	Tubing, Inlet, .37 O.D.X5ft, Pvc	1
<b>38</b>	C-346	Weight, Inlet Tubing, Ceramic	1
<b>39</b>	C-342-6	Strainer, Inlet Tube, Polypro	1
<b>40</b>	71000-159	Roller, -4, -6 tubes (white rollers)	1
	71000-255	Roller, -5 Viton tube	1
	71000-350	Roller, -1, -2, -3, -7 tubes (black rollers)	1
<b>45</b>	A1-SXX-C	Cover, P/head With Bearing	1
<b>48</b>	90011-160	Screw, P/head Cover, 8-32 X .62	3
<b>49</b>	A-014N-6A	Inj Valve, .5-.25 Mpt X .37 O.D.	1
<b>50</b>	90006-583	Motor Clip, 14, 30RPM	1
	90006-601	Motor Clip, 45, 60RPM	1
<b>51</b>	90011-146	Screw, Motor Clip, 8-32 X .25	1
<b>52</b>	90007-515	Bushing, J-Box Connector, Alum.	1
<b>53</b>	76001-029	Junction Box, Valox	1
<b>54</b>	90011-129	Screw, 6-32 X .25 S Black	2
<b>55</b>	71000-133	Cover, J-Box w/Gasket & Label	1
<b>56</b>	70000-656	J-Box Assembly, Complete	1
<b>N/S</b>	90008-151	J-box Hole Plug .75 Dia Blk	1
<b>57</b>	A-022	Power Switch	1
<b>N/S</b>	A-030	Push button prime switch	1
<b>58</b>	A-032N	Knob, adjustment	1
<b>59</b>	90011-023	Screw, Motor, 8-32 x .50 Phill	2
<b>60</b>	C-1814N-2	Motor brush set, 90VDC motor	1

# A-100NV Replacement Parts





## A-100NV Replacement Parts

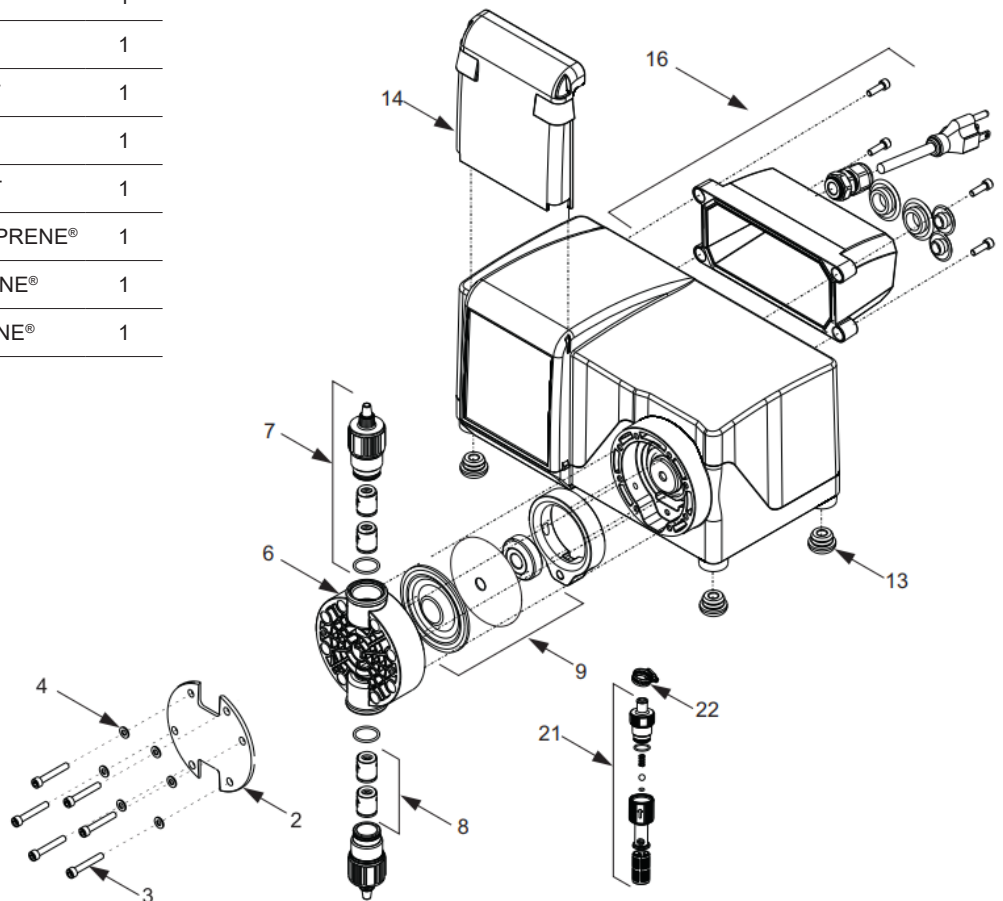
Item	Part No.	Product Name	Qty. Req.
1	71000-489	Enclosure Back Plate With Gasket, Valox	1
2	90011-094	Washer, Mounting, #10 Stainless	2
3	90011-091	Mounting Screw, #10 X 1.0" Phillips Steel	4
4	76001-001	Tubing Spacer A-100N digital	2
5	90010-036	Wire Nut, Blue	1
6	90006-580	Gasket, Enclosure Back Plate	1
7	A-023N-V-115	Circuit board A-100NV 115V	1
	A-023N-V-230	Circuit board A-100NV 220V/230V	1
8	90010-235	Fuse, A-100NV Circuit Board, 1A 250VAC	1
9	71000-175	Power Cord, 115v60hz, Digital Models	1
	71000-176	Power Cord, 220v50hz, Digital Models	1
	71000-177	Power Cord, 230v60hz, Digital Models	1
10	70000-589	Cord Inlet Bushing	1
11	90003-559	Mounting Feet, Rubber	4
12	76001-000	Slide Clamp, Enclosure Rear	1
13	76000-999	Slide Clamp, Enclosure Front	1
14	76001-253	Enclosure A-100NV	1
15	90006-579	Gasket, Enclosure Front	1
16	90002-191	Door, Electronic Controls Cover	1
17	70002-250	Gearmotor, 14 Rpm, 24V DC	1
	70002-251	Gearmotor, 30 Rpm, 24V DC	1
	70002-252	Gearmotor, 45 Rpm, 24V DC	1
	70002-253	Gearmotor, 60 Rpm, 24V DC	1
	70002-254	Gearmotor, 125 Rpm, 24V DC	1
18	90010-246	Wire set w/plug, Alarm relay	1
19	90010-245	Wire set w/plug, TFD sensor	1
N/S	90010-247	Wire set w/plug, input signals	1
20	C-1814N-4	Motor Brush kit (2 ea), 24V DC	1
21	90011-023	Screw, Motor, 8-32 x .50	2
22	90010-244	Motor, 24V DC	1
23	90011-024	Screw, Green Ground, 8-32 x .25	1
24	90011-078	Washer, Ground Screw, #8 Star	1
25	90010-222	Wire, Motor ground, Digital Timers, Green	1

Item	Part No.	Product Name	Qty. Req.
26	A-008-1	Gearbox, 14 Rpm	1
	A-008-2	Gearbox, 30 Rpm	1
	A-008-3	Gearbox, 45 Rpm	1
	A-008-4	Gearbox, 60 Rpm	1
	A-008-5	Gearbox, 125 Rpm	1
27	71000-488	Pumphead, A-100N w/TFD sensors	1
28	C-324N	Screw, Pumphead, 10-32 X .50 Phil Pan Black	4
29	A-031	Spacer, Rotor	1
30	A1-4T	Tube, A-100N S/A -4T Flex-A-Prene®	1
	A1-6T	Tube, A-100N S/A -6T Flex-A-Prene®	1
	A1-7T	Tube, A-100N S/A -7T Flex-A-Prene®	1
	A1-8T	Tube, A-100N S/A -8T Flex-A-Chem®	1
	A1-1T	Tube, A-100N S/A -1T Flex-A-Thane®	1
	A1-2T	Tube, A-100N S/A -2T Flex-A-Thane®	1
	A1-3T	Tube, A-100N S/A -3T Flex-A-Thane®	1
31	C-330-6	Nut, Tube Compression Type, .37 O.D. Tubing	2
36	C-335-6	Tubing, Outlet, .37 O.D. X 5ft, Polyethylene	1
37	C-334-6	Tubing, Inlet, .37 O.D. X 5ft, Clear PVC	1
38	C-346	Weight, Inlet Tubing, Ceramic	1
39	C-342-6	Strainer, Inlet Tube, Polypropylene	1
40	71000-159	Roller Assembly -4, -6 tubes	1
	71000-350	Roller Assembly -1, -2, -3, -7 tubes	1
41	90012-245	Label, A-100NV front panel controls	1
42	90011-074	Washer, #8 splitlock	2
45	A1-SXX-C	Cover, Pumphead With Sleeve Bearing	1
48	90011-160	Screw, Pumphead Cover, 8-32 X .62 Cap	3
49	A-014N-6A	InjValve Assy, .5-.25 MPT X .37 OD Tube	1
52	90007-515	Bushing, Junction Box Connector, Alum.	1
53	76001-254	Junction Box A-100NV	1
54	90011-129	Screw, Cover, 6-32 X .25 Phil Pan SS Black	2
55	71000-133	Cover, Junction Box with Gasket and Label	1
56	90008-199	Connector Liquid-tight	1

## C2 Replacement Parts

Item	Model No.	Product Name	Qty. Req.
<b>2</b>	70004-541	COVER P/H C2	1
<b>3</b>	90011-149	SCREW	8
<b>4</b>	90011-094	Washer	8
<b>6</b>	90002-273	P/HEAD SM C2 PVDF	1
	90002-272	P/HEAD LG C2 PVDF	1
	71010-446	P/HEAD MICRO PVDF	1
<b>7</b>	70001-349	VALVE .5 M/NPT VIT	2
	70001-350	VALVE .5 M/NPT EP	2
	70001-351	VALVE .5 F/NPT VIT	2
	70001-352	VALVE .5 F/NPT EP	2
	70001-347	VALVE .5 T-BARB VIT	2
	70001-348	VALVE .5 T-BARB EP	2
	70001-372	VALVE .375 TUBE VIT	2
	70001-373	VALVE .375 TUBE EP	2
<b>8</b>	20000-194	KIT 4 EA. VALVE VIT	1
	20000-195	KIT 4 EA. VALVE EP	1
<b>9</b>	72000-551	MICRO DIAPHRAGM KIT	1
	72000-296	SMALL DIAPHRAGM KIT	1
	72000-297	LARGE DIAPHRAGM KIT	1
	72000-606	MICRO DIA KIT FLEX-A-PRENE®	1
	72000-607	SM DIA KIT FLEX-A-PRENE®	1
	72000-605	LG DIA KIT FLEX-A-PRENE®	1

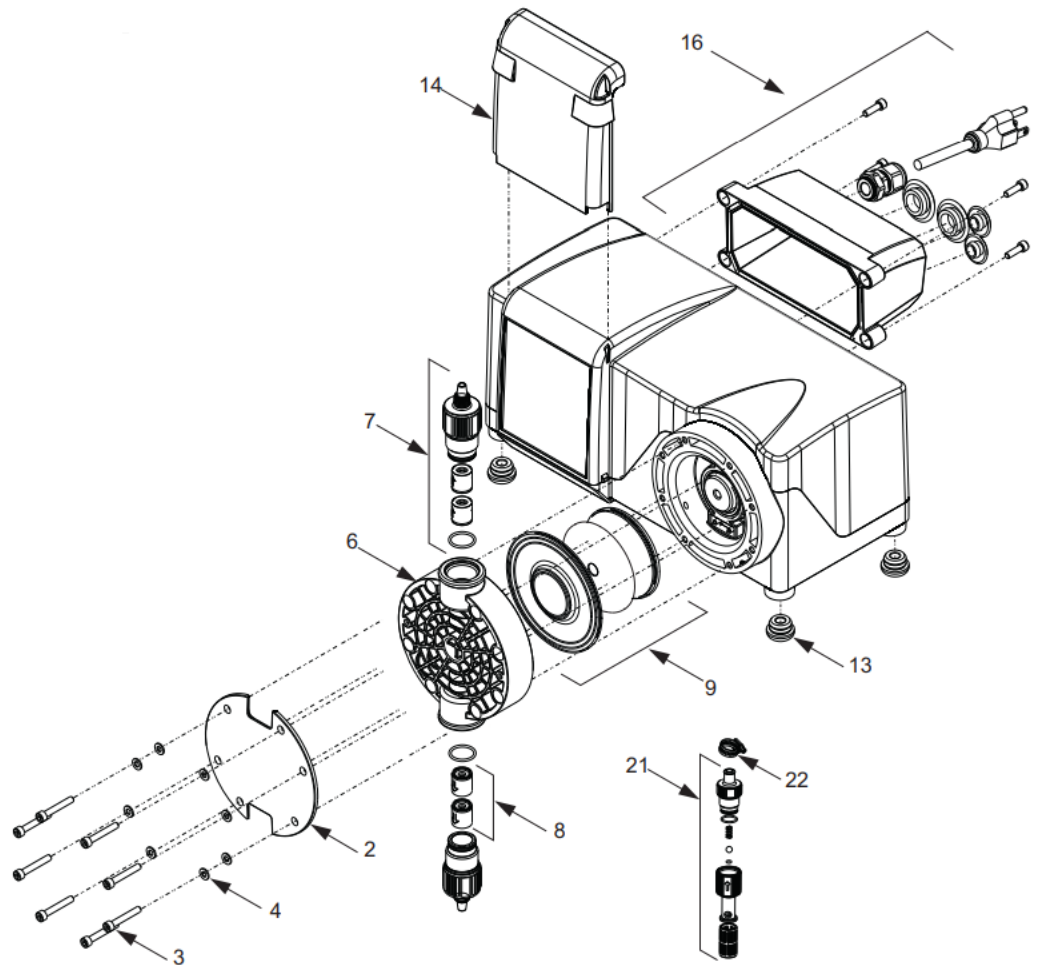
Item	Model No.	Product Name	Qty. Req.
<b>11</b>	90001-173	P/HEAD LG. SPACER	1
	90001-172	P/HEAD SM. SPACER	1
<b>13</b>	90003-561	BUMPER FEET	4
<b>14</b>	90002-326	UV LCD CVR PLYCRB	1
<b>16</b>	71010-027	J-BOX KIT W/ 115V	1
	71010-028	J-BOX KIT W/ 230V	1
	71010-029	J-BOX KIT W/ 220V	1
<b>21</b>	See Accessory Page for Foot Valve Options		
<b>22</b>	90008-043	CLAMP SS .5"	1
<b>N/A</b>	72000-378	BRUSH KIT MC2/MC3 90VDC MOTOR	1



## C3 Replacement Parts

Item	Model No.	Product Name	Qty. Req.
<b>2</b>	70004-540	COVER P/H C3	1
<b>3</b>	90011-149	SCREW	8
<b>4</b>	90011-094	WASHER #10 P/H SS	8
<b>6</b>	90002-258	P/HEAD LG C3 PVDF	1
<b>7</b>	70001-349	VALVE .5 M/NPT VIT	2
	70001-350	VALVE .5 M/NPT EP	2
	70001-351	VALVE .5 F/NPT VIT	2
	70001-352	VALVE .5 F/NPT EP	2
	70001-347	VALVE .5 T-BARB VIT	2
	70001-348	VALVE .5 T-BARB EP	2
<b>8</b>	20000-194	KIT 4 EA. VALVE VIT	1
	20000-195	KIT 4 EA. VALVE EP	1
<b>9</b>	72000-295	DIAPHRAGM KIT C3	1
	72000-604	DIAPHRAGM KIT FLEX-A-PRENE®	1

Item	Model No.	Product Name	Qty. Req.
<b>13</b>	90003-561	BUMPER FEET	4
<b>14</b>	90002-326	UV LCD CVR PLYCRB	1
<b>16</b>	71010-027	J-BOX KIT W/ 115V	1
	71010-028	J-BOX KIT W/ 220V	1
	71010-029	J-BOX KIT W/ 220V	1
<b>21</b>	See Accessory page for Foot Valve Options		
<b>22</b>	90008-043	CLAMP SS .5"	1
<b>23</b>	76001-361	TUBE SUCTION .5 D, 8' L	1
<b>24</b>	71000-579	INJECTION .5 BARB	1
	71000-577	INJECTION .5 M/NPT	1
<b>N/A</b>	72000-378	Brush Kit MC2/MC3 90VDC Motor	1



## MD1 Replacement Parts

Item	Part No.	Product Name	Qty. Req.
<b>1</b>	90011-150	Screw 10-32 x .50 SOC Cap SS	4
<b>3</b>	90006-600	Back-Up Washer HD .100" Thick	2
<b>4</b>	71010-730	Manifold, PVDF	2
<b>5</b>	90002-707	Adapter Cart	4
<b>6</b>	70004-539	P/Head Cover CHEM-FEED®	2
<b>7</b>		Adapters	2
<b>8</b>	90002-712	Nut, Union, PVDF	2
<b>10</b>	90018-087	Standoff Threaded	2
<b>11</b>	71010-837	Cover, Front	1

Item	Part No.	Product Name	Qty. Req.
<b>12</b>	71010-926	Cartridge Bullet, PVDF, Aflas O-rings	6
	71010-928	Cartridge Bullet, PVDF, EP O-rings	6
<b>13</b>	71010-944	Cartridge Bullet De-Gas, PVDF, Aflas	1
	71010-945	Cartridge Bullet De-Gas, PVDF, EP	1
<b>14</b>	90003-581	O-Ring, Aflas	6
	90003-633	O-Ring, EP	6
<b>15</b>	90003-014	O-Ring, Aflas	4
	90003-600	O-Ring, EP	4
<b>16</b>	KIT-CDV**	Diaphragm PVDF	1
	KIT-CDE**	Diaphragm Flex-A-Prene®	1
<b>17</b>	70004-096	Pump/HD HDN LG PVDF V Stamp	2
	70004-097	Pump/HD HDN LG PVDF E Stamp	2
<b>21</b>	90011-141	Screw 10-32 X 1.25 Pan Phil SS	8
<b>N/S</b>	C-330-6	Tube Nut, 1/4" x 3/8"	2
<b>N/S</b>	KIT-DVA1*	Cart. Valve Kit, De-Gas, Aflas	1
	KIT-DVE1*	Cart. Valve Kit, De-Gas, EP	1
	KIT-DKA1*	Cart. Valve Kit, De-Gas w/ standoffs, Aflas	1
	KIT-DKE1*	Cart. Valve Kit, De-Gas w/ standoffs, EP	1

\* Includes Qty 6 Cart. Bullet and Qty 1 De-Gas Cart.

\*\* Includes Qty 2 Diaphragms and Qty 2 Backing pieces

### ELBOW & STRAIGHT ADAPTER KITS

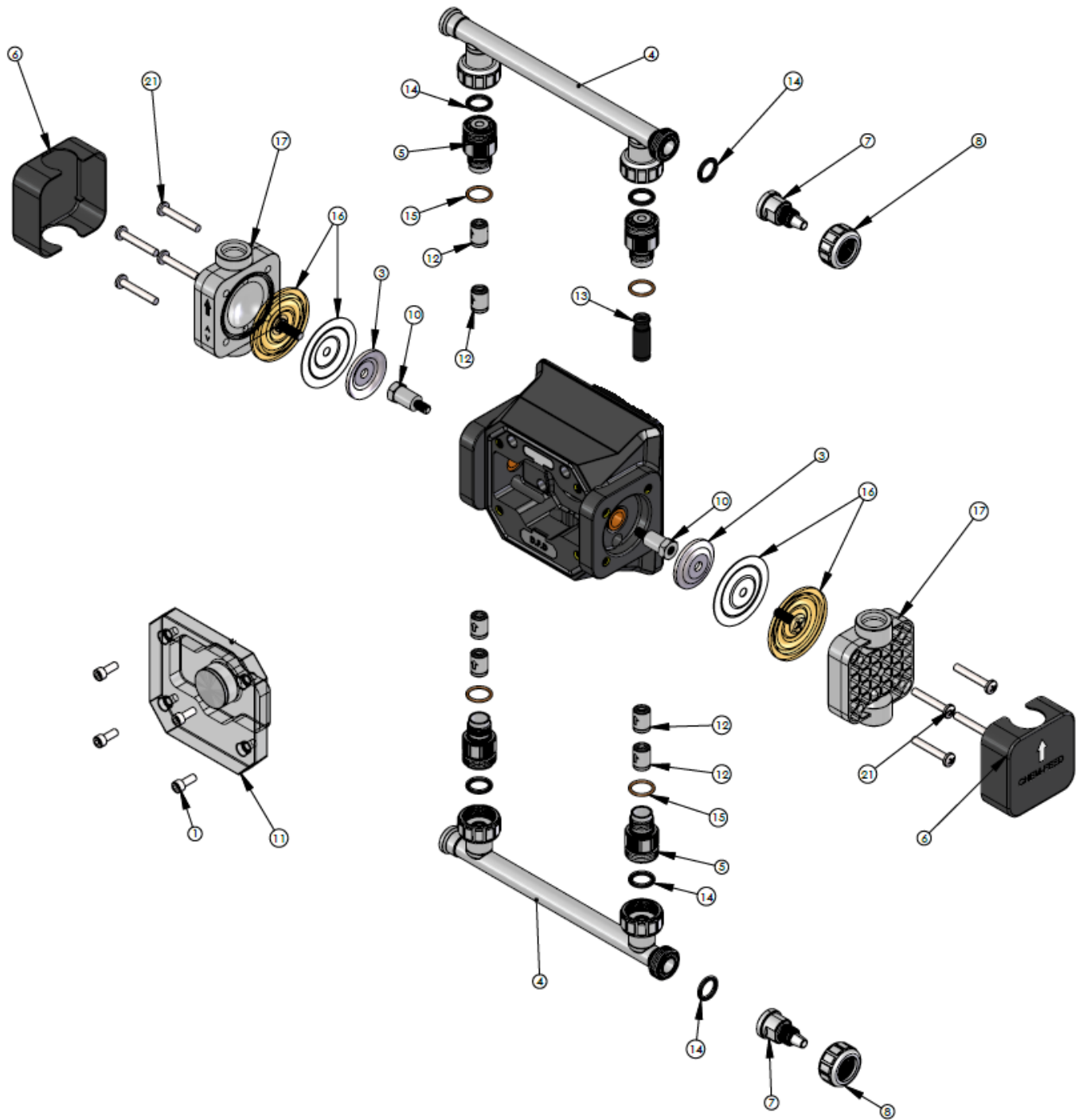
Kits include:

- (2) #7 adapters
- (2) #8 Union Nuts
- (2) #14 O-rings



- KIT-CA1SE Elbow Adapter Kit, 1/4" x 3/8" tubing comp., Aflas O-rings
- KIT-CE1SE Elbow Adapter Kit, 1/4" x 3/8" tubing comp., EP O-rings
- KIT-CA1ME Elbow Adapter Kit, 1/2" M/NPT fitting, Aflas O-rings
- KIT-CE1ME Elbow Adapter Kit, 1/2" M/NPT fitting, EP O-rings
- KIT-CA1BE Elbow Adapter Kit, 1/2" Hose Barb, Aflas O-rings
- KIT-CE1BE Elbow Adapter Kit, 1/2" Hose Barb, EP O-rings
- KIT-CA1S Straight Adapter Kit, 1/4" x 3/8" tubing comp., Aflas O-rings
- KIT-CE1S Straight Adapter Kit, 1/4" x 3/8" tubing comp., EP O-rings
- KIT-CA1M Straight Adapter Kit, 1/2" M/NPT fitting, Aflas O-rings
- KIT-CE1M Straight Adapter Kit, 1/2" M/NPT fitting, EP O-rings
- KIT-CA1B Straight Adapter Kit, 1/2" Hose Barb, Aflas O-rings
- KIT-CE1B Straight Adapter Kit, 1/2" Hose Barb, EP O-rings

## MD1 Replacement Parts



## MD3 Replacement Parts

Item	Model No.	Product Name	Qty. Req.
<b>1</b>	91001-301	NUT UNION CD3 MOLDED PVDF	6
<b>2</b>	91001-295	.50" BARB ADAPTER	2
	91001-296	.50" BARB ADAPTER ELBOW	2
	91001-288	.50" M/NPT ADAPTER ELBOW	2
	91001-287	.50" M/NPT ADAPTER	2
<b>3</b>	90003-577	O-RING 2-119 (AFLAS 75)	6
	90003-627	O-RING 2-119 (EP)	6
<b>4</b>	70001-504	MANIFOLD S/A PVDF (Aflas)	2
	70001-505	MANIFOLD S/A PVDF (EP)	2
<b>6</b>	90002-350	DRIVE HEAD INSERT	2
<b>7</b>	72000-583	KIT DIAPHRAGM DIAFLEX® MD-3	2
	72000-601	KIT DIAPHRAGM FLEX-A-PRENE® MD3	2
<b>8</b>	70001-500	CARTRIDGE VALVE KIT (TFE/P)	4
	70001-501	CARTRIDGE VALVE KIT (EP)	4
<b>9</b>	90002-272	PUMP HEAD	2
<b>10</b>	70004-541	PUMP HEAD FACE PLATE	2

Item	Model No.	Product Name	Qty. Req.
<b>11</b>	90011-094	WASHER #10	16
<b>13</b>	90003-141	O-RING 2-018 (TFE/P)	4
	90003-610	O-RING 2-018 (EP)	4
<b>14</b>	90002-353	ADAPTER CART CD3	4
<b>15</b>	90008-651	MOUNTING BRACKET	2
<b>16</b>	90011-210	Screw 10-32 x 2.0 SOC HD	1
<b>17</b>	20000-226	Kit (8) Ball Check Cart., Aflas	1
	20000-227	Kit (8) Ball Check Cart., EP	1
	20000-229	Kit (4) Ball Check Cart., Aflas, PTFE Balls	2

### Foot Valves, Injection Valves, and Spares Kits (Not Shown)

**71000-575** Foot Valve, 1/2" Barb, PVDF Body, FKM O-ring  
**71000-576** Foot Valve, 1/2" Barb, PVDF Body, EP O-ring  
**71000-849** Foot Valve, 1/2" MNPT, PVDF Body, FKM O-ring  
**71000-850** Foot Valve, 1/2" MNPT, PVDF Body, EP O-ring

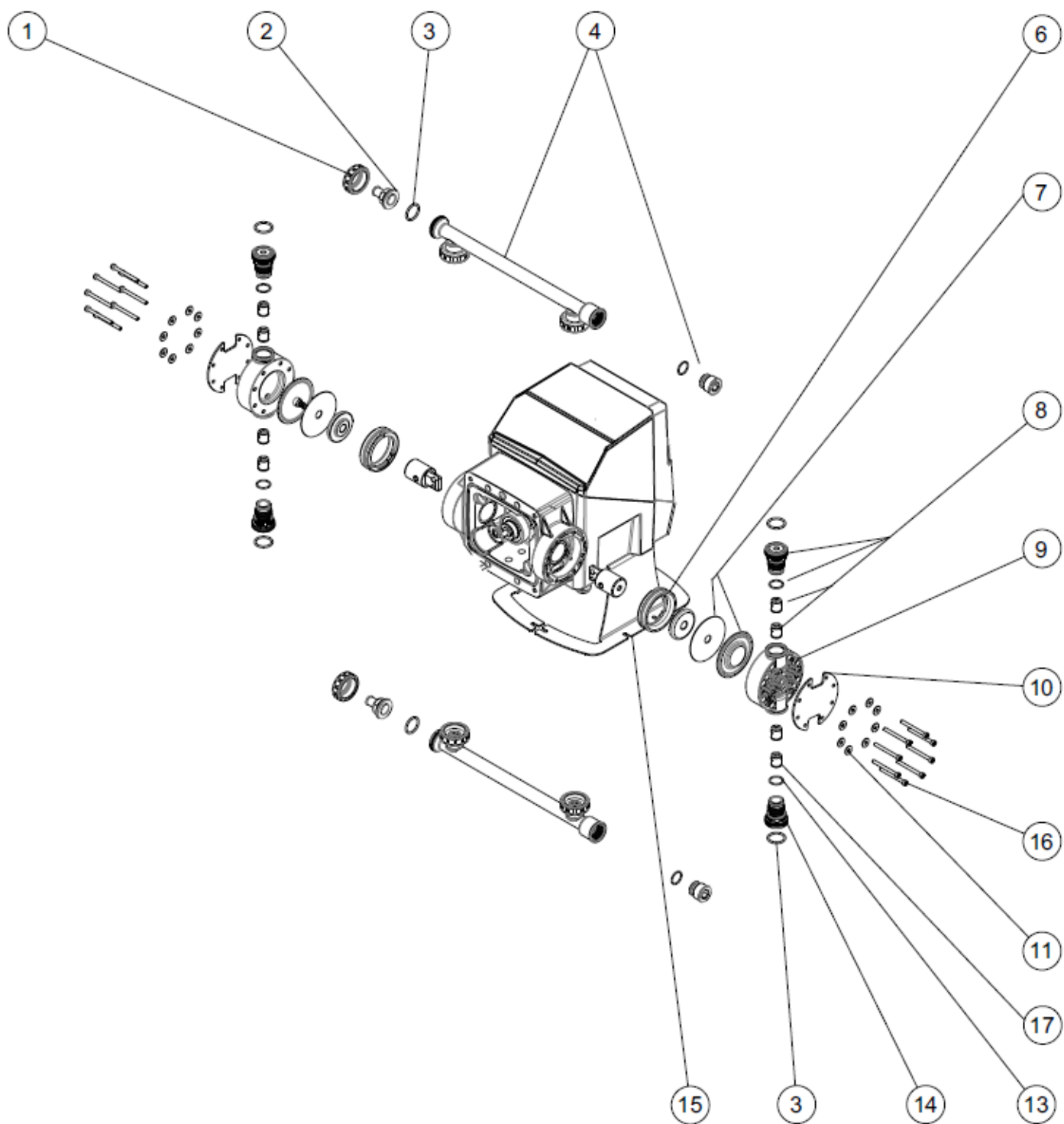
**71000-579** Injection Valve, 1/2" Barb Tubing, FKM, PVDF body, 6 psi  
**71000-580** Injection Valve, 1/2" Barb Tubing, EP, PVDF body, 6 psi  
**71000-577** Injection Valve, 1/2" MNPT, FKM, PVDF body, 6 psi  
**71000-578** Injection Valve, 1/2" MNPT, EP, PVDF body, 6 psi

#### **KIT-CA3DF** DiaFlex Diaphragm / Ball Check(Aflas) Kit

Includes: (Qty 2) Item 7 - DiaFlex Diaphragm, (Qty 1) Item 17 -Kit ball check cartidges, (Qty 6) Item 3 - O-ring, (Qty 4) Item 13 - O-ring

#### **KIT-CE3DF** Flex-A-Prene Diaphragm / Ball Check(EP) Kit

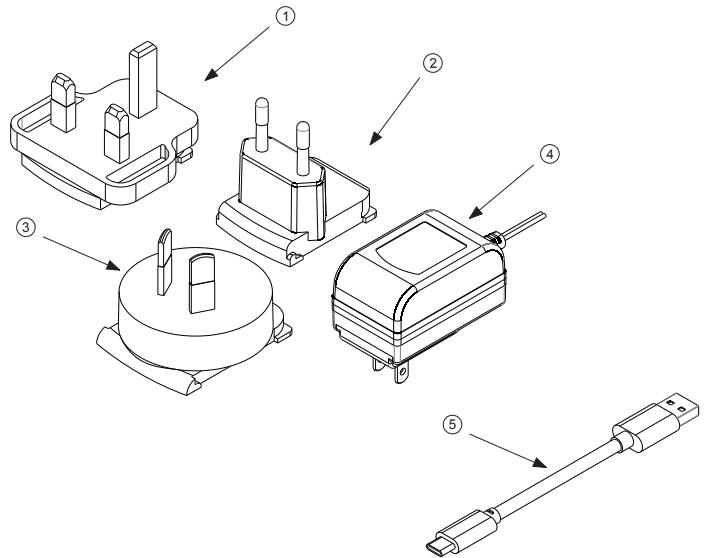
Includes: (Qty 2) Item 7 - Flex-A-Prene Diaphragm, (Qty 1) Item 17 -Kit ball check cartidges, (Qty 6) Item 3 - O-ring, (Qty 4) Item 13 - O-ring



## MS6 Replacement Parts

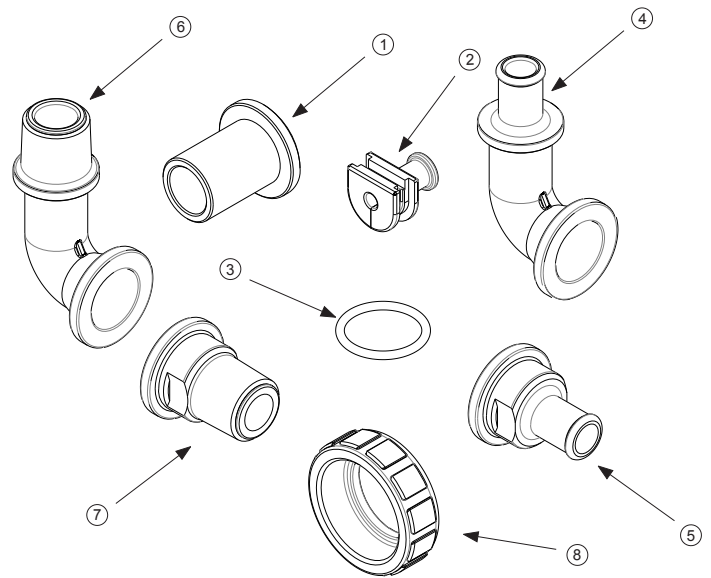
### MS6 Power Supply Kit 72000-594

Item	Model No.	Product Name	Qty. Req.
1	90008-723	U.K. Blade Power Supply	1
2	90008-513	Europe Blade Power Supply	1
3	90008-724	Australian Blade Power Supply	1
4	90008-743	Power Supply 120AC/5VDC 2000MA	1
5	90010-597	USB A-C Cable	1



### MS6 Adapter Kit 72000-588(Aflas), 72000-647 (EP)

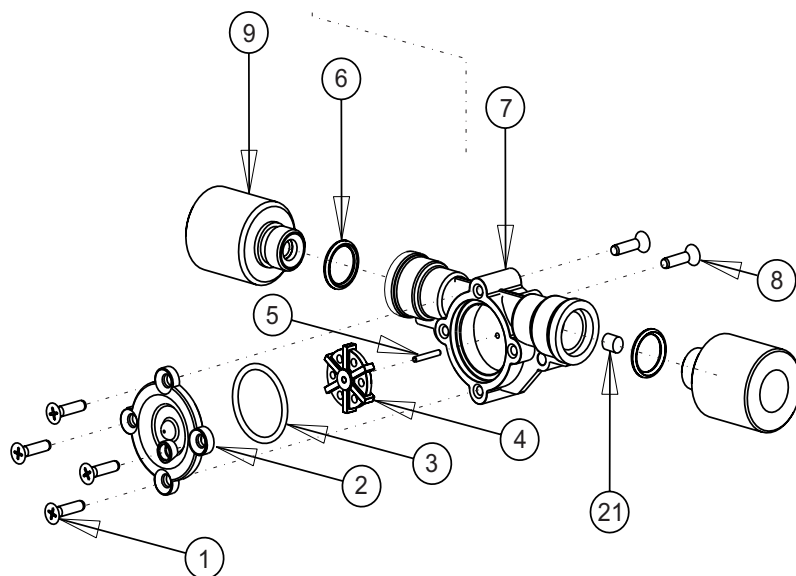
Item	Model No.	Product Name	Qty. Req.
1	76001-855	Adapter PVC	2
2	90003-565	Cable Gland	2
3	90003-577	O-Ring 2-119 AFLAS	2
3	90003-153	O-Ring 2-119 EP	2
4	91001-296	Adapter Elbow, .50 MNPT	2
5	91001-295	.50" Barb Adapter	2
6	91001-288	Adapter Elbow SM .50 M/NPT	2
7	91001-287	Adapter, SM.50 M/NPT	2
8	91001-301	Nut Union Molded PVDF	2



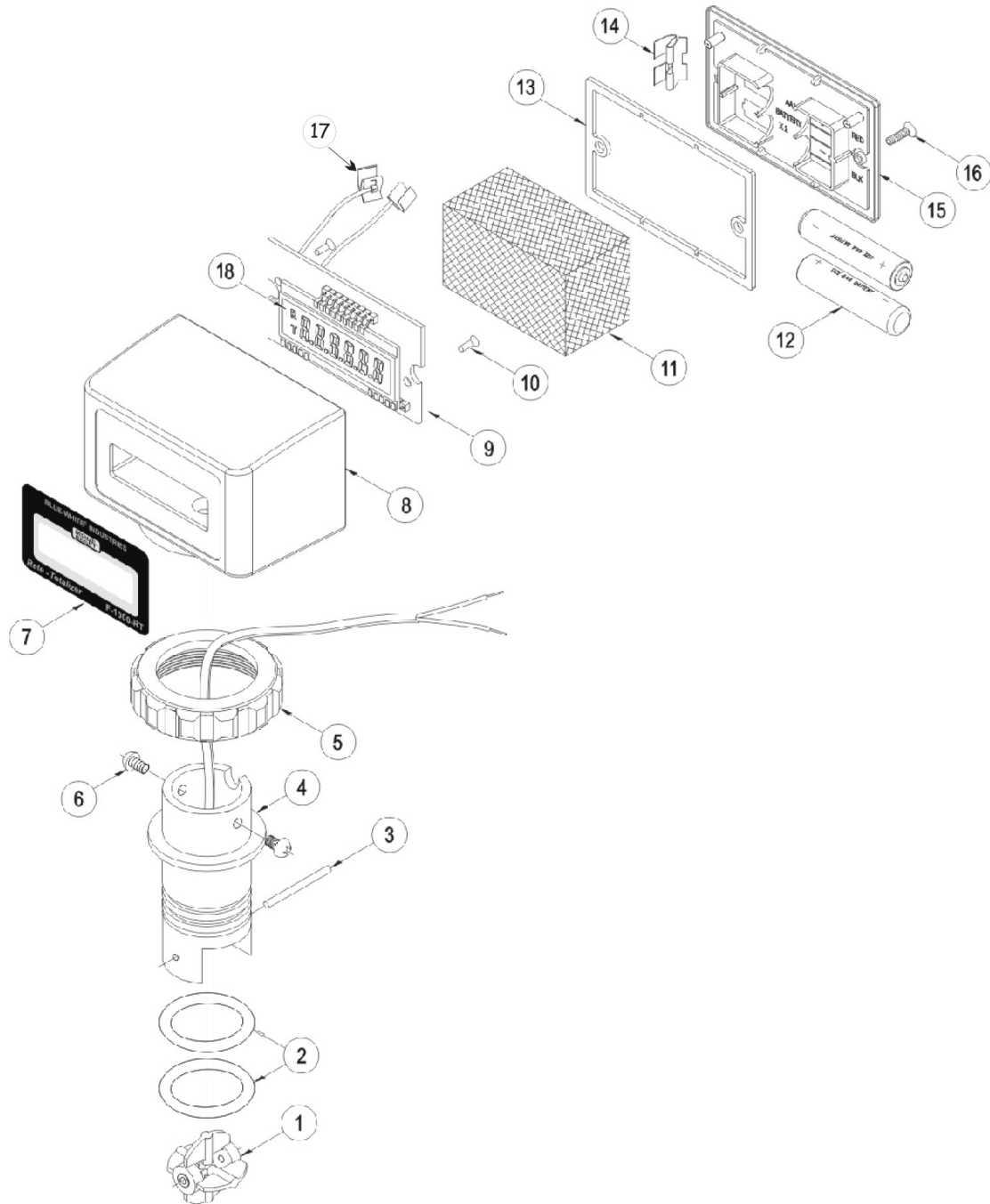


## MICRO-FLO Replacement Parts

Item	Model No.	Product Name	Qty. Req.
<b>1</b>	90011-190	Screw 6-32 x .50 Phil Flt SS	4
<b>2</b>	90002-228	Lens Cap Opaque PVDF	1
<b>3</b>	90003-143	O-Ring FKM	1
	90003-146	O-Ring EP	1
<b>4</b>	90002-229	Paddle PVDF	1
<b>5</b>	90007-592	Axle PVDF	1
<b>6</b>	90003-012	O-Ring FKM	2
	C-502EB	O-Ring EP	2
<b>7</b>	76001-705	Body S1 PVDF (30-300ml/min)	1
	76001-301	Body S2 PVDF (100-1000ml/min)	1
	76001-302	Body S3 PVDF (200-2000ml/min)	1
	76001-706	Body S4 PVDF (300-3000ml/min)	1
	76001-304	Body S5 PVDF (500-5000ml/min)	1
	76001-305	Body S6 PVDF (700-7000ml/min)	1
<b>8</b>	90011-178	Screw #4 x .50 Phil Blk	2
<b>9</b>	76000-137	Adapter .250" F/NPT PVC	2
	76000-456	Adapter .125" F/NPT PVC	2
	90002-038	Adapter .375" OD Tubing Connection, PVDF	2
	90002-042	Adapter .250" OD Tubing Connection, PVDF	2
	76001-360	Adapter .500" ID Hose Barb, PVC	2
	76001-359	Adapter .500 F/NPT, PVC	2
	76001-358	Adapter .500 M/NPT, PVC	2



# F-1000 Replacement Parts



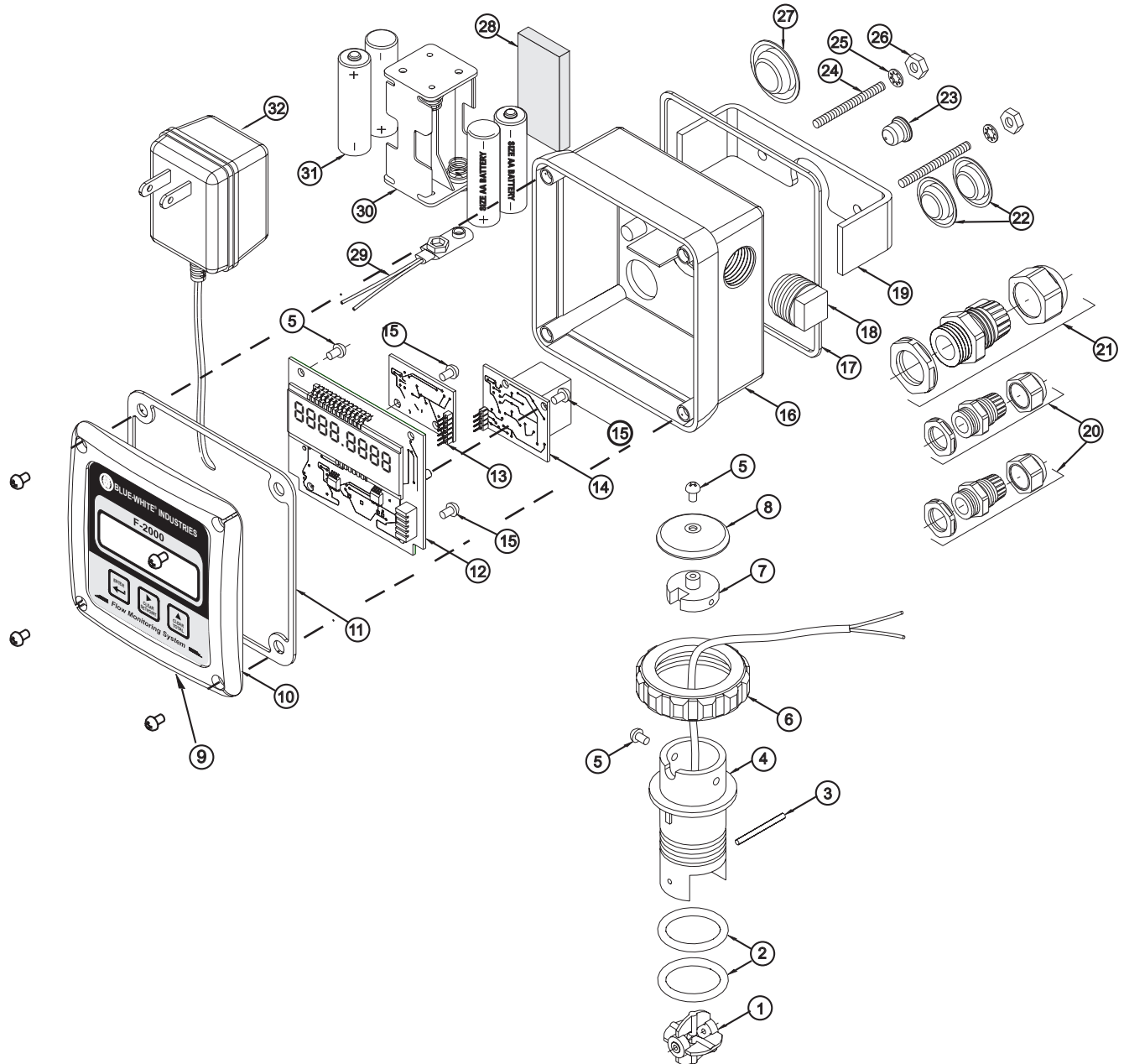
## F-1000 Replacement Parts

Item	Model No.	Product Name	Qty. Req.
<b>1</b>	70000-783	Paddle assembly PVDF (Includes Axle)	1
<b>2</b>	90003-021	O-ring 022 Viton E60	2
	90003-020	O-ring 022 EP	2
<b>3</b>	90007-589	Axle PVDF	1
	90007-567	Axle Hastelloy	1
<b>4</b>	71000-238	Sensor body assembly F-100 no paddle	1
<b>5</b>	91001-280	Union Nut	1
	90011-080	Screw #6 x .37 PH Pan B 18/8	2
<b>7</b>	90012-198	Label F-1000-RB GPM	1
	90012-199	Label F-1000-RB GPH	1
	90012-200	Label F-1000-RB LPM	1
	90012-201	Label F-1000-RB LPH	1
	90012-202	Label F-1000-RB M3H	1
	90012-221	Label F-1000-TB overlay	1
	90012-222	Label F-1000-RT overlay	1

Item	Model No.	Product Name	Qty. Req.
<b>8</b>	76001-187	Housing F-1000	1
	RBC-pipe-units	Circuit board for model RB. Must specify pipe	1
	TBC-pipe-units	Circuit board for model TB. Must specify pipe	1
	RTC-pipe-units	Circuit board for model RT. Must specify pipe	1
	90011-169	Screw #4 .25 Phil Pan "A"	1
	90013-260	Foam pad 1.25 x 1.25 x 2.25	1
	90008-318	Battery each AAA	2
<b>13</b>	90006-590	Gasket F-1000	1
<b>14</b>	90008-319	Battery clip F-1000	1
<b>15</b>	90002-203	Rear plate F-1000	1
<b>16</b>	90011-113	Screw #4 .50 Phil oval "A"	2
<b>17</b>	90010-241	Battery Connector	1
<b>N/S</b>	F-900K	Service Removal Plug	

Note: See page 134 for Pipe Kits

# F-2000 Replacement Parts



## F-2000 Replacement Parts

Item	Model No.	Product Name	Qty. Req.
<b>1</b>	70000-783	Paddle Assembly PVDF	1
<b>2</b>	F-4410V	O-Ring 022 Viton E60	2
	F-4410E	O-Ring 022 EP	2
<b>3</b>	90007-589	Axle PVDF	1
	90007-567	Axle Hastelloy	1
<b>4</b>	71000-238	Sensor Body Ac Coil 1' Cable	1
	71000-285	Sensor Body Ac Coil 25' Cable	1
	70000-806	Sensor Body Hall Effect 25' Cable	1
<b>5</b>	90011-080	Screw #6-32 X .37 Ph Pan B 18/8	5
<b>6</b>	91001-280	Union Nut	1
<b>7</b>	76002-023	Retainer Sensor Cap	1
<b>8</b>	90006-550	Cap Sensor Body SS	1
<b>9</b>	90012-208	Switch Overlay F-2000	1
<b>10</b>	71000-356	Cover F-2000 W/ Switch Overlay	1
<b>11</b>	90006-592	Gasket F-2000 Housing Neoprene	1
<b>12</b>	90010-227	Circuit Board F-2000 Rt	1
<b>13</b>	KIT-AO	Kit Circuitry Model F-2000 AO	1
<b>14</b>	KIT-PB	Kit Circuitry Model F-2000 PB	1
<b>14</b>	KIT-PC	Kit Circuitry Model F-2000 PC	1
<b>15</b>	90011-155	Screw #6-32 X .31 Ph Pan SS	4
<b>16</b>	76001-150	Enclosure F-2000 Panel Mount	1

Item	Model No.	Product Name	Qty. Req.
<b>17</b>	90006-593	Gasket F-2000 1/4 Din Panel Mount	1
<b>18</b>	90008-331	Cap Plug P-48 1/2 Npt Red F-2000	1
<b>19</b>	71000-294	Kit F-2000 1/4 Din Panel Mount	1
<b>20</b>	71000-730	Connector Liquid-Tight 1/2 In.	2
<b>21</b>	A-033N	Connector Liquid-Tight 3/4 In.	1
<b>22</b>	90008-332	Plug 1/2 In.	2
<b>23</b>	90008-340	Cap Plug Vtp-25 Red	1
<b>24</b>	90011-038	Stud Screw #10-32 1.62 Long	2
<b>25</b>	90011-092	Star Washer #10-32	2
<b>26</b>	90011-026	Hex Nut #10-32	2
<b>27</b>	90008-333	Plug 7/8 In.	1
<b>28</b>	90013-261	Foam Pad 1/4 In. Thick	1
<b>29</b>	90008-254	Battery Clip	1
<b>30</b>	90010-233	Battery Holder F-2000 4x AA	1
<b>31</b>	90008-330	Battery alkaline AA	4
<b>32</b>	90008-336	Power Supply 115VAC/15VDC	1
	71010-072	Power Supply 220VAC/15VDC Europe	1
	71000-310	Power Supply 230VAC/15VDC	1
<b>N/S</b>	F-900K	Service Removal Plug	

## F-1000 & F-2000 Pipe Fittings

### Polypropylene Molded In-Line Pipe Fittings -

Pipe Size	GPM Range	LPM Range	Max. PSI Drop	Model Number	
				American M/NPT	British Pipe M/BSPT
3/8"	.8 - 8	3 - 30	2.3	38M1	38MB1
3/8"	.4 - 4	1 - 10	8.7	38M2	38MB2
1/2"	2 - 20	7 - 70	3.5	50M1	50MB1
3/4"	3 - 30	11 - 110	1.9	75M1	75MB1
1"	5 - 50	20 - 200	1.6	10M1	10MB1
1 1/2"	6 - 60	25 - 250	1.0	15M2	15MB2
2"	10 - 100	40 - 400	0.9	20M3	20MB3
2"	20 - 200	70 - 700	1.0	20M4	20MB4

### Standard Saddle Mount Pipe Fittings -

Pipe Size	GPM Range	LPM Range	Material	Model Number	
				Schedule 40	Schedule 80
1 1/2"	15 - 150	60 - 600	PVDF	15K4/S4	15K8/S8
2"	30 - 300	100 - 1000	PVDF	20K4/S4	20K8/S8
2 1/2"	40 - 400	150 - 1500	PVC	25A4/S4	25A8/S8
3"	60 - 600	250 - 2500	PVDF	30K4/S4	30K8/S8
4"	100 - 1000	400 - 4000	PVC	40A4/S4	40A8/S8
6"	250 - 2500	900 - 9000	PVC	60A4/S4	60A8/S8
8"	400 - 4000	1600 - 16000	PVC	80A4/S4	80A8/S8
10"	600 - 6000	2400 - 24000	PVC	100A4/S4	100A8/S8
12"	800 - 8000	3200 - 32000	PVC	120A4/S4	120A8/S8

\*Saddle Mount pipe fittings include: alignment tool, o-rings, clamps, and union nut.

### Metric Saddle Mount Pipe Fittings -

DIN 8062	LPM Range	Material	Model Number	
			METRIC PN10	METRIC PN16
50mm	70 - 700	PVDF	05K0/P0	05K6/P6
63mm	110 - 1100	PVDF	06K0/P0	06K6/P6
75mm	150 - 1500	PVC	07A0/P0	07A6/P6
90mm	230 - 2300	PVDF	09K0/P0	09K6/P6
110mm	350 - 3500	PVC	11A0/P0	11A6/P6
160mm	720 - 7200	PVC	16A0/P0	16A6/P6
200mm	1150 - 11500	PVC	20A0/P0	20A6/P6
250mm	1700 - 17000	PVC	25A0/P0	
315mm	2700 - 27000	PVC	31A0/P0	

\*Saddle Mount pipe fittings include: alignment tool, o-rings, clamps, and union nut.

### PVC TEE Pipe Fittings -

Pipe Size	GPM Range	LPM Range	Material	Model Number
1"	6 - 60	25 - 250	PVC	10AT
1 1/2"	15 - 150	60 - 600	PVC	15AT
2"	30 - 300	100 - 1000	PVC	20AT
3"	60 - 600	230 - 2300	PVC	30AT



20AT  
PVC

### Pipe sizes: 3/8" - 2" M/NPT

#### MOLDED IN-LINE FEATURES

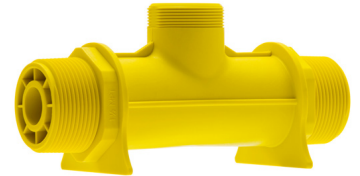
- One piece injection molded construction
- Male pipe thread In-line installation
- Polypropylene fittings for standard applications

#### MOLDED IN-LINE SPECIFICATIONS

**Max PSI** - 300 psi (20 bar) @ 70F (21C)

**Max Temp** - 200F (93C) @ 0 psi

20M3  
Polypropylene



### Pipe sizes: 1-12" (50-315mm)

#### SADDLE FEATURES

- 1 1/2" - 3" (50-90mm) injection molded PVDF
- 4" - 12" (110 - 315mm) machined PVC
- Installs on existing pipe - no other fittings required
- No added pressure drop to system

#### SADDLE SPECIFICATIONS

**Max PSI** - 300 psi (20 bar) @ 70F (21C)

**Max Temp** - (PVDF) 200F (93C) @ 0 psi  
(PVC) 140F (60C) @ 0 psi

15K8  
PVDF



80A4  
PVC

### Pipe sizes: 1-3"

#### TEE FEATURES

- Easy to install
- No added pressure drop to system

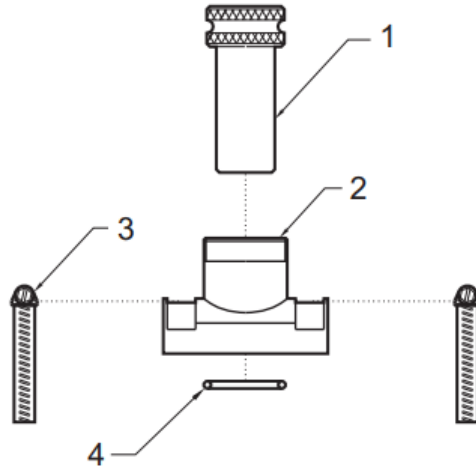
#### TEE SPECIFICATIONS

**Max PSI** - 200 psi (13.8 bar) @ 70F (21C)

**Max Temp** - 140F (60C) @ 0 psi

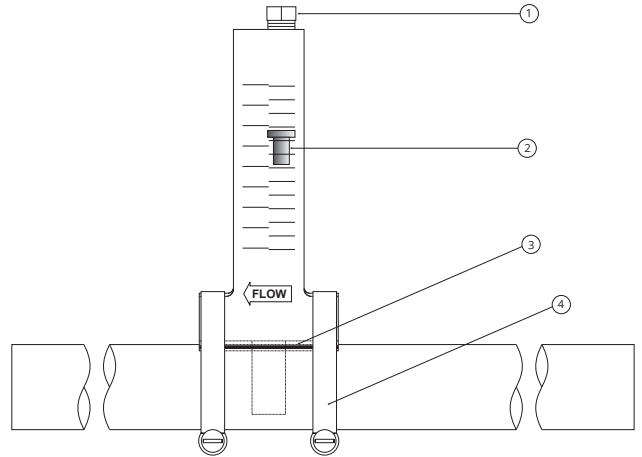
## F-1000/F-2000 Fittings Replacement Parts

Item	Model No.	Product Name	Qty. Req.
1	76000-830	Alignment/Service Tool	1
2		See Pipe Fitting Kits, previous page	1
3	F-3028	Clamp #28, for 1.5" pipe	2
	F-3040	Clamp #40, for 2" pipe	2
	F-3048	Clamp #48, for 2.5" pipe	2
	F-3025	Clamp #52, for 3" pipe	2
	F-3072	Clamp #72, for 4" pipe	2
	F-3116	Clamp #116, for 6" pipe	2
	F-3152	Clamp #152, for 8" pipe	2
	F-3188	Clamp #188, for 10" pipe	2
	F-3224	Clamp #224, for 12" pipe	2
4	90003-108	O-ring / FKM for 1.5", 2", 3"	1
	90003-114	O-ring / FKM for 2.5", 4", 6", 8", 10", 12"	1
	90003-109	O-ring / EP for 1.5", 2", 3"	1
	90003-135	O-ring / EP for 2.5", 4", 6", 8", 10", 12"	1



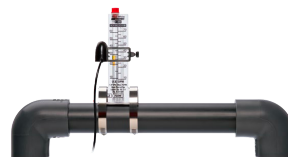
## F-300 Replacement Parts

Item	Model No.	Product Name	Qty. Req.
1	F-3005	Cap Plug For all F-300, D-300 & U-300	1
2	F-3020	Long Float, red PVDF 1" through 1.25"	1
	F-3022	Short Float, red PVDF 1.5" through 8"	1
3	F-3003	Gasket Seal 1" through 4"	1
	F-3004	Gasket Seal 6" through 8"	1
4	90008-667	Mounting Clamp F-30100P, F-30125P	2
	90008-652	Mounting Clamp F-30200P, F-30150P	2
	90008-013	Mounting Clamp D-30150P, U-30150P	2
	90008-668	Mounting Clamp F-30250P	2
	90008-015	Mounting Clamp D-30200P, U-30200P	2
	90008-669	Mounting Clamp F-30300P	2
	90008-673	Mounting Clamp F-30400P	2
	90008-674	Mounting Clamp F-30600P	2
	90008-675	Mounting Clamp F-30800P	2



## F-300S Flow Switch

MODEL NO.	PIPE SIZES	LIST PRICE
F-300S	1" - 2"	\$89.76
F-300SL	2-1/2" - 4"	\$89.76



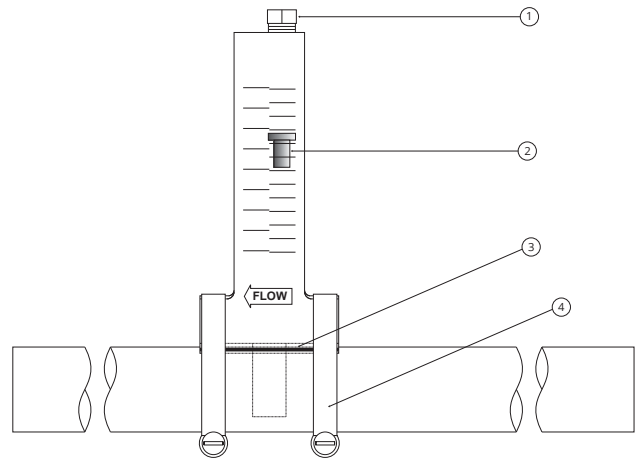
1 1/2" I.P.S



F-300S FLOW SWITCH

## F-300M Replacement Parts

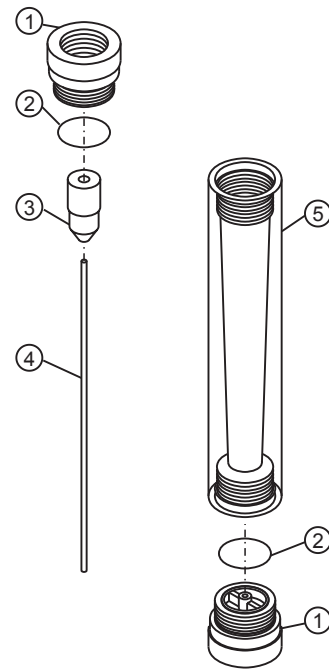
Item	Model No.	Product Name	Qty. Req.
<b>1</b>	F-3005	Cap Plug F-300M	1
<b>2</b>	F-3020	Long Float, Red PVDF (32mm, 50mm, 75mm, 90mm)	1
	F-3022	Short Float, Red PVDF (63mm)	1
	F-3001	Float, SS (110mm)	1
<b>3</b>	F-3003	Gasket Seal	1
<b>4</b>	90008-010	Mounting Clamp F-30032M	2
	90008-137	Mounting Clamp F-30050M	2
	90008-137	Mounting Clamp F-30063M	2
	90008-014	Mounting Clamp F-30075M	2
	90008-016	Mounting Clamp F-30090M	2
	90008-018	Mounting Clamp F-30110M	2





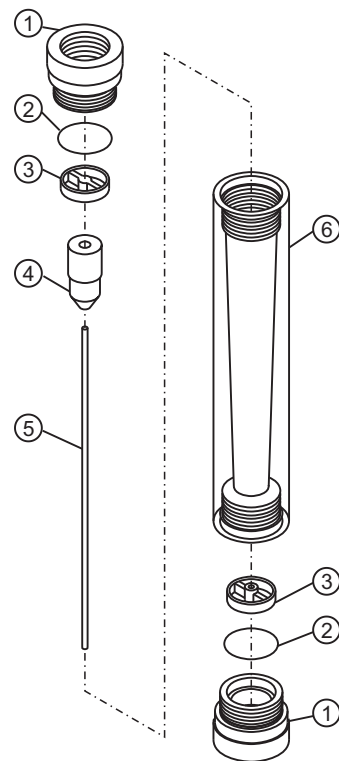
## F-400 Replacement Parts

Item	Model No.	Product Name	Qty. Req.
<b>1</b>	F-4019	1/4" FPT Adapter (PP)	2
	F-4001NS	3/8" FPT Adapter (PP)	2
	F-4003NS	1/2" FPT Adapter (PP)	2
<b>2</b>	90003-119	O-ring, 117, (Viton)	2
	90003-142	O-ring, 117, (EP)	2
<b>3</b>	-	Float (SS)	1
<b>4</b>	F-4004	Guide wire, (SS)	1
<b>5</b>	-	Meterbody (Acrylic)	1



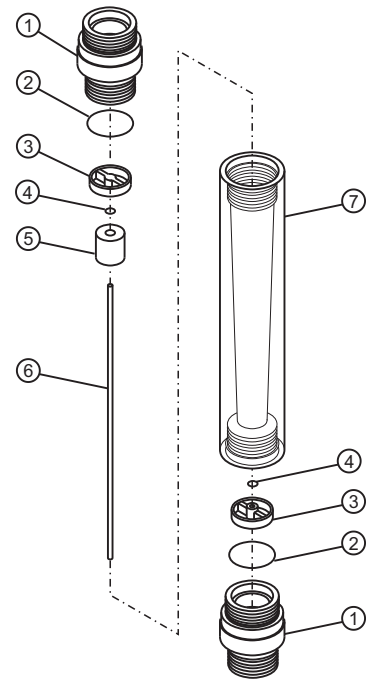
## F-410 Replacement Parts

Item	Model No.	Product Name	Qty. Req.
<b>1</b>	F-4009N	3/4" FPT Adapter (PP)	2
	F-4011	1" FPT Adapter (PP)	2
<b>2</b>	F-4010K	O-ring, 124 (Viton)	2
	F-4010X	O-ring, 124 (EP)	2
<b>3</b>	F-4013PP	Wire holder (PP)	2
<b>4</b>	-	Float (SS)	1
<b>5</b>	F-4012	Guide Wire (SS)	1
<b>6</b>	-	Meterbody (Acrylic)	1



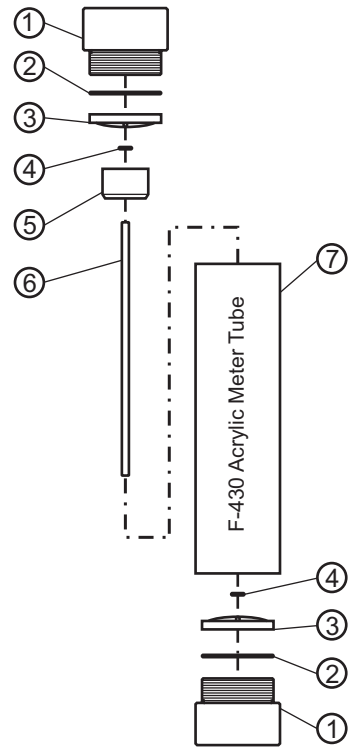
## F-420 Replacement Parts

Item	Model No.	Product Name	Qty. Req.
<b>1</b>	76001-028	1.0" FPT Adapter (PVC)	2
	76001-026	1.5" MPT Adapter (PVC)	2
<b>2</b>	2-127V	O-ring, 127 (Viton)	2
	90003-154	O-ring, 127 (EP)	2
<b>3</b>	91001-159	Wire holder (PSF)	2
<b>4</b>	2-006A	O-ring, 006 (Aflas)	2
	2-006EB	O-ring, 006 (EP)	2
<b>5</b>	-	Float (SS)	1
<b>6</b>	F-4212	Guide Wire (SS)	1
<b>7</b>	-	Meterbody (Acrylic)	1



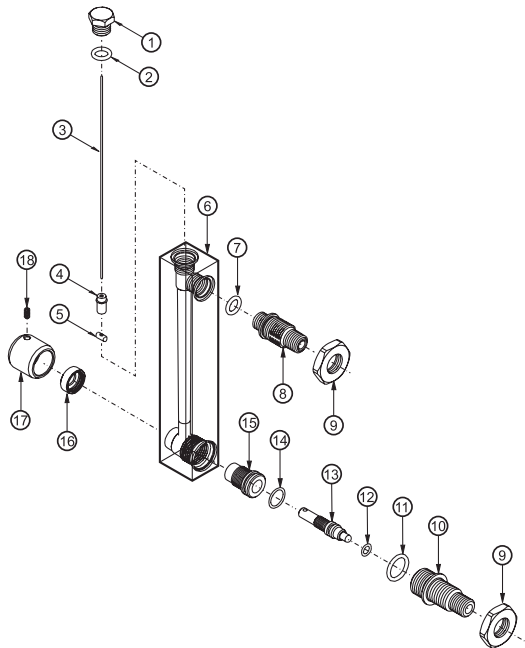
## F-430 Replacement Parts

Item	Model No.	Product Name	Qty. Req.
<b>1</b>	76001-226	1.5" female NPT adapter (PVC)	2
	76001-216	2" female NPT adapter (PVC)	2
<b>2</b>	90003-118	O-ring, 142 (Viton)	2
	90003-151	O-ring, 142 (EP)	2
<b>3</b>	91001-198	Wire Holder (PSF)	2
<b>4</b>	90003-140	O-ring, 108 (Aflas)	2
	2-108EB	O-ring, 108 (EP)	2
<b>5</b>	-	Float (SS)	1
<b>6</b>	90007-626	Guidewire (SS)	1
<b>7</b>	-	Meterbody (Acrylic)	1



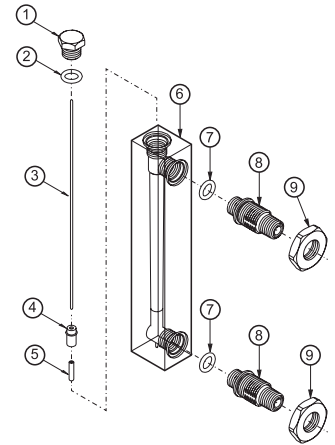
## F-550 Replacement Parts

Item	Product Name	F-55250LA	F-55375LA F-55376LA	F-55500LA	F-55750LA	F-55005LA, F-55010LA F-55015LA, F-55200LA	Qty. Req.
<b>1</b>	Cap	76001-080	91001-032	91001-032	91001-033	91001-160	1
<b>2</b>	O-ring (cap), Viton	90003-072	90003-081	90003-081	90003-082	90003-079	1
	O-ring (cap), EP	90003-574	90003-038	90003-038	90003-039	90003-058	1
<b>3</b>	Guide wire	76001-108	76001-109	76001-109	76001-110	76001-111	1
<b>4</b>	Float	-	-	-	-	-	1
<b>5</b>	Float stop bottom	-	-	-	-	-	1
<b>6</b>	Body	-	-	-	-	-	1
<b>7</b>	O-ring, Viton (adapter)	90003-072	90003-034	90003-034	90003-081	90003-644	1
	O-ring, EP (adapter)	90003-574	90003-033	90003-033	90003-038	90003-645	1
<b>8</b>	Adapter	76001-079	91001-141	91001-142	91001-143	91001-144	1
<b>9</b>	Lock nut	91001-153	91001-153	91001-154	91001-171	91001-172	2
<b>10</b>	Inlet Adapter	76001-153	91001-173	91001-174	91001-175	91001-176	1
<b>11</b>	O-ring, Viton inlet adapter	90003-034	90003-045	90003-045	90003-644	90003-082	1
	O-ring, EP inlet adapter	90003-033	90003-610	90003-610	90003-645	90003-039	1
<b>12</b>	O-ring, Viton valve stem	90003-004	90003-010	90003-010	90003-072	90003-113	1
	O-ring, EP valve stem	90003-598	90003-597	90003-597	90003-574	90003-633	1
<b>13</b>	Valve stem	76001-082	76001-088	76001-088	76001-094	76001-104	1
<b>14</b>	O-ring, Viton valve body	90003-014	90003-081	90003-081	90003-017	90003-021	1
	O-ring, EP valve body	90003-600	90003-038	90003-038	90003-016	90003-020	1
<b>15</b>	Valve body	76001-081	76001-086	76001-086	76001-093	76001-103	1
<b>16</b>	Retainer cap	76001-084	76001-090	76001-090	76001-095	76001-106	1
<b>17</b>	Knob valve	76001-083	76001-089	76001-089	76001-097	76001-105	1
<b>18</b>	Set screw	90011-056	90011-117	90011-117	90011-117	90011-117	1



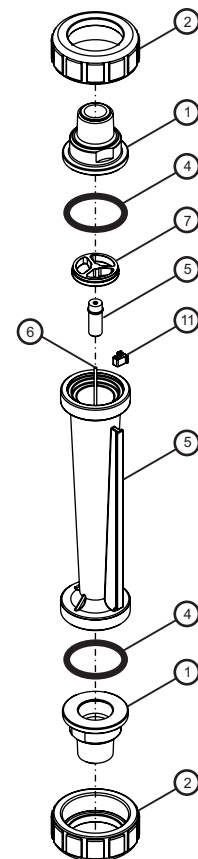
## F-550 Replacement Parts

Item	Product Name	F-55250L	F-55375L F-55376L	F-55500L	F-55750L	F-55005L, F-55010L F-55015L, F-55200L	Qty. Req.
<b>1</b>	Cap	76001-080	91001-032	91001-032	91001-033	91001-160	1
<b>2</b>	O-ring (cap), Viton	90003-072	90003-081	90003-081	90003-082	90003-079	1
	O-ring (cap), EP	90003-574	90003-038	90003-038	90003-039	90003-058	1
<b>3</b>	Guide wire	90007-634	90007-534	90007-534	90007-535	90007-606	1
<b>4</b>	Float	-	-	-	-	-	1
<b>5</b>	Float stop bottom	-	-	-	-	-	1
<b>6</b>	Body	-	-	-	-	-	1
<b>7</b>	O-ring, Viton (adapter)	90003-072	90003-034	90003-034	90003-081	90003-644	2
	O-ring, EP (adapter)	90003-574	90003-033	90003-033	90003-038	90003-6445	2
<b>8</b>	Adapter	76001-079	91001-141	91001-142	91001-143	91001-144	2
<b>9</b>	Lock nut	91001-153	91001-153	91001-154	91001-171	91001-172	2



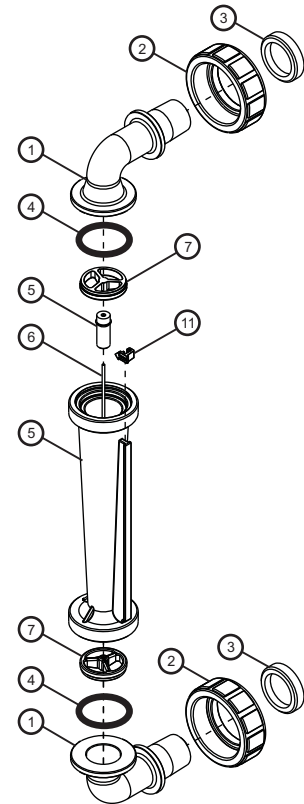
## F-440 (In-Line) Replacement Parts

Item	Model No.	Product Name	Qty. Req.
<b>1</b>	F-44N07	3/8" Male NPT in-line adapter, Polysulfone	2
	F-44N08	1/2" Male NPT in-line, Polysulfone	2
	F-44N09	3/4" Male NPT in-line, Polysulfone, large body	2
	F-45N013	1/2" Male NPT in-line, Polysulfone, large body	2
<b>2</b>	F-44N05	3/8" and 1/2" Half Union, Nylon	2
	F-44N06	3/4" Half Union, Nylon	2
<b>4</b>	90003-152	3/8" and 1/2" O-ring seal, Viton	2
	90003-627	3/8" and 1/2" O-ring seal, EP	2
	90003-082	3/4" O-ring seal, Viton	2
	F-5026X	3/4" O-ring seal, EP	2
<b>5</b>	N/A	Meterbody and Float (contact factory)	1
<b>6</b>	F-44N14	3/8" and 1/2" Guide Rod, 316 Stainless Steel	1
	F-44N15	3/4" Guide Rod, 316 Stainless Steel	1
<b>7</b>	F-45N007	1/2" Guide Rod holder, Polysulfone	2
	F-45N019	3/4" Guide Rod holder, Polysulfone	2
<b>11</b>	F-45N043	Indicator, Red	1



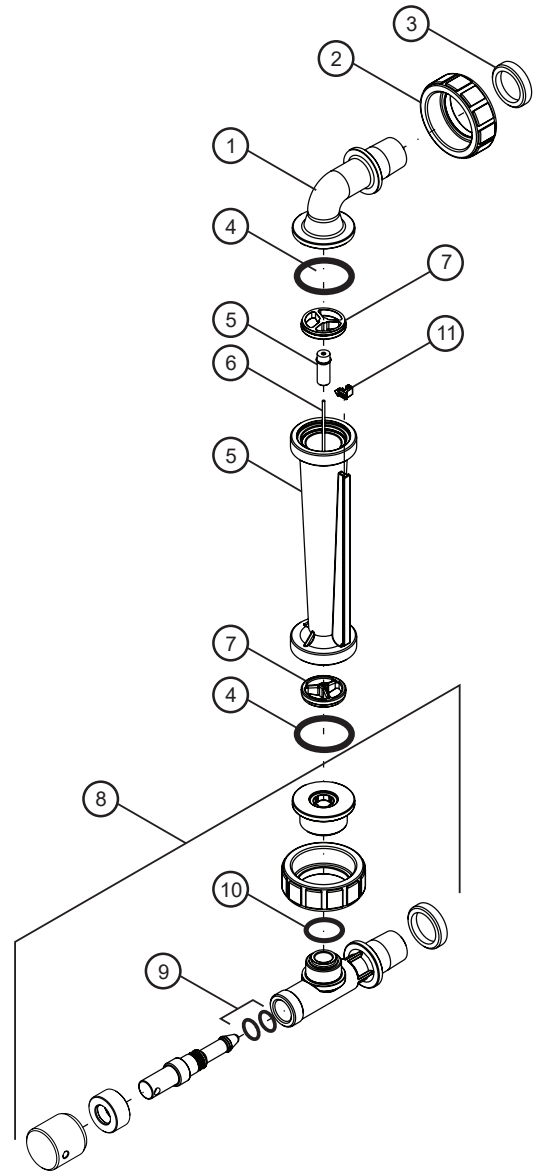
## F-440E Elbow (Panel Mount) Replacement Parts

Item	Model No.	Product Name	Qty. Req.
<b>1</b>	F-44N40	3/8" Male NPT 90° Elbow, Polysulfone	2
	F-44N20	1/2" Male NPT 90° Elbow, Polysulfone	2
	F-44N21	3/4" Male NPT 90° Elbow, Polysulfone	2
	F-44N42	1/2" Male NPT 90° Elbow, Polysulfone	2
<b>2</b>	F-44N05	3/8" and 1/2" Half Union, Nylon	2
	F-44N06	3/4" Half Union, Nylon	2
<b>3</b>	F-4427A	3/8" and 1/2" Panel mount lock nut	2
	F-4428A	3/4" Panel mount lock nut	2
<b>4</b>	90003-152	3/8" and 1/2" O-ring seal, FKM	2
	90003-627	3/8" and 1/2" O-ring seal, EP	2
	90003-082	3/4" O-ring seal, FKM	2
	F-5026X	3/4" O-ring seal, EP	2
<b>5</b>	N/A	Meterbody and Float (contact factory)	1
<b>6</b>	F-44N14	3/8" & 1/2" Guide Rod, 316 SS	1
	F-44N15	3/4" Guide, 316 SS	1
<b>7</b>	F-45N007	1/2" Guide Rod holder, Polysulfone	2
	F-45N019	3/4" Guide Rod holder, Polysulfone	2
<b>11</b>	F-45N043	Indicator, Red	1



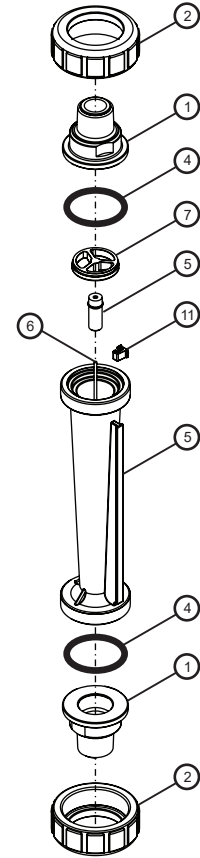
## F-440A - Adjustable (Panel Mount)

Item	Model No.	Product Name	Qty. Req.
<b>1</b>	F-44N40	3/8" Male NPT 90° Elbow, Polysulfone	2
	F-44N20	1/2" Male NPT 90° Elbow, Polysulfone	2
	F-44N21	3/4" Male NPT 90° Elbow, Polysulfone	2
	F-44N42	1/2" Male NPT 90° Elbow, Polysulfone	2
	<b>2</b>	F-44N05	3/8" and 1/2" Half Union, Nylon
	F-44N06	3/4" Half Union, Nylon	2
<b>3</b>	F-4427A	3/8" and 1/2" Panel mount lock nut	2
	F-4428A	3/4" Panel mount lock nut	2
<b>4</b>	90003-152	3/8" and 1/2" O-ring seal, FKM	2
	90003-627	3/8" and 1/2" O-ring seal, EP	2
	90003-082	3/4" O-ring seal, FKM	2
	F-5026X	3/4" O-ring seal, EP	2
<b>5</b>	N/A	Meterbody and Float (contact factory)	1
<b>6</b>	F-44N14	3/8" & 1/2" Guide Rod, 316 SS	1
	F-44N15	3/4" Guide Rod, 316 SS	1
<b>7</b>	F-45N007	1/2" Guide Rod holder, Polysulfone	2
	F-45N019	3/4" Guide Rod holder, Polysulfone	2
<b>8</b>	F-44N40-1	3/8" M/NPT Valve Assm. Sm, Poly, FKM seal	1
	F-44N40-2	1/2" M/NPT Valve Assm. Sm, Poly, FKM seal	1
	F-45N031-1	3/8" M/NPT Valve Assm. Lg, Poly, FKM seal	1
	F-45N031-2	1/2" M/NPT Valve Assm. Lg, Poly, FKM seal	1
	F-45N031-3	3/4" M/NPT Valve Assm. Lg, Poly, FKM seal	1
<b>9</b>	90003-010	O-Ring, FKM	2
	90003-597	O-Ring, EP	2
<b>10</b>	90003-071	O-Ring, FKM	1
	90003-018	O-Ring, EP	1
<b>11</b>	F-45N043	Indicator, Red	1



## F-450 (In-Line) Replacement Parts

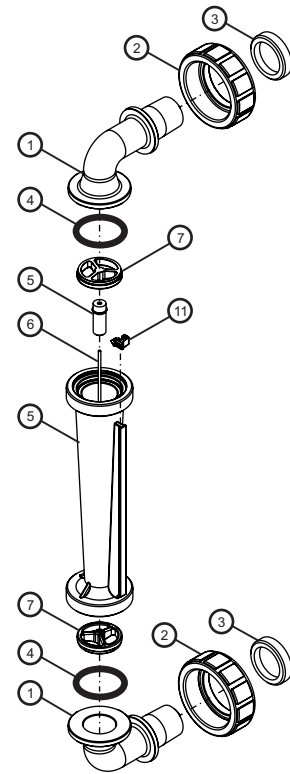
Item	Model No.	Product Name	Qty. Req.
<b>1</b>	F-45N011-2	3/8" Male NPT in-line adapter, Polysulfone	2
	F-45N013	1/2" Male NPT in-line, Polysulfone	2
	F-44N09	3/4" Male NPT in-line, Polysulfone	2
<b>2</b>	F-44N06	3/4" Half Union, Nylon	2
<b>4</b>	90003-082	3/4" O-ring seal, Viton	2
	90003-039	3/4" O-ring seal, EP	2
<b>5</b>	N/A	Meterbody and Float (contact factory)	1
<b>6</b>	F-45N005	F-45375, F-45376, F-45500 Guide Rod 316 SS	1
	F-45N021	F-45750 Guide Rod, 316 SS	1
<b>7</b>	F-45N019	Guide Rod holder, Polysulfone	2
<b>11</b>	F-45N043	Indicator, Red	1





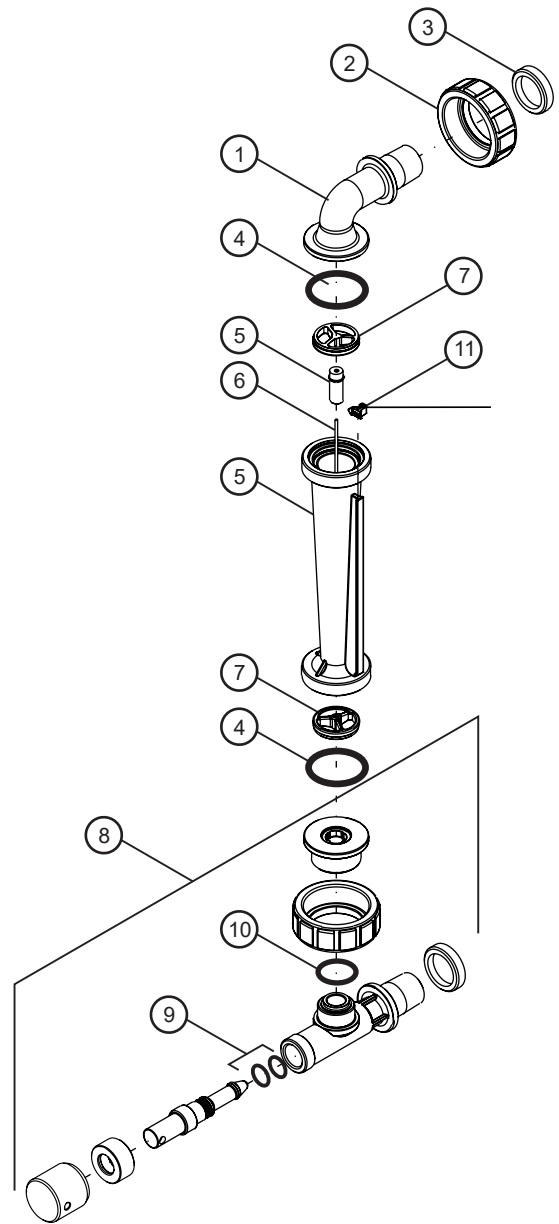
## F-450NE Elbow (Panel Mount) Replacement Parts

Item	Model No.	Product Name	Qty. Req.
<b>1</b>	F-44N41	3/8" Male NPT 90° Elbow, Polysulfone	2
	F-44N42	1/2" Male NPT 90° Elbow, Polysulfone	2
	F-44N21	3/4" Male NPT 90° Elbow, Polysulfone	2
<b>2</b>	F-44N06	3/4" Half Union, Nylon	2
<b>3</b>	F-4427A	3/8" and 1/2" Panel mount lock nut	2
	F-4428A	3/4" Panel mount lock nut	2
<b>4</b>	90003-082	O-ring seal, Viton	2
	90003-039	O-ring seal, EP	2
<b>5</b>	N/A	Meterbody and Float (contact factory)	1
<b>6</b>	F-45N005	45375, F-45376, F-45500 Guide Rod 316 SS	1
	F-45N021	F-45750 Guide Rod, 316 SS	1
<b>7</b>	F-45N019	Guide Rod holder, Polysulfone	2
<b>11</b>	F-45N043	Indicator, Red	1



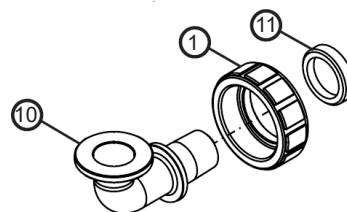
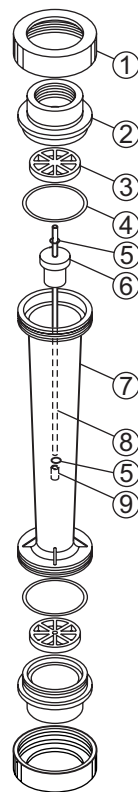
## F-450NA Adjustable (Panel Mount)

Item	Model No.	Product Name	Qty. Req.
<b>1</b>	F-44N41	3/8" Male NPT 90° Elbow, Polysulfone	1
	F-44N42	1/2" Male NPT 90° Elbow, Polysulfone	1
	F-44N21	3/4" Male NPT 90° Elbow, Polysulfone	1
<b>2</b>	F-44N06	3/4" Half Union, Nylon	1
<b>3</b>	F-4427A	3/8" and 1/2" Panel mount lock nut	1
	F-4428A	3/4" Panel mount lock nut	1
<b>4</b>	90003-082	O-ring seal, Viton	2
	90003-039	O-ring seal, EP	2
<b>5</b>	N/A	Meter body and Float (contact factory)	1
<b>6</b>	F-45N005	F-45375, F-45376, F-45500 Guide Rod, 316 SS	1
	F-45N021	F-45750 Guide Rod, 316 SS	1
<b>7</b>	F-45N019	Guide Rod holder, Polysulfone	2
<b>8</b>	F-45N031-1	3/8" M/NPT Needle Valve Assm. large, Poly, Viton Seals	1
	F-45N031-2	1/2" M/NPT Needle Valve Assm. large, Poly, Viton Seals	1
	F-45N031-3	3/4" M/NPT Needle Valve Assm. large, Poly, Viton Seals	1
<b>9</b>	90003-010	O-ring, Viton	2
	90003-597	O-ring, EP	2
<b>10</b>	90003-071	O-ring, Viton	1
	90003-018	O-ring, EP	1
<b>11</b>	F-45N043	Indicator, Red	1



## F-451 Replacement Parts

Item	Model No.	Product Name	Qty. Req.
<b>1</b>	F-45038N	Union Nut	2
<b>2</b>	F-45030N	Adapter, vertical, 1" F/NPT (PSF)	2
	F-45036	Adapter, vertical, 1-1/2" M/NPT (PVC)	2
<b>3</b>	F-45025	Wireholder 1-10, 2-20 (PSF)	2
	F-45025-2	LG Wireholder 3-30, 4-40 (PSF)	2
<b>4</b>	2-136V	O-Ring 2-136 (Viton)	2
	2-136EB	O-Ring 2-136 (EP)	
<b>5</b>	2-006A	Float Stop .5-6, 1-10, 2-20 (Aflas)	2
	2-006E	Float Stop .5-6, 1-10, 2-20 (EP)	2
	2-008V	Large Float Stop, 3-30, 4-40 (Aflas)	2
	2-008E	Large Float Stop, 3-30, 4-40 (EP)	2
<b>6</b>	-	Float (SS) (contact factory)	1
<b>7</b>	-	Meterbody (PSF) (contact factory)	1
<b>8</b>	F-45028	Guide Wire, .5-6, 1-10, 2-20, (SS)	1
	F-45028-2	Guide Wire, 3-30, 4-40 (SS)	1
<b>9</b>	F-45046	Wireholder Bottom (PSF)	1
<b>10</b>	F-45031	1" Male NPT 90° Elbow, Polysulfone	2
<b>11</b>	F-45032	Panel Mount Lock Nut, PVC	2

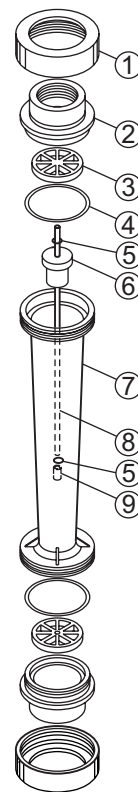


Panel Mount Elbow Option

## F-452 Replacement Parts

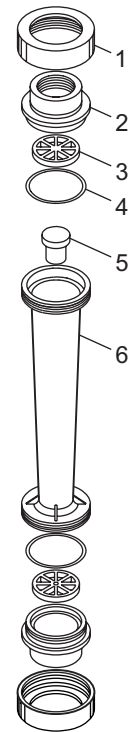
Item	Model No.	Product Name	Qty. Req.
<b>1</b>	F-452004N	Union Nut (Nylon)	2
<b>2</b>	F-452330N	2.0" FNPT Adapter (PSF)	2
<b>3</b>	F-452002	Wireholder (PSF)	2
<b>4</b>	F-452043N	O-ring (Viton)	2
	F-452043NE	O-ring (EP)	2
<b>5</b>	2-108A	O-ring (Aflas)	2*
	2-108EB	O-ring (EP)	2*
<b>6</b>	-	Float (SS) (contact factory)	1
<b>7</b>	-	Meterbody (PSF) (contact factory)	1
<b>8</b>	F-452287N	Guide Wire (SS)	1
<b>9</b>	F-452332	Float Stop (Polyethylene)	2*

\* Actually Qty may depend on specific model.



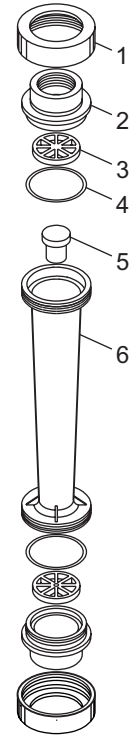
## F-460 Replacement Parts

Item	Model No.	Product Name	Qty. Req.
<b>1</b>	76001-012	Union Nut (PVC)	2
	90007-158	Union Nut (ALUM)	2
<b>2</b>	76001-037	.50" FPT Adapter (PVC)	2
	76001-004	.50" FPT Adapter (PVDF)	2
	76001-042	.75" FPT Adapter (PVC)	2
	76000-982	.75" FPT Adapter (PVDF)	2
<b>3</b>	91001-146	Float Stop (PSF)	2
<b>4</b>	90003-023	O-ring (Viton)	2
	90003-022	O-ring, (EP)	2
<b>5</b>	-	Float (PTFE) (contact factory)	1
<b>6</b>	-	Body (PSF) (contact factory)	1



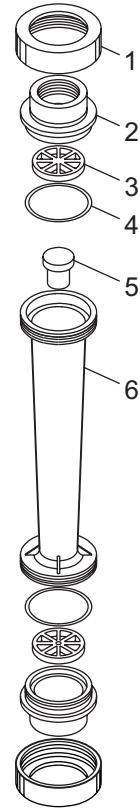
## F-461 Replacement Parts

Item	Model No.	Product Name	Qty. Req.
<b>1</b>	76001-330	Union Nut (PVC)	2
	90007-640	Union Nut (ALUM)	2
<b>2</b>	76001-260	1.0" FPT Adapter (PVC)	2
	76001-259	1.0" FPT Adapter (PVDF)	2
<b>3</b>	91001-159	Float Stop (PSF)	2
<b>4</b>	90003-134	O-ring (Viton)	2
	90003-138	O-ring (EP)	2
<b>5</b>	-	Float (PTFE) (contact factory)	1
<b>6</b>	-	Body (PSF) (contact factory)	1



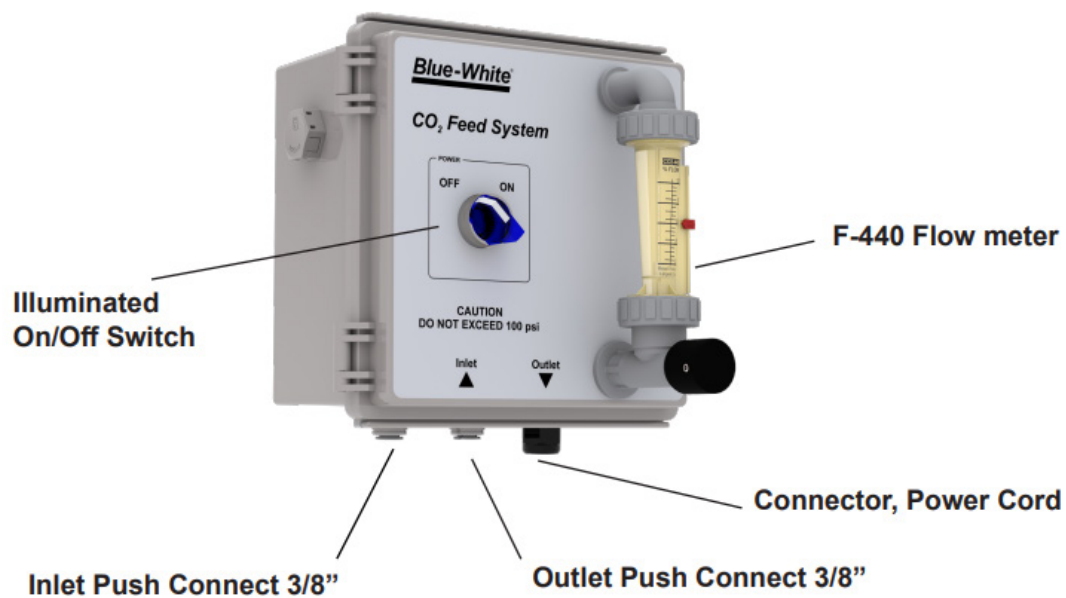
## F-462 Replacement Parts

Item	Model No.	Product Name	Qty. Req.
<b>1</b>	F-452004N	Union Nut (Nylon)	2
<b>2</b>	F-452330N	2.0" Adapter FNPT (PSF)	2
<b>3</b>	F-452002	Float Stop (PSF)	2
<b>4</b>	F-452043N	O-Ring (Viton)	2
	F-452043NE	O-ring (EP)	2
<b>5</b>	-	Float (PTFE) (contact factory)	2
<b>6</b>	-	Meterbody (PSF) (contact factory)	1



## CO<sub>2</sub> Feed System Replacement Parts

Item	Part No.	Description	Qty. Req.
1	90010-731	On/Off Switch, Illuminated	1
2	71010-935	F-440 Flow Meter	1
3	90018-022	3/8 in. Polyurethane Tubing	1
4	90018-010	Push Connector, Elbow	2
5	90010-733	Solenoid Valve, SS	1
6	90010-110	Power Cord, 6 ft	1
7	90008-035	Connector, Liquid Tight, Power Cord	1
8	90018-009	Push Connector, Inlet/Outlet	2





**Notes:**

**Notes:**

**Notes:**

