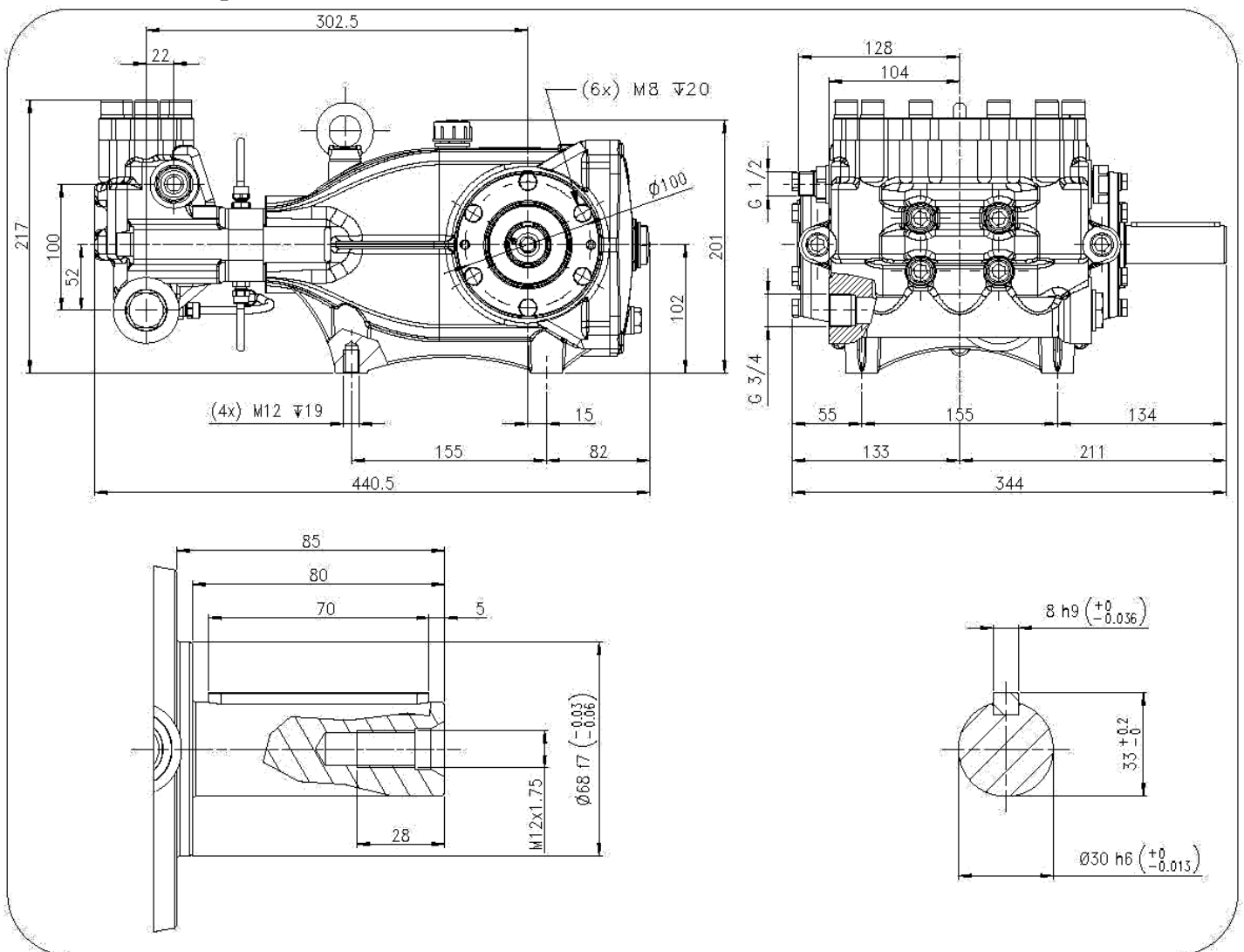


Caratteristiche Tecniche			MPX 2021 HEAVY DUTY						Technical Characteristics			
			500 bar									
Pump Pompa	Pressure Pressione		Volume Portata				RPM giri/min		Power Potenza			
	bar	PSI	l/min		GPM		50 Hz	60 Hz	HP		kW	
			50 Hz	60 Hz	50 Hz	60 Hz			50 Hz	60 Hz	50 Hz	60 Hz
MPX2550EB	500	7250	25	30	6,7	8	1450	1740	32,3	38,8	23,8	28,6
MPX3050EB	500	7250	30	36	8	9,6	1450	1740	38,7	46,4	28,5	34,2

### Dimensioni d'ingombro

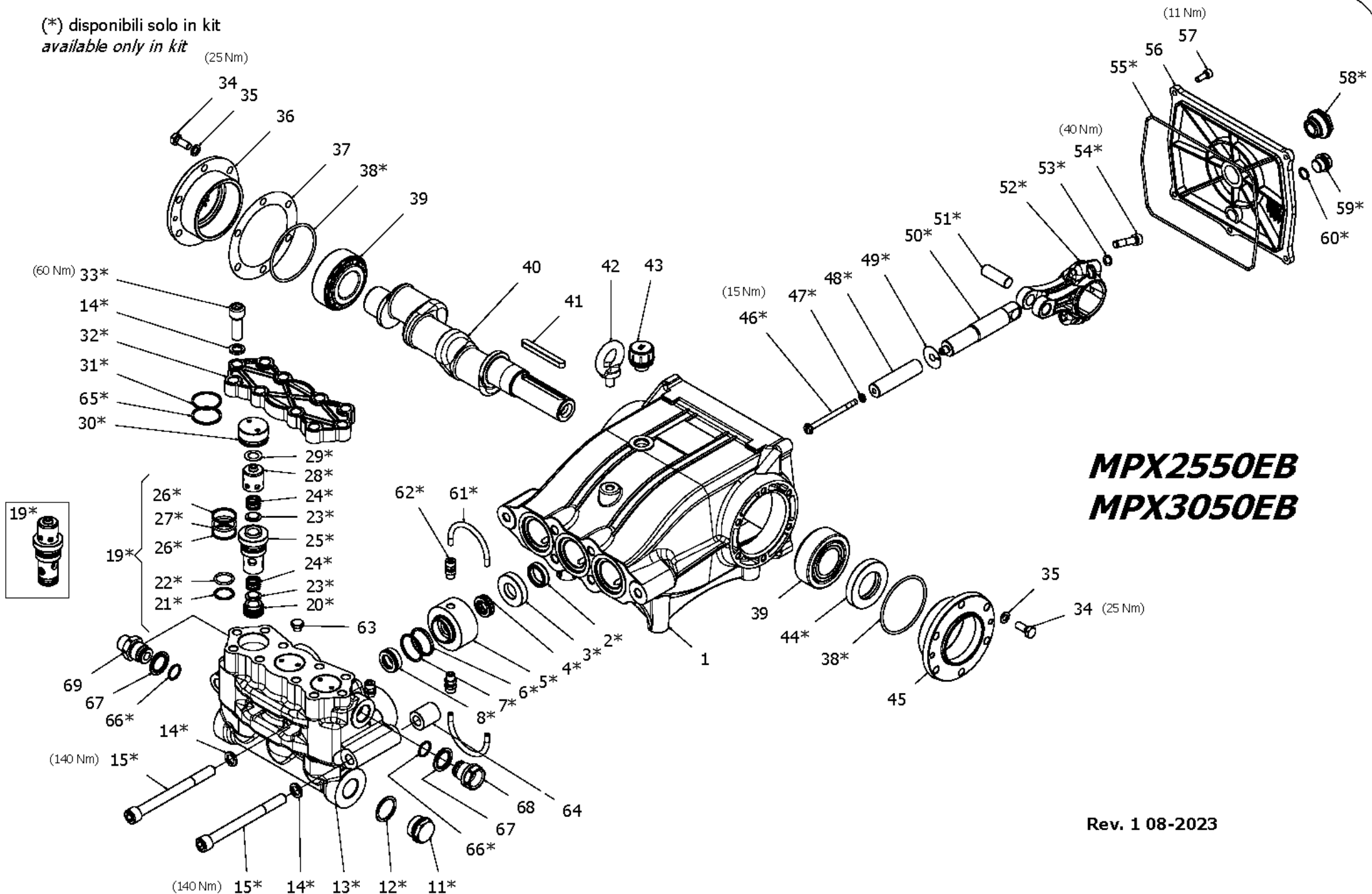
### Overall dimensions



Lubrificazione: Olio SAE 10W-40  
 Capacità: 2,3 Litri  
 Peso pompa: 37 Kg

Lubrication: SAE 10W-40 Oil  
 Capacity: 2,3 Litres  
 Weight: 37 Kg

(\*) disponibili solo in kit  
available only in kit



**HAWK**  
**Pompe MPX serie 2021 HEAVY DUTY**  
**MPX Pumps 2021 HEAVY DUTY series**

## MPX EB SERIES

### ORDINARY MAINTENANCE KIT / KIT MANUTENZIONE ORDINARIA

KIT	Item Pos	Part Number Codice	Description	Descrizione	Q.TY per pump - Q.TÀ per pompa	MPX2550EB	MPX3050EB
A	4-6-7-8	1.904-450.0	PISTON SEAL PACKING Ø18	GUARNIZIONI PISTONE Ø18	1		
B	19 (20-21-22-23 24-25-26-27-28 29) 65-31	1.904-453.0	COMPLETE VALVE	VALVOLE COMPLETE	1	•	•

### EXTRAORDINARY MAINTENANCE KIT / KIT MANUTENZIONE STRAORDINARIA

KIT	Item Pos	Part Number Codice	Description	Descrizione	Q.TY per pump - Q.TÀ per pompa	MPX2550EB	MPX3050EB
C	2	1.099-766.0	PLUNGER OIL SEALS	TENUTE OLIO ASTA PISTONE	1		
D	46-47-48-49	1.904-452.0	PLUNGER Ø18	PISTONE Ø18	3		
E	38-44-55-58-59 60	1.099-805.0	KIT CRANCKASE SEALS	KIT TENUTE CARTER	1		
F	14-15	9.853-518.0	MANIFOLD SCREWS	VITI TESTATA	1		
I	11-12-13-14- 30-32-33-66- 67-68-69	1.905-157.0	CYLINDER HEAD KIT	KIT TESTATA		•	•
L	3-4-5-6-7-8	1.904-973.0	COMPLETE SEAL PACKING	KIT GUARNIZIONI COMPLETO			
G	50-51-52-53-54	1.904-428.0	PLUNGER ROD- CONNECTING ROD	ASTA PISTONE-BIELLA	3		
H	61-63	1.904-456.0	COMPLETE CIRCULATION PIPES	TUBI RICIRCOLO	1		

**“Q.TY by Pump” => Necessary quantity to repair one pump**  
**“Q.TA’ per Pompa” => Quantità necessaria per riparare una pompa**

Part number Codice	Description	Descrizione
1.099-669.0	TOOL KIT	TOOL KIT
1.904-418.0	TOOL KIT EXTRAORDINARY	TOOL KIT STRAORDINARIA

### IMPORTANT IMPORTANTE

\* Part available ONLY in kit  
 Disponibile SOLO in kit

(...) Parts pre-assembled  
 Parti pre-assemblate

## PARTS LIST LISTA PARTI

Item Pos	Part Number Codice	Description	Descrizione	Q.TY Q.TÀ	kit	MPX2550EB	MPX3050EB
1	9.853-515.0	CARTER	CARTER	1			
2*		PLUNGER OIL SEAL	ANELLO RADIALE	3	C		
3		SUPPORT RING	PRESSORE	3	L		
4*		"U" SEAL	GUARN. "U"	3	A-L		
5		INTERMED. RING	DIFFUSORE	3	L		
6*		BACK RING	ANELLO ANTIESTR.	3	A-L		
7*		O-RING	O-RING	3	A-L		
8*		"U" SEAL	GUARN. "U"	3	A-L		
11		BRASS PLUG G3/4"	TAPPO G3/4"	1	I		
12		COPPER SPACER G3/4"	GUARNIZIONE G3/4"	1	I		
13		MANIFOLD HOUSING	TESTATA OTTONE	1	I		
14*		SPRING WASHER	ROSETTA ELAST.	16	F-I		
15*		MANIFOLD HOUSING SCREW	VTCEI M12 x 130	6	F		
19*		VALVE ASSEMBLY	VALVOLA PREMONTATA	3	B		
20*		VALVE SEAT	SEDE VAM	3	B		
21*		BACK RING	ANELLO ANTIESTR.	3	B		
22*		O-RING	O-RING	3	B		
23*		VALVE PLATE	PIATTELLO VAM	6	B	•	•
24*		VALVE SPRING	MOLLA VAM	6	B		
25*		VALVE CAGE	GABBIA VAM IMPILATA	3	B		
26*		BACK RING	ANELLO ANTIESTR.	6	B		
27*		O-RING	O-RING	3	B		
28*		VALVE CAGE	GABBIA VAM	3	B		
29*		COPPER WASHER	ROSETTA RAME	3	B		
30		VALVE SPACER CAP	DISTANZIALE TAPPO VAM	3	I		
31*		BACK RING	ANELLO ANTIESTR.	3	B		
32		MANIFOLD HOUSING COVER	COPERCHIO TESTATA	1	I		
33		COVER SCREW	VITE COPERCHIO TESTATA	10	I		
34	9.851-503.0	BEARING HOUSING SCREW	VITE FLANGIA CUSCINETTI	12			
35	9.851-114.0	WASHER	ROSETTA M8 UNI 6592V	12			
36	9.850-641.0	BEARING HOUSING	FLANGIA CHIUSA	1			
37	9.850-556.0	SHIM 0,1mm	DISTANZIALE FLANGIA 0,1mm	1			
	9.850-557.0	SHIM 0,05mm	DISTANZIALE FLANGIA 0,05mm	1			
38*		O-RING	O-RING	2	E		
39	9.851-963.0	ROLLER BEARING	CUSCINETTO	2			

Item Pos	Part Number Codice	Description	Descrizione	Q.TY Q.TÀ	kit	MPX2550EB	MPX3050EB
40	9.850-231.0	CRANKSHAFT SPTO Ø30	ALBERO SPTO Ø30	1			•
	9.850-232.0	CRANKSHAFT SPTO Ø30	ALBERO SPTO Ø30	1		•	
41	9.850-450.0	CRANKSHAFT KEY	LINGUETTA	1			
42	9.851-457.0	EYEBOLT	GOLFARE	1			
43	9.853-617.0	OIL DIP STICK	TAPPO SFIATO OLIO	1			
44*		PLUNGER OIL SEAL	ANELLO RADIALE	1	E		
45	9.850-642.0	BEARING HOUSING	FLANGIA APERTA	1			
46*		PLUNGER INOX SCREW	VITE INOX PISTONE	3	D		
47*		BONDED SEAL	BONDED SEAL	3	D		
48*		PLUNGER	PISTONE	3	D		
49*		COPPER SPACER	ROSETTA PISTONE	3	D		
50*		PLUNGER ROD	ASTA GUIDA PISTONE	3	G		
51*		CONNECTING ROD PIN	SPINOTTO	3	G		
52*		CONNECTING ROD	BIELLA	3	G		
53*		SCHNORR WASHER	ROSETTA SCHNORR	6	G		
54*		CONNECTING ROD SCREW	VITE BIELLA	6	G		
55*		O-RING	O-RING	1	E	•	•
56	9.850-393.0	CRANKCASE COVER	COPERCHIO POSTERIORE	1			
57	9.851-474.0	COVER SCREW	VITE COPERCHIO	5			
58*		SIGHT GLASS G 3/4"	SPIA LIVELLO OLIO G3/4	1	E		
59*		BRASS PLUG G3/8"	TAPPO G3/8"	1	E		
60*		O-RING	O-RING	1	E		
61*		RED PIPE	TUBO ROSSO	4	H		
62*		FITTING	RACCORDO	6	H		
63	9.851-353.0	CUP	TAPPO	1			
64	9.853-516.0	SLEEVE	MANICOTTO VITE TESTATA	2			
65*		O-RING	O-RING	3	B		
66		"O" RING Ø1,78x17,17	"O" RING Ø1,78x17,17	2	I		
67		BONDED SEAL M22	BONDED SEAL M22	2	I		
68		BRASS PLUG M22x1	TAPPO OTTONE M22x1	1	I		
69		NIPPLE M-M M22x1 - G1/2	RACCORDO INOX M22x1 - G1/2	1	I		